

EN User manual

DE Benutzerhandbuch

FR Manuel d'utilisation

NL Gebruikershandleiding

IT Manuale dell'utente

ES Manual del usuario

DA Brugervejledning

NO Brukerhåndbok

3-in-1 electronic boiling water system

Elektronisches 3-in-1-System für kochendes Wasser

Système électronique d'ébullition de l'eau 3 en 1

3-in-1 elektronisch kokend watersysteem

Sistema elettronico per acqua bollente 3 in 1

Sistema electrónico de agua hirviendo 3 en 1

3-i-1 elektronisk vandkogningssystem

3-i-1 elektronisk kokesystem for vann



Support and Warranty page

Table of contents

About this manual	4
Safety information	4
Product information	6
System	6
Tap Active boiling 3-in-1 electronic	6
Hydraulic box	6
Filter	6
Boiler	7
Installation	8
General starting points for installation	8
Installation steps	8
Operation	8
Operation of boiler	8
Decommissioning boiler	9
Taking boiler out of service	9
Switching on for the first time	9
Tap operation	10
Operation of mixer lever	10
Operation of electronic knob	10
Filling mode	11
Filter operation and replacement	11
Selection of neutral LED intensity	12
Troubleshooting	12
Maintenance	14
General maintenance	14
Replacing the filter	15
Descaling tap aerator	15
Disposal	15



About this manual

This manual contains important information on the safe and proper installation and commissioning of the product.

FRANKE reserves the right to make modifications to the product without prior notice. All information correct at time of issuance.


- ▶ Carefully read the user manual before using the device.


- ▶ Keep the user manual.
- ▶ Use the device described in this user manual only according to the intended use.

Symbol	Meaning
	Warning symbol. Warning against risks of injury.
	Action step. Specifies an action to be done.


Safety information


General


 Install the product as described in this manual and in accordance with the applicable installation, safety and local water supply regulations!


 Do not use the product for purposes other than those for which it is intended as described in this manual.


 The product must not be modified.

 Only insert the plug into a grounded wall socket.


 This tap may be operated by children under the age of 12 and by persons with reduced physical, sensory or mental capacities, or who lack the necessary experience or knowledge, only under supervision or after being instructed in the safe use of the product and when they are aware of the hazards that may arise from the use of the product and/or system.


 Cleaning and maintenance by the user must not be performed by children or by persons with reduced physical, sensory or mental capacities, or who lack the necessary experience or knowledge, without supervision.


 Prevent children from playing with the product and/or system.


 This product and or system is intended for use in domestic and similar environments, such as:

- Staff kitchens in stores, offices and other working environments;
- By guests in hotels, motels and other similar residential environments;
- Bed and breakfast accommodation and other similar residential environments.

 Use in other environments in consultation with the manufacturer of the product and/or system.

 If the power lead with plug is damaged, it must be replaced by the manufacturer, the manufacturer's customer service or a qualified person in order to avoid electric shock.

 If necessary, lubricate O-rings only with silicone grease.

 In order to avoid freezing, the product may only be installed in frost-free rooms.

! Safety instructions must be observed in order to avoid physical injury and/or damage to the product and/or system.

! Maintenance instructions must be observed in order to avoid damage and excessive wear.

! As a result of the ongoing improvement of our products and/or systems, illustrations in this document may differ from the appliance as delivered.

! If available, you can download the latest version of the manual via our website: **www.franke.com**

! Franke cannot be held responsible for costs, damage or personal injury if the product is not operated in accordance with the instructions given in this manual.

! Tap and boiler model may differ from the model illustrated in the manual.

! **Caution:** Never use serrated tools in order to avoid damage. Where necessary, always use the appropriate tools for tightening the coupling.

Tap

! Avoid burns and scalding and pay attention when using hot water. The temperature of the hot water may be higher than 55°C.

! Avoid burns and scalding and pay attention when using boiling water. The temperature of the water may be higher than 100°C.

Boiler

! Before commissioning, ensure that the boiler is filled with water.

! Never pick up or carry the boiler with the hoses or the mains lead.

! The appliance must be connected always with the cold water supply.

! Before installation of the boiler make sure the pressure relieve valve outlet is 8 cm above the connection of the waste pipe.

! The drain hose must be connected with a continuous downwards gradient and a siphon must be made, therefore please note you may need to cut the drain hose.

Filter cartridge

! The use of a Franke filter is mandatory to protect the product against lime scale deposits. It is mandatory to change the filter based on the water hardness table.

! After storage at a temperature of 0°C, the filter must first be stored for 24 hours at room temperature before it is installed.

! The filter cartridge must not be opened or damaged.

! The filter cartridge and the system must be intensively flushed after a prolonged standstill period and/or during maintenance work (2 liters of flushing water after 1 week standstill; 10 liters of flushing water after 4 weeks' standstill).

! The filter cartridge must be replaced if, after commissioning, it has not been in operation for 3 months.

! Failure to replace your filter will invalidate your warranty.

Warranty

Scan the QR code to reach the Warranty guidelines:



Product information

System

Water supply pressure (min.)	100 kPa/14.5 psi/1 bar
Water supply pressure (max.)	500 kPa/72.5 psi/5 bar
Flow rate boiling water	2-4 l/min * 2.5 bar
Flow rate cold water	5-9 l/min *
Flow rate hot water	5-9 l/min *

* The flow rate varies, depending on the water supply pressure and the type of tap.

Water quality requirements

pH value	7-9.5
----------	-------

Tap Active boiling 3-in-1 electronic

Check the details in the "Installation manual" page 5.

Hydraulic box

Check the details in the "Installation manual" page 5.

Filter

Check the details in the "Installation manual" page 5.


Filter type	Franke Pro M
Diameter	95 mm
Height incl. Filter head	295 mm
Filter head	Bayonet / Separate part

Filter disposal residual waste

Decarbonization	Yes
Odors	Yes
Chlorine	Yes
Particles	Yes
Microplastics	Yes

Boiler

Check the details in the “Installation manual” page 6.

 **Warning:** Only vertical installation of the boiler is possible (on/off knob on the bottom).


Boiler	4 liters	7 litres
Dimensions [H x W]	340 x 229 mm	494 x 229 mm
Net weight	4.5 kg	5.5 kg
Contents	4 l	7 l
Voltage	220-240 V AC	220-240 V AC
Power	1650 W (+5%/-10%)	1650 W (+5%/-10%)
Load	9.2 A	9.2 A
Standby mode max.	14 W	14 W
IP classification	IPX4	IPX4
Storage temperature	<105°C	<105°C
Heating time [ΔT 100 K]	15 min	24 min
Operating pressure (max.)	800 kPa / 116 psi / 8 bar	800 kPa / 116 psi / 8 bar
Operating temperature:	0-40°C	0-40°C
Power supply EU:	Type E+F CEE 7/7 Schuko	Type E+F CEE 7/7 Schuko
Power supply UK:	Type G/ BS 1363 British 3 Pins	Type G/ BS 1363 British 3 Pins
Declared load profile and typical usage	XXS	XXS
Water heating energy efficiency class	A	A
Water heating energy efficiency	38.9%	39.6%
Annual electricity consumption	435 kWh	466 kWh
Thermostat temperature setting	103°C	103°C

Installation

General starting points for installation

Perform the following steps before starting installation.

1. Stop valves must already be installed.
2. If the water pressure is above the 5 bar, use a pressure reducing valve (3 bar).
3. Close the stop valves.
4. In existing installations, remove the tap, hoses and boiler if still in place.
5. Mark the existing cold and hot water connection.
6. There must be two wall plug sockets available for connection.

 Install the pressure relief valve as high as possible in the kitchen cabinet.

Installation steps

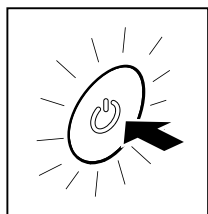
Check the details in the "Installation manual" pages 3-16.

1. Installing 3-in-1 tap (see page 7)
2. Installing filter (see page 8)
3. Installing pressure relief valve (see page 8)
4. Connecting drain hose (see page 9)
5. Installing boiler (see page 9)
6. Installing Hydraulic Box (see page 10)
7. Connecting Hydraulic Box (see page 10)
8. Activating Hydraulic Box (see page 11)
9. Flushing boiler (see page 11)
10. Activating boiler (see page 11)
11. Installing with WWS (see pages 12 and 13)
12. Installing with Bypass (see pages 14 and 15)
13. Commissioning (see page 11)

Operation

Operation of boiler

- ▶ Briefly pressing the ON/STANDBY button switches between the boiler modes ON and STANDBY.



ON: The LED is continuously red.

OFF: The LED is off.

When the boiler has been switched off for a week, we recommend that the following procedure is observed before use:

- ▶ Switch on boiler. Wait until the boiler water is up to temperature.
- ▶ Open the boiling water tap and flush the boiling water line until cold water comes out of the tap.



Caution: Ensure that the water does not atomise during flushing.

- ▶ Heat the boiler water again.

Decommissioning boiler

1. Remove the plug of the boiler from the wall plug socket.
2. Start the water flow on the electronic knob.
3. Wait until cold water runs out.
4. Stop the water flow on the electronic knob.
5. Close the stop valve.
6. Start the water flow on the electronic knob.
7. Wait until water no longer runs out.
8. Stop the water flow on the electronic knob.
9. Disconnect the hoses from the boiler.

10. Remove the boiler.

11. Allow the water from the hoses and the boiler to drain into the sink.

Taking boiler out of service

If you do not expect to need any boiling water for a prolonged period, such as during holidays, you can switch off the boiler (temporarily):

- ▶ Use the boiler STANDBY mode, or remove the plug from the wall plug socket to prevent heating of the boiler.

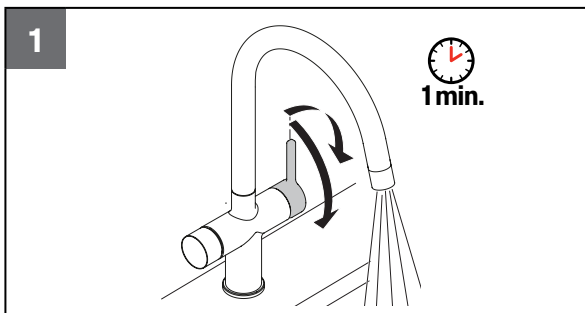
Switching on for the first time



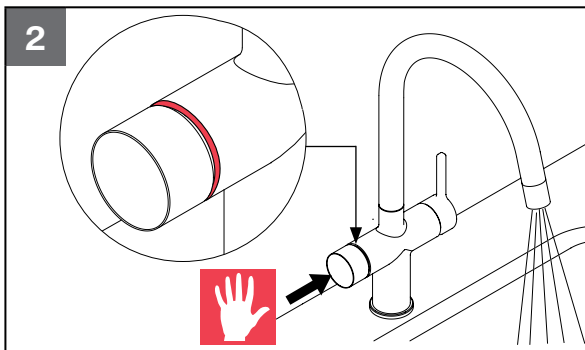
Ensure that the boiler is filled with water!

Boiler

1. Operate the mixer tap and flush with warm water for 1 minute (fig. 1).

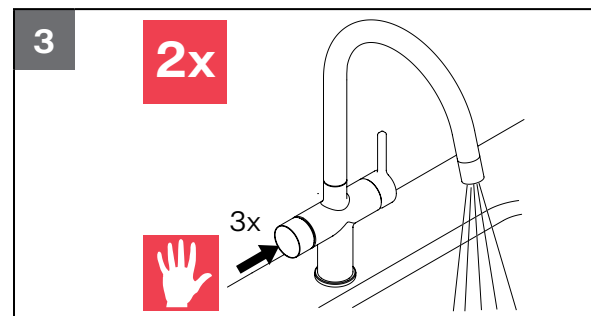


2. Activate the electronic knob and select the boiling water (red LED) (fig. 2).



3. Press the electronic knob 3 times. Repeat this step twice to ensure the boiler is flushed and full of water (fig. 3). The system will be flushed. It is normal that at the beginning of the flushing mode air comes out.

When there is a smooth laminar flow out of the tap, the system is properly flushed.



4. Switch on the boiler.
5. Inspect the installation for leaks after commissioning.

Water reaches boiling temperature after approximately 15 minutes.



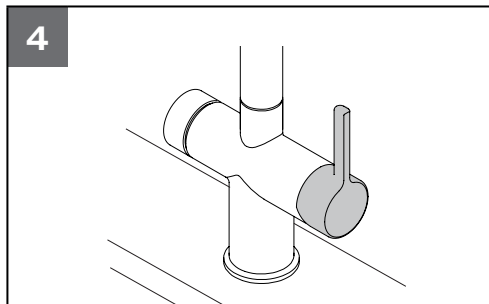
Warning: If during heating, no expansion water has escaped via safety group (black pressure valve) after 10 minutes switch off the power supply immediately and turn on the boiling water tap to relieve the water pressure.

- ▶ The boiler is heated up when the ON/STANDBY button has a steady red light.
6. To clean the tank activate the boiling water tap until cold water runs out.

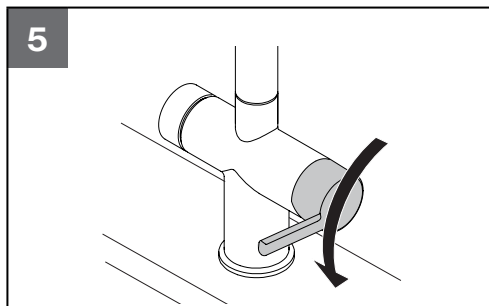
Tap operation

Operation of mixer lever

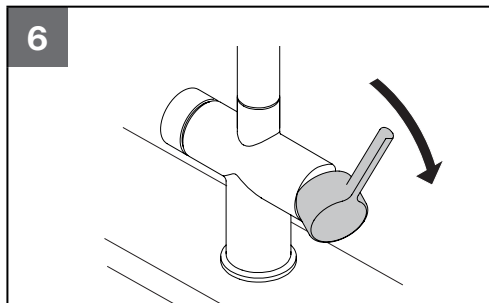
- ▶ Select hot water (fig. 4).



- ▶ Select cold water (fig. 5).

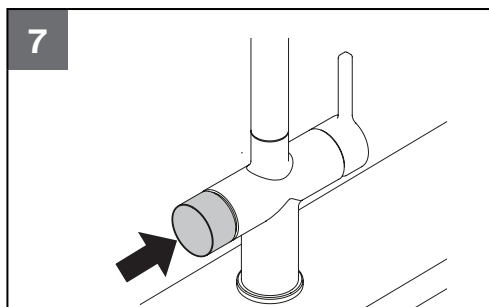


- ▶ Turn on mixer tap (fig. 6).

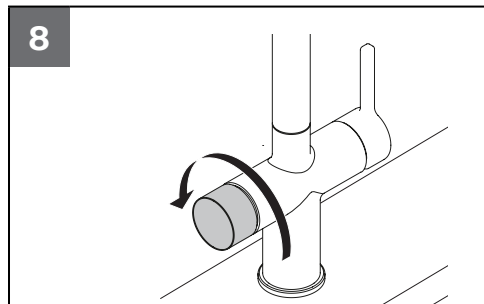


Operation of electronic knob

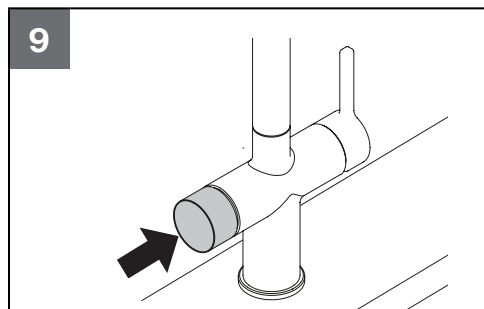
- ▶ Activate tap: Press briefly 1x (fig. 7).



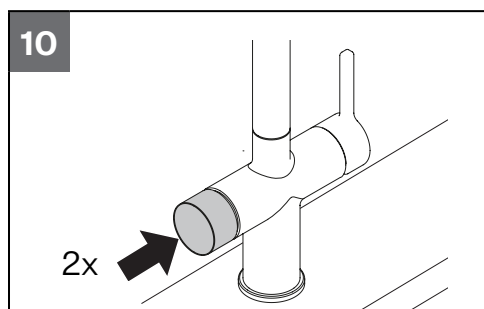
- ▶ Press and turn backwards to activate the boiling water selection (fig. 8).



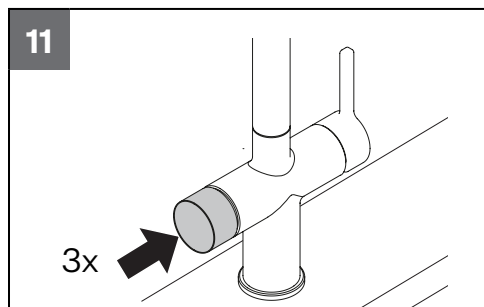
- ▶ For continuous boiling water: Hold selector knob pressed (fig. 9).
Deactivate: Release the knob.



- ▶ Filling mode short: Press briefly 2x (fig. 10).
Stops automatically.
Deactivate: Press briefly 1x.



- ▶ Filling mode long: Press briefly 3x (fig. 11).
Stops automatically.
Deactivate: Press briefly 1x.



- ▶ Hold the object to be filled close to the tap so that the object surrounds the delivery opening of the tap. This will prevent (hot) water from splashing.
- ▶ For the optimum result when making coffee or tea, allow around 1 cup of water to run out before using the tap. In this way the air bubbles in the water disappear so that no foam forms on the surface of the tea.

Filling mode

- ▶ Press 2x briefly for Pan filling.
Pan filling: Boiling water (red) = 30 sec. flow
- ▶ Press 3x briefly for Pan filling.
Pan filling: Boiling water (red) = 60 sec. flow

Filter operation and replacement


1. Press and hold the electronic knob (in the neutral positioning) for 10 seconds.
2. Turn the electronic knob backwards to select the correct colour from the table on next page, based on the water hardness in your area. Press and hold the electronic knob for 2 seconds. The LED flash 3 times for confirmation and go back in to the neutral position.

The LED in the neutral position reminds you 1 month in advance that the filter needs to be replaced. The LED in the neutral mode switch from white to orange.

If the filter reached the expire date the orange LED starts to pulsate until the filter has been replaced.

Slowly turn the used filter from the filterhead. During this process, the water supply line is hydraulically disconnected from the filter head and the system is depressurised; it may happen that pressure peaks, a small amount of pressure-relief water may escape from the filter head. Please note this and place an appropriate container underneath.

After the filter replacement, repeat step 1 and 2. If you registered your system you will get a reminder via email.

 The use of a Franke filter is mandatory to protect the product against lime scale deposits. It is mandatory to change the filter based on the water hardness table.

Water hardness	LED colour
<10°dh	light blue
10-15°dh	yellow
15-20°dh	light green
>20°dh	purple

Filter flushing	
After 1 week stagnation	2 litres
After 2 weeks stagnation	10 litres
After 8 weeks stagnation	The filter must be replaced.

Water hardness	Filter lifetime
<10°dH*	12 months
10-15°dH	10 months
15-20°dH	8 months
>20°dH	6 months

* default setting

Selection of neutral LED intensity

After 60 seconds of not using the tap it will switch automatically into the sleeping mode status, 50% LED intensity.

To change the sleeping mode setting you have to follow the below instruction.

1. Activate the tap by pressing the electronic knob once.
2. Press the electronic knob 5 times.
3. The LED start flashing.
4. Turn the knob to the preferred setting by turning the knob front or backwards:
 1. 50% intensity, default,
 2. 10% intensity,
 3. Switched off fully.
5. After the selection press the electronic knob for 2 seconds to confirm. The tap flashes 3 times for confirmation.

Troubleshooting

Boiler messages

LED colour	LED action	Description
Blue	Blinking	Boiler does not have water.
Blue	Steady	Commissioning/system self-check.
Orange	Blinking	System failure; contact Franke service.
Red	Blinking	Boiler is heating up.
Red	Steady	Boiler is fully heated.

Tap messages

LED colour	LED action	Function	Description
Red	Steady	Boiling water	Selection of boiling water is possible.
Red	Rotating	Selection of boiling water is ongoing.	Selection of boiling water is ongoing.
Orange	Steady	Filter	Filter cartridge is almost finished and must be replaced within one month.
Orange	Pulsating	Filter	Filter has been used up and needs to be replaced direct.

Electronic knob does not respond

Cause	Remedy
Software problem.	Disconnect the power supply for at least 10 seconds.
The cable connector of the tap is not correctly connected.	Plug the cable connector securely.
The wall plug socket has no power supply.	Check the electricity supply. The electricity group has failed due to an excessive load. The boiler cannot be connected to the same electricity group as a dishwasher.
The cable or connector of the tap is damaged or defective.	Contact Franke.

Water leaks

Cause	Remedy
Connection leaking	Inspect the coupling(s) and re tighten, if necessary.
Hose(s) leaking	Inspect the hose(s) and replace the leaking hose(s).
Boiler leaking	Remove the plug of the boiler from the wall plug socket. Shut off the water supply. Contact Franke.
Tap leaking	Shut off the water supply. Contact Franke.

Tap supplies no water

Cause	Remedy
Hose(s) kinked.	Inspect the hose(s) and straighten the kinked hose(s).
The main water valve is closed.	Open the main water valve.
The stop valve in the kitchen cabinet is closed.	Open the stop valve.

Tap supplies no boiling water

Cause	Remedy
Hose(s) kinked.	Inspect the hose(s) and straighten the kinked hose(s).
PRV is closed.	Open by turning the knob.
Filter not or not correctly installed.	Ensure filter is locked in. Turn out and turn back again.
Electronic knob not connected with socket.	Ensure electrical connections are connected.

Tap supplies no warm water

Cause	Remedy
Hose(s) kinked.	Inspect the hose(s) and straighten the kinked hose(s).
Boiler not functioning.	See table "The water from the tap is not boiling".
Warm water appliance not functioning.	Consult the manual of your warm water appliance, warm water support or Bypass.

The water from the tap is not boiling

Cause	Remedy
The plug of the boiler has not been inserted into a wall plug socket.	Insert the plug into an earthed wall plug socket.
The wall plug socket has no power supply.	Check the electricity supply. The electricity circuit has failed due to an excessive load. The boiler cannot be connected to the same electricity circuit as a dishwasher.
The boiler is OFF (standby mode).	Switch the boiler ON.
The boiler has not heated up completely.	Wait until the boiler has heated up.
The boiler is defective.	Contact Franke.

The boiler causes a short-circuit

Cause	Remedy
There is a short-circuit in the electric wiring or the heater element of the boiler.	Remove the plug of the boiler from the wall plug socket. Contact Franke.
No water in the boiler. Led is blinking blue.	Fill the boiler with water.

If you can't manage your malfunction or defect please contact the Franke service desk, installer or retailer.

Maintenance

General maintenance

- ▶ Clean the tap only with Franke tap cleaner. Visit our Franke webshop.
- ▶ Do not use cleaning agents containing a solvent or acid, such as lime scale removers, household vinegar or cleaning agents with acetic acid. These substances damage the surface. The tap will become matt and scratched.
- ▶ Lime scale deposits can be prevented by drying the tap after use.
- ▶ If lime scale deposits nevertheless occur, remove these using a citric acid-based cleaning agent.
- ▶ Always use original Franke parts for maintenance or repair. This guarantees the safety and proper function of the product and safeguards any warranty claims.
- ▶ Replacement or repair of parts may only be carried out by Franke Service.

Replacing the filter

- ▶ Turn filter clock wise to remove from filter head.
- ▶ Turn new filter anti clock wise to install. Reset the filter setting - see page 16 in the "Installation manual" (filter installation).
- ▶ The filter head has an integrated auto shut off water valve. No need to isolate water supply to change filter.

Descaling tap aerator

- ▶ **Always use a citric acid-based descaling agent.** Other substances will damage the material!
- ▶ Loosening and tightening can be made easier by wrapping an elastic band around the sleeve of the tap aerator. Take care that the sleeve of the tap aerator is not damaged by the use of tools.
- ▶ Over the course of time, lime scale deposits will appear on and alongside the tap aerator.
- ▶ Unscrew the sleeve of the tap aerator.
- ▶ Clean the tap aerator using a suitable descaling agent.
- ▶ Place the tap aerator into the sleeve.
- ▶ Place the gasket onto the tap aerator and screw on the sleeve finger-tight.

Check the details in the "Installation manual" page 15.

Disposal



The symbol on the product or on the packaging indicates that the device must not be disposed of in the domestic waste.

By disposing of the device in a proper way you help to avoid harmful consequences to environment and health.

Further information about recycling the device is available from the competent authority, the local refuse disposal service or the vendor of the device.

Dispose of the device, which is to be discarded, via a specialised waste collection point for electronic and electrical devices.

In accordance with the article of Legislative Decree no. 15 dated 25 July, Implementation of Directive 2002/96/EC regarding the reduction of the hazardous substances used in electrical and electronic appliances and in waste disposal.

The barred dustbin symbol on the appliance indicates that at the end of its working life the product must not be disposed of as household waste.

Consequently, when the appliance has reached the end of its working life the user must take it to a suitable recycling centre for electronic and electrotechnical waste, or return it to the dealer when purchasing a new appliance of equivalent type.

Proper separate waste collection of the scrapped appliance for subsequent recycling, treatment and environmentally-friendly disposal helps prevent a potentially negative impact on the environment and health and facilitates recycling of the materials used in appliance construction.

Inhaltsverzeichnis

Zu diesem Handbuch	18
Sicherheitshinweise	18
Produktinformationen	20
System	20
Elektronische Armatur	20
Hydraulikbox	20
Filter	20
Boiler	21
Installation	22
Allgemeine Installationshinweise	22
Installationsschritte	22
Bedienung	22
Bedienung des Boilers	22
Boiler deinstallieren	22
Boiler außer Betrieb nehmen	23
Erstmalige Inbetriebnahme	23
Bedienung der Armatur	24
Bedienung des Mischhebels	24
Bedienung des elektronischen Knopfes	24
Füllmodi	25
Filterinstallation, Einstellung und Austausch	25
Einstellung der LED im Ruhemodus	26
Störungsbehebung	26
Pflege	29
Allgemeine Pflege	29
Filteraustausch	29
Entkalkung des Perlators	30
Entsorgung	30


Zu diesem Handbuch

Dieses Handbuch enthält wichtige Informationen zur sicheren und sachgemäßen Installation und Inbetriebsetzung des Produkts.

FRANKE behält sich das Recht vor, Änderungen am Produkt ohne vorherige Ankündigung vorzunehmen. Alle Informationen waren zum Zeitpunkt der Veröffentlichung korrekt.


- ▶ Lesen Sie das Benutzerhandbuch durch, bevor Sie das Gerät benutzen.


- ▶ Bewahren Sie das Benutzerhandbuch auf.
- ▶ Benutzen Sie das in diesem Benutzerhandbuch beschriebene Gerät nur zweckgemäß.

Symbol	Bedeutung
	Warnzeichen. Warnung vor Verletzungsgefahren.
▶	Handlung. Hier müssen Sie etwas tun.


Sicherheitshinweise


Allgemein


 Wenn Sie das Produkt installieren, gehen Sie nach der Anleitung in diesem Handbuch vor und halten Sie geltende Vorschriften ein, die sich auf Installation, Sicherheit und lokale Wasserversorgung beziehen.


 Setzen Sie das Produkt nur für den vorgesehenen Zweck entsprechend der Beschreibung in diesem Handbuch ein.


 Das Produkt darf nicht verändert werden.

 Stecken Sie den Stecker nur in eine geerdete Steckdose.


 Diese Armatur darf von Kindern unter 12 Jahren nicht bedient werden. Personen, deren physische, sensorische oder geistige Fähigkeiten eingeschränkt sind oder die nicht über die erforderlichen Erfahrungen oder Kenntnisse verfügen, dürfen dieses Produkt und/oder System nur bedienen, sofern sie dabei beaufsichtigt werden oder in deren sicherer Nutzung unterwiesen wurden und sich der Gefahren bewusst sind, welche mit dem Gebrauch verbunden sind.


 Kinder oder Personen, deren physische, sensorische oder geistige Fähigkeiten eingeschränkt sind oder die weder die erforderlichen Erfahrungen noch Kenntnisse aufweisen, dürfen unbeaufsichtigt weder Reinigungs- noch Wartungsarbeiten durchführen.

 Halten Sie Kinder davon ab, mit dem Produkt und/oder System zu spielen.


 Dieses Produkt und/oder System sind für den Gebrauch im Haushalt sowie ähnlichen Umgebungen vorgesehen, wie beispielsweise:


- Personalküchen in Geschäften, Büros und anderen Arbeitsumgebungen;
- Bedienung durch Gäste in Hotels, Motels und anderen ähnlichen Wohnumgebungen;
- Gästehäuser und andere ähnliche Wohnumgebungen.


 Verwendung in anderen Umgebungen in Absprache mit dem Hersteller des Produkts und/oder Systems.


 Falls das Netzkabel mit Stecker beschädigt ist, muss es vom Hersteller, vom Kundendienst des Herstellers oder von einer anderen Person mit entsprechender


Qualifikation ersetzt werden, um jegliche Stromschlaggefahr zu vermeiden.


 Sofern erforderlich, schmieren Sie O-Ringe nur mit Silikonfett.


 Das Produkt darf ausschließlich in frostfreien Räumen installiert werden, um ein Einfrieren zu vermeiden.


 Sicherheitsanweisungen müssen eingehalten werden, um Verletzungen und/oder Schäden am Produkt und/oder System zu vermeiden.


 Wartungsanweisungen müssen eingehalten werden, um Schäden zu vermeiden.

 Da unsere Produkte und/oder Systeme ständig verbessert werden, können sich Abbildungen in diesem Dokument möglicherweise vom ausgelieferten Produkt/System.


 Auf www.franke.com stehen die stetig aktualisierten Unterlagen zum Herunterladen bereit.


 Franke haftet nicht für Kosten, Schäden oder Verletzungen, wenn das Produkt nicht gemäß den Anweisungen in diesem Handbuch betrieben wird.

 Armatur- und Boilermodell unterscheiden sich möglicherweise von dem im Handbuch abgebildeten Modell.


 **Vorsicht:** Verwenden Sie keine gezahnten Werkzeuge, um Beschädigungen zu vermeiden. Verwenden Sie stets geeignete Werkzeuge zum Festziehen der Kupplung, sofern erforderlich.


Armatur


 Achten Sie darauf, sich nicht zu verbrennen oder zu verbrühen, und gehen Sie mit Warmwasser vorsichtig um. Die Temperatur des Warmwassers kann 55 °C übersteigen.


 Achten Sie darauf, sich nicht zu verbrennen oder zu verbrühen, und gehen Sie mit kochendem Wasser vorsichtig um. Die Temperatur des kochendes Wasser liegt bei 100 °C übersteigen.


Boiler

 Vergewissern Sie sich vor der Inbetriebsetzung, dass der Boiler mit Wasser gefüllt ist.


 Nehmen Sie den Boiler niemals zusammen mit den Schläuchen oder dem Netzkabel ab, und transportieren Sie ihn auch nicht damit.


 Das Gerät muss immer an eine Kaltwasserversorgung angeschlossen werden.


 Stellen Sie vor der Installation des Boilers sicher, dass sich der Auslass des Überdruckventils 8 cm über dem Anschluss der Schmutzwasserleitung befindet.

 Ablaufschlauch des Überdruckventils muss ein konstantes Gefälle aufweisen. Zum Anschluss des Schlauches an die Ablaufgarnitur muss der Schlauch ggf. gekürzt werden.

Filter

 Ein Franke Filter muss unbedingt verwendet werden, um das Produkt vor Kalkablagerungen zu schützen. Der Filter muss unbedingt anhand der Wasserhärte-tabelle gewechselt werden.

 Nachdem der Filter bei einer Temperatur von 0 °C gelagert wurde, muss er vor der Installation zunächst über einen Zeitraum von 24 Stunden bei Raumtemperatur aufbewahrt werden.

 Die Filterpatrone darf nicht geöffnet oder beschädigt sein.

⚠ Die Filterpatrone und das System müssen nach längerer Stillstandszeit und/oder bei Wartungsarbeiten intensiv gespült werden (2 Liter Spülwasser nach 1 Woche Stillstand; 10 Liter Spülwasser nach 4 Wochen Stillstand).

⚠ Die Filterpatrone muss ausgetauscht werden, wenn sie nach der Inbetriebsetzung 3 Monate lang nicht verwendet wurde.

⚠ Wenn Sie Ihren Filter nicht austauschen, erlischt Ihre Garantie.

Garantie

Scannen Sie den QR-Code, um die Garantiebestimmungen aufzurufen:



Produktinformationen

System

Wasserversorgungsdruck (min.)	100 kPa / 14,5 psi / 1 bar
Wasserversorgungsdruck (max.)	500 kPa / 72,5 psi / 5 bar
Durchfluss kochendes Wasser	2-4 l/min * 2,5 bar
Durchfluss Kaltwasser	5-9 l/min *
Durchfluss Warmwasser	5-9 l/min *

* Der Durchfluss schwankt abhängig vom Wasserversorgungsdruck und Armaturtyp.

Anforderungen an die Wasserqualität

pH-Wert	7-9,5
---------	-------

Elektronische Armatur

Elektronische 3 in 1 Active Armatur für den Kochendwasserbezug, J-Auslauf

Details hierzu finden Sie im „Installationshandbuch“ Seite 5.

Hydraulikbox

Details hierzu finden Sie im „Installationshandbuch“ Seite 5.

Filter

Details hierzu finden Sie im „Installationshandbuch“ Seite 5.


Filtertyp	Franke Pro M
Durchmesser	95 mm
Höhe inkl. Filterkopf	295 mm
Filterkopf	Bajonett / separates Teil

Filterentsorgung im Restmüll

Dekarbonisierung	Ja
Gerüche	Ja
Chlor	Ja
Partikel	Ja
Mikroplastik	Ja

Boiler

Details hierzu finden Sie im „Installationshandbuch“ Seite 6.

 **Warnung:** Es ist nur eine vertikale Installation des Boilers möglich (Ein-/Aus-Knopf an der Unterseite).


Boiler	4 Liter	7 Liter*
Abmessungen [H x B]	340 x 229 mm	494 x 229 mm
Nettogewicht	4,5 kg	5,5 kg
Boilervolumen	4 l	7 l
Spannung	AC 220-240 V	AC 220-240 V
Leistung	1650 W (+5%/-10%)	1650 W (+5%/-10%)
Last	9,2 A	9,2 A
Standby-Modus max.	14 W	14 W
IP-Schutzklasse	IPX4	IPX4
Lagertemperatur	<105 °C	<105 °C
Heizzeit [ΔT 100 K]	15 min	24 min
Betriebsdruck (max.)	800 kPa / 116 psi / 8 bar	800 kPa / 116 psi / 8 bar
Betriebstemperatur	0-40 °C	0-40 °C
Stromversorgung EU	Typ E+F CEE 7/7 Schuko	Typ E+F CEE 7/7 Schuko
Stromversorgung UK	Typ G/BS 1363 British 3 Pins	Typ G/BS 1363 British 3 Pins
Deklariertes Lastprofil und typische Anwendung	XXS	XXS
Energieeffizienzklasse der Warmwasserbereitung	A	A
Energieeffizienz der Warmwasserbereitung	38,9%	39,6%
Jährlicher Stromverbrauch	435 kWh	466 kWh
Temperatureinstellung des Thermostats	103 °C	103 °C

Installation

Allgemeine Installationshinweise

Gehen Sie wie folgt vor, bevor Sie mit der Installation beginnen.

1. Absperrventile müssen bereits montiert sein.
2. Wenn der Wasserdruck über 5 bar liegt, verwenden Sie ein Druckminderventil (3 bar).
3. Schließen Sie die Absperrventile.
4. Demontieren Sie bei bestehenden Installationen die Armatur, die Schläuche und den Boiler, sofern sie noch vorhanden sind.
5. Kennzeichnen Sie den vorhandenen Kalt- und Warmwasseranschluss.
6. Es müssen zwei Wandsteckdosen zum Anschluss vorhanden sein.

 Installieren Sie das Überdruckventil möglichst hoch im Küchenschrank.

Installationsschritte

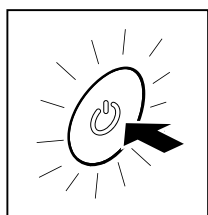
Details hierzu finden Sie im „Installationshandbuch“ Seiten 3–16.

1. 3-in-1-Armatur installieren (siehe Seite 7)
2. Filter installieren (siehe Seite 8)
3. Überdruckventil installieren (siehe Seite 8)
4. Ablaufschlauch anschließen (siehe Seite 9)
5. Boiler installieren (siehe Seite 9)
6. Hydraulikbox installieren (siehe Seite 10)
7. Hydraulikbox anschließen (siehe Seite 10)
8. Hydraulikbox aktivieren (siehe Seite 11)
9. Boiler spülen (siehe Seite 11)
10. Boiler aktivieren (siehe Seite 11)
11. Installation mit WWS (siehe Seite 12 und 13)
12. Installation mit Bypass (siehe Seite 14 und 15)
13. In Betrieb nehmen (siehe Seite 11)

Bedienung

Bedienung des Boilers

- ▶ Durch kurzes Betätigen der Taste ON/STANDBY wird der Boiler zwischen den Betriebsarten ON und STANDBY umgeschaltet.



ON: Die LED leuchtet dauerhaft rot.

OFF: Die LED ist aus.

Wenn der Boiler eine Woche lang ausgeschaltet war, empfehlen wir, vor der erneuten Verwendung folgendermaßen vorzugehen:

- ▶ Schalten Sie den Boiler ein. Warten Sie, bis der Boiler sich aufgeheizt hat.
- ▶ Öffnen Sie die Armatur für kochendes Wasser und spülen Sie die Leitung für kochendes

Wasser so lange, bis kaltes Wasser aus der Armatur austritt.



Vorsicht: Achten Sie darauf, dass das Wasser beim Spülen nicht verdampft.

- ▶ Heizen Sie das Wasser im Boiler erneut auf.

Boiler deinstallieren

1. Ziehen Sie den Stecker des Boilers aus der Wandsteckdose.
2. Starten Sie mit dem elektronischen Knopf den Wasserfluss.
3. Warten Sie, bis kaltes Wasser aus dem Auslauf austritt.
4. Stoppen Sie mit dem elektronischen Knopf den Wasserfluss.
5. Schließen Sie das Absperrventil.
6. Starten Sie mit dem elektronischen Knopf den Wasserfluss.
7. Warten Sie, bis kein Wasser mehr austritt.


8. Stoppen Sie mit dem elektronischen Knopf den Wasserfluss.
9. Trennen Sie die Schläuche vom Boiler.
10. Bauen Sie den Boiler aus.
11. Lassen Sie das Wasser aus den Schläuchen und dem Boiler in die Spüle ablaufen.

Boiler außer Betrieb nehmen

Wenn für längere Zeit kein kochendes Wasser benötigt wird, z. B. während des Urlaubs, können Sie den Boiler (vorübergehend) ausschalten:

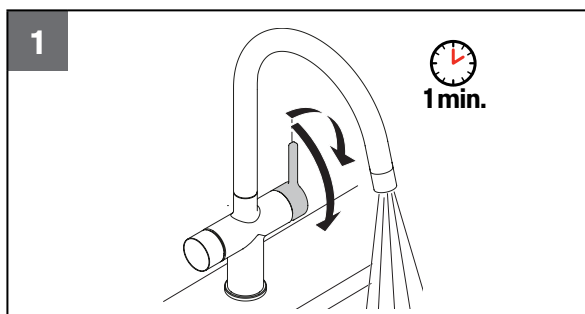
- ▶ Verwenden Sie dazu den STANDBY-Modus oder ziehen Sie den Stecker aus der Wandsteckdose, um ein Aufheizen des Boilers zu verhindern.

Erstmalige Inbetriebnahme

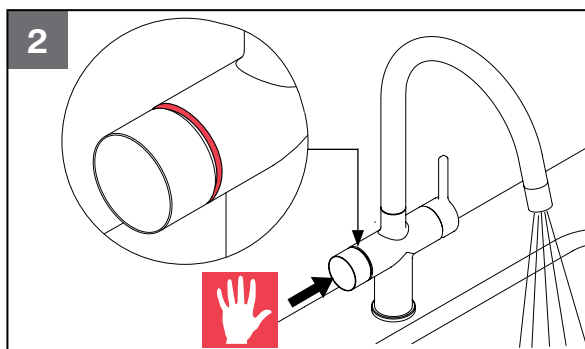
 Vergewissern Sie sich, dass der Boiler mit Wasser gefüllt ist!

Boiler

1. Betätigen Sie die Mischarmatur und spülen Sie 1 Minute lang mit warmem Wasser (Abb. 1).

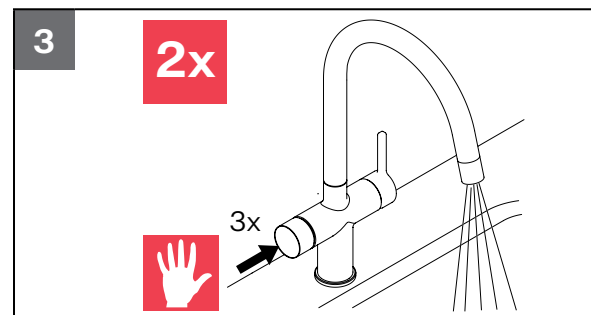


2. Betätigen Sie den elektronischen Knopf und wählen Sie kochendes Wasser (rote LED) (Abb. 2).




3. Drücken Sie den elektronischen Knopf 3 Mal. Wiederholen Sie diesen Schritt zweimal, um sicherzustellen, dass der Boiler gespült und mit Wasser gefüllt ist. Das System wird gespült. Es ist normal, dass zu Beginn des Spülvorgangs Luft austritt. Wenn ein

gleichmäßiger Laminarstrahl aus der Armatur austritt, ist das System ordnungsgemäß gespült.



4. Schalten Sie den Boiler ein.
5. Prüfen Sie die Installation nach der Inbetriebsetzung auf Undichtigkeiten.

Nach ca. 15 Minuten ist das Wasser im Boiler aufgeheizt.

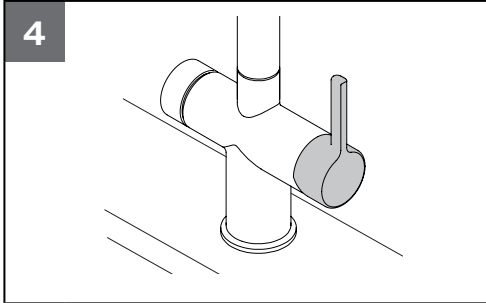
 **Warnung:** Wenn beim Erhitzen nach 10 Minuten kein Ausdehnungswasser über die Sicherheitsgruppe (schwarzes Druckventil) austritt, schalten Sie sofort die Stromversorgung ab und drehen Sie die Armatur für kochendes Wasser auf, um den Wasserdruck zu entlasten.

- ▶ Wenn die Taste ON/STANDBY im Dauerlicht rot leuchtet, ist der Boiler aufgeheizt.
6. Wählen Sie zum Spülen des Tanks die Armatur für kochendes Wasser, bis kaltes Wasser austritt.

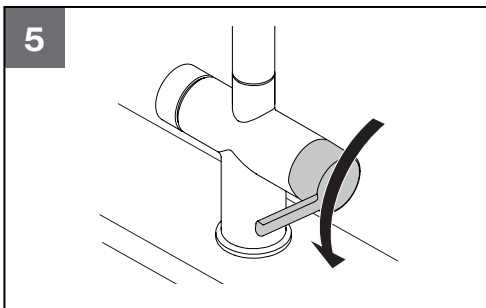
Bedienung der Armatur

Bedienung des Mischhebels

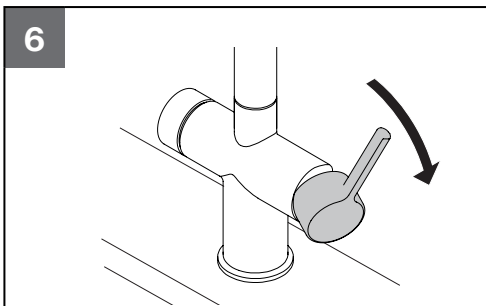
- ▶ Wählen Sie Warmwasser (Abb. 4).



- ▶ Wählen Sie Kaltwasser (Abb. 5).

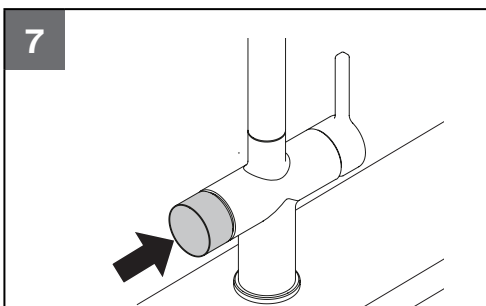


- ▶ Öffnen Sie die Mischarmatur (Abb. 6).

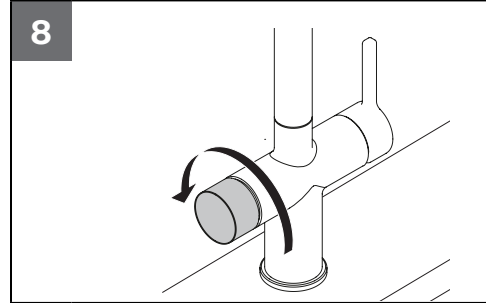


Bedienung des elektronischen Knopfes

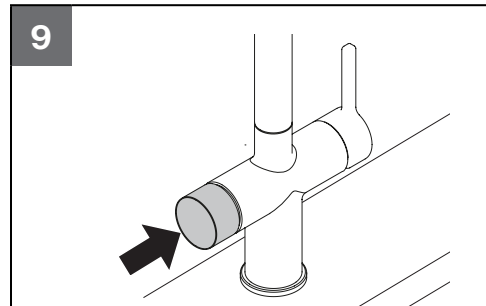
- ▶ Armatur aktivieren: Drücken Sie den Auswahlknopf 1x kurz (Abb. 7).



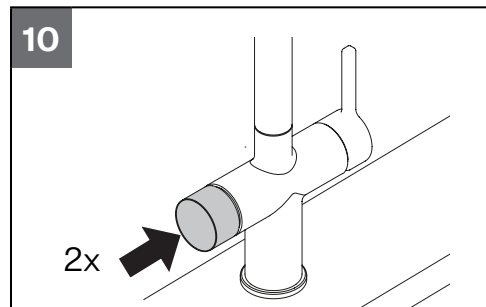
- ▶ Drücken und drehen Sie ihn nach hinten (dies aktiviert die Auswahl für kochendes Wasser, Abb. 8).



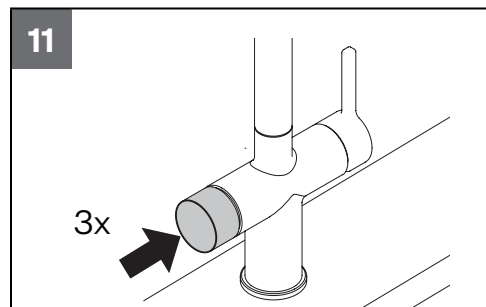
- ▶ Für durchgehend kochendes Wasser: Halten Sie den Auswahlknopf gedrückt (Abb. 9). Deaktivieren: Lassen Sie den Knopf aus.



- ▶ Füllmodus kurz: Drücken Sie den Auswahlknopf 2x kurz (Abb. 10). Die Ausgabe wird automatisch gestoppt. Deaktivieren: 1x den Auswahlknopf drücken.



- ▶ Füllmodus lang: Drücken Sie den Auswahlknopf 3x kurz (Abb. 11). Die Ausgabe wird automatisch gestoppt. Deaktivieren: 1x den Auswahlknopf drücken.



- ▶ Halten Sie das Gefäß, das gefüllt werden soll, so nahe wie möglich an die Armatur, sodass sich der Auslauf im Gefäß befindet. Auf diese Weise verhindern Sie, dass (warmes) Wasser verspritzt wird.
- ▶ Beim Kochen von Kaffee oder Tee erzielen Sie optimale Ergebnisse, wenn Sie ungefähr 1 Tasse Wasser laufen lassen, bevor Sie die Armatur verwenden. Auf diese Weise verschwinden die Luftblasen aus dem Wasser, sodass sich kein Schaum auf der Oberfläche des Tees bilden kann.

Füllmodi

- ▶ Drücken Sie zum Topffüllen den Auswahlknopf 2x kurz.
Topffüllen: kochendes Wasser (rot) = 30 Sekunden langer Wasserfluss
- ▶ Drücken Sie zum Topffüllen den Auswahlknopf 3x kurz.
Topffüllen: kochendes Wasser (rot) = 60 Sekunden langer Wasserfluss

Filterinstallation, Einstellung und Austausch

1. Halten Sie den elektronischen Knopf (in Neutralstellung) 10 Sekunden lang gedrückt.
2. Drehen Sie den elektronischen Knopf nach hinten, um basierend auf der Wasserhärte in Ihrer Region die richtige Farbe aus der Tabelle auf der nächsten Seite auszuwählen. Halten Sie den elektronischen Knopf 2 Sekunden lang gedrückt. Die LED blinkt 3 Mal zur Bestätigung und schaltet dann wieder auf Neutralmodus um.

Die LED im Neutralmodus erinnert Sie 1 Monat im Voraus, dass der Filter ausgetauscht werden muss. Die LED im Neutralmodus wechselt von Weiß auf Orange.

Wenn der Filter das Ablaufdatum erreicht hat, beginnt die orange LED zu pulsieren, bis der Filter ausgetauscht wurde.

Drehen Sie den gebrauchten Filter langsam vom Filterkopf ab.

Dabei wird die Wasserzuleitung hydraulisch vom Filterkopf getrennt und der Druck im System herabgesetzt. Bei der Entnahme des Filters, tritt eine kleine Menge Wasser aus dem Filterkopf aus.

Bitte beachten Sie dies und platzieren Sie einen entsprechenden Behälter darunter.

Wiederholen Sie nach dem Filteraustausch Schritt 1 und 2.

Wenn Sie Ihr System registriert haben, erhalten Sie eine Erinnerung per E-Mail.



Ein Franke Filter muss unbedingt verwendet werden, um das Produkt vor Kalkablagerungen zu schützen. Der Filter muss unbedingt anhand der Wasserhärte-tabelle gewechselt werden.

Wasserhärte	LED-Farbe
<10 °dH	Hellblau
10-15 °dH	Gelb
15-20 °dH	Hellgrün
>20 °dH	Lila

Spülung des Filters

Nach 1 Woche Stagnation	2 Liter
Nach 2 Wochen Stagnation	10 Liter
Nach 8 Wochen Stagnation	Der Filter muss ausgetauscht werden.

Wasserhärte	Lebensdauer des Filters
<10 °dH*	12 Monate
10-15 °dH	10 Monate
15-20 °dH	8 Monate
>20 °dH	6 Monate

* Standardeinstellung

Einstellung der LED im Ruhemodus

Wird die Armatur 60 Sekunden lang nicht betätigt, schaltet sie automatisch in den Schlafmodus mit 50% LED-Intensität um. Führen Sie folgende Schritte aus, um die Einstellung des Schlafmodus zu ändern:

1. Betätigen Sie die Armatur, indem Sie einmal auf den elektronischen Knopf drücken.
2. Drücken Sie den elektronischen Knopf 5 Mal.
3. Die LED beginnt zu blinken.
4. Drehen Sie den Knopf nach vorne oder nach hinten auf die gewünschte Einstellung:
 1. 50% Intensität, Standardeinstellung
 2. 10% Intensität
 3. vollständig ausgeschaltet
5. Drücken Sie nach der Auswahl zur Bestätigung den elektronischen Knopf 2 Sekunden lang. Zur Bestätigung blinkt die Armatur 3 Mal.

Störungsbehebung

Boilermeldungen

LED-Farbe	LED-Verhalten	Beschreibung
Blau	Blinkt	Kein Wasser im Boiler
Blau	Leuchtet	Inbetriebnahme/Selbsttest des Systems
Orange	Blinkt	Systemfehler; Franke-Service kontaktieren
Rot	Blinkt	Boiler heizt auf
Rot	Leuchtet	Boiler ist voll aufgeheizt

Armaturmeldungen

LED-Farbe	LED-Verhalten	Funktion	Beschreibung
Rot	Leuchtet	Kochendes Wasser	Bezug von kochendem Wasser ist möglich.
Rot	Rotierend	Bezug von kochendem Wasser ist im Gange	Bezug von kochendem Wasser ist im Gange.
Orange	Leuchtet	Filter	Filterpatrone ist nahezu verbraucht und muss binnen eines Monats ausgetauscht werden.
Orange	Pulsierend	Filter	Filter ist gesättigt und muss direkt ausgetauscht werden.

Elektronischer Knopf reagiert nicht

Ursache	Behebung
Softwareproblem.	Trennen Sie die Stromversorgung mindestens 10 Sekunden lang.
Der Netzstecker der Armatur ist nicht richtig angeschlossen.	Stecken Sie den Netzstecker fest ein.
Die Wandsteckdose wird nicht mit Strom versorgt.	Prüfen Sie die Stromversorgung. Der Stromkreis ist aufgrund übermäßiger Last ausgefallen. Der Boiler kann nicht an denselben Stromkreis wie ein Geschirrspüler angeschlossen werden.
Das Kabel oder der Stecker der Armatur ist beschädigt oder defekt.	Wenden Sie sich an Franke.

Wasserlecks

Ursache	Behebung
Anschluss undicht	Untersuchen Sie die Verschraubungen und ziehen Sie sie bei Bedarf wieder fest.
Schläuche undicht	Untersuchen Sie die Schläuche und tauschen Sie die undichten Schläuche aus.
Boiler undicht	Ziehen Sie den Stecker des Boilers aus der Wandsteckdose. Stellen Sie die Wasserversorgung ab. Wenden Sie sich an Franke.
Armatur undicht	Stellen Sie die Wasserversorgung ab. Wenden Sie sich an Franke.

Armatur liefert kein Wasser

Ursache	Behebung
Schläuche abgeknickt.	Untersuchen Sie die Schläuche und beseitigen Sie die Knicke in den Schläuchen.
Das Hauptwasserventil ist geschlossen.	Öffnen Sie das Hauptwasserventil.
Das Absperrventil im Küchenschrank ist geschlossen.	Öffnen Sie das Absperrventil.

Armatur liefert kein kochendes Wasser

Ursache	Behebung
Schläuche abgeknickt.	Untersuchen Sie die Schläuche und beseitigen Sie die Knicke in den Schläuchen.
Überdruckventil ist geschlossen.	Öffnen Sie es durch Drehen des Knopfes.
Filter nicht oder nicht richtig installiert.	Stellen Sie sicher, dass der Filter eingerastet ist. Drehen Sie ihn heraus und wieder ein.
Elektronischer Knopf ist nicht mit der Steckdose verbunden.	Stellen Sie sicher, dass die elektrischen Leitungen angeschlossen sind.

Armatur liefert kein Warmwasser

Ursache	Behebung
Schläuche abgeknickt.	Untersuchen Sie die Schläuche und beseitigen Sie die Knicke in den Schläuchen.
Boiler funktioniert nicht.	Siehe Tabelle „Das aus der Armatur austretende Wasser kocht nicht“.
Warmwassergerät funktioniert nicht.	Schlagen Sie im Benutzerhandbuch Ihres Warmwassergeräts, Ihrer Warmwasserunterstützung oder Ihres Bypasses nach.

Das aus der Armatur austretende Wasser kocht nicht

Ursache	Behebung
Der Stecker des Boilers wurde nicht mit einer Wandsteckdose verbunden.	Stecken Sie den Stecker in eine geerdete Wandsteckdose.
Die Wandsteckdose wird nicht mit Strom versorgt.	Prüfen Sie die Stromversorgung. Der Stromkreis ist wegen übermäßiger Last ausgefallen. Der Boiler kann nicht an denselben Stromkreis wie ein Geschirrspüler angeschlossen werden.

Ursache	Behebung
Der Boiler ist AUS (Standby-Modus).	Schalten Sie den Boiler EIN.
Der Boiler hat den Heizvorgang nicht abgeschlossen.	Warten Sie, bis der Boiler den Heizvorgang abgeschlossen hat.
Der Boiler ist defekt.	Wenden Sie sich an Franke.

Der Boiler verursacht einen Kurzschluss

Ursache	Behebung
In der elektrischen Verdrahtung oder im Heizelement des Boilers liegt ein Kurzschluss vor.	Ziehen Sie den Stecker des Boilers aus der Wandsteckdose. Wenden Sie sich an Franke.
Kein Wasser im Boiler. Die LED blinkt blau.	Füllen Sie den Boiler mit Wasser.

Wenn Sie die Störung oder den Defekt nicht beheben können, wenden Sie sich bitte an den Franke Kundendienst, Installateur oder Händler.

Pflege

Allgemeine Pflege

- ▶ Reinigen Sie die Armatur nur mit einem Franke Armaturen-Reiniger. Besuchen Sie hierzu unseren Franke Webshop.
- ▶ Verwenden Sie keine Reinigungsmittel, die Lösungsmittel oder Säure enthalten, beispielsweise Entkalkungsmittel, Haushaltessig oder Reinigungsmittel mit Essigsäure. Diese Substanzen beschädigen die Oberfläche. Die Oberfläche der Armatur wird matt und zerkratzt.
- ▶ Sie können Kalkablagerungen verhindern, indem Sie die Armatur nach dem Gebrauch trocknen.
- ▶ Falls sich dennoch Kalk ablagert, entfernen Sie ihn mit einem Reinigungsmittel auf Basis von Zitronensäure.
- ▶ Verwenden Sie für Wartungs- oder Reparaturarbeiten immer Originalteile von Franke. Auf diese Weise gewährleisten Sie die Sicherheit und einwandfreie Funktion des

Produkts. Zudem erhalten Sie sich damit alle Garantieansprüche.

- ▶ Teile dürfen nur vom Franke Kundendienst ausgetauscht oder repariert werden.

Filteraustausch

- ▶ Drehen Sie den Filter im Uhrzeigersinn, um ihn vom Filterkopf abzunehmen.
- ▶ Drehen Sie den neuen Filter gegen den Uhrzeigersinn, um ihn zu installieren. Setzen Sie die Filtereinstellung zurück – siehe Seite 16 im „Installationshandbuch“ (Filterinstallation).
- ▶ Der Filterkopf verfügt über ein integriertes Wasserventil mit automatischer Abschaltung. Für den Filteraustausch muss die Wasserversorgung nicht unterbrochen werden.

Entkalkung des Perlators

- ▶ **Verwenden Sie stets ein Entkalkungsmittel auf Basis von Zitronensäure.** Das Material wird durch andere Substanzen zerstört!
- ▶ Vereinfachen Sie das Lösen und Festziehen des Peralator Gehäuses des indem Sie ein Gummiband um darum legen. Achten Sie darauf dass das Gehäuse nicht durch Werkzeug beschädigt wird.
- ▶ Mit der Zeit können Kalkablagerungen auf und neben dem Luftsprudler der Armatur entstehen.

- ▶ Schrauben Sie die Gehäuse des Luftsprudlers der Armatur ab.
- ▶ Reinigen Sie den Luftsprudler der Armatur mithilfe eines geeigneten Entkalkungsmittels.
- ▶ Setzen Sie den Luftsprudler der Armatur in die Hülse ein.
- ▶ Setzen Sie die Dichtung auf den Luftsprudler der Armatur und ziehen Sie das Gehäuse handfest an.

Details hierzu finden Sie im „Installationshandbuch“ Seite 15.

Entsorgung



Das Symbol am Produkt oder auf der Verpackung weist darauf hin, dass das Gerät nicht als normaler Hausmüll entsorgt werden darf.

Mit der vorschriftsmäßigen Entsorgung des Geräts tragen Sie dazu bei, schädliche Auswirkungen auf Umwelt und Gesundheit zu vermeiden.

Weitere Informationen zum Recycling des Geräts erhalten Sie bei der zuständigen Behörde, der örtlichen Abfallbeseitigung oder beim Händler, der das Gerät verkauft hat. Entsorgen Sie ausrangierte Geräte über die speziellen Sammelstellen für elektrische und elektronische Geräte.

Im Einklang mit Gesetzesdekret Nr. 15 vom 25. Juli zur Umsetzung der Richtlinie 2002/96/EG zur Beschränkung der Verwendung gefährlicher Stoffe in Elektro- und Elektronikgeräten sowie bei der Entsorgung von Altgeräten.

Das Symbol einer durchgestrichenen Abfalltonne weist darauf hin, dass das Produkt am Ende seiner Lebensdauer nicht zusammen mit dem Haushaltsmüll entsorgt werden darf. Daher muss das Gerät am Ende seiner Lebensdauer zu einer geeigneten Sammelstelle für das Recycling elektrischer und elektronischer Geräte gebracht oder beim Kauf eines vergleichbaren Neugeräts beim Händler abgegeben werden.

Die sachgemäße getrennte Sammlung von Altgeräten für eine anschließende Wiederverwendung, Aufbereitung und umweltfreundliche Entsorgung dient der Vorbeugung von potenziellen Umwelt- und Gesundheitsschäden. Sie erleichtert das Recycling der bei der Geräteherstellung eingesetzten Materialien.

Table des matières

À propos de ce manuel	32
Informations sur la sécurité	32
Informations produit	34
Système	34
Mitigeur Active électronique 3 en 1 eau bouillante	34
Boîte hydraulique	34
Filtre	34
Chauffe-eau	35
Installation	36
Vérifications avant installation	36
Étapes d'installation	36
Fonctionnement	36
Fonctionnement du chauffe-eau	36
Mise hors-service du chauffe-eau	37
Eteindre temporairement le chauffe-eau	37
Première mise en fonction	37
Fonctionnement du mitigeur	38
Fonctionnement de la manette du mitigeur	38
Fonctionnement du bouton électronique	38
Modes de remplissage	39
Fonctionnement et remplacement du filtre	39
Réglage de l'intensité de la LED	40
Dépannage	40
Entretien	43
Entretien général	43
Remplacement du filtre	43
Détartrage de l'aérateur du robinet	43
Mise au rebut	44

À propos de ce manuel

Ce manuel contient des informations importantes pour une installation et une mise en service sûres et appropriées du produit.

FRANKE se réserve le droit d'apporter des modifications au produit sans préavis. Toutes les informations sont correctes au moment de l'impression de ce manuel.

- ▶ Veuillez lire attentivement le manuel d'utilisation avant d'utiliser l'appareil.


- ▶ Conserver le manuel d'utilisation.
- ▶ Utiliser l'appareil décrit dans ce manuel d'utilisation uniquement pour l'usage prévu.


Symbole	Signification
	Danger. Avertissement contre les risques de blessures.
	Étape d'action. Indique une action à effectuer.




Informations sur la sécurité


Généralités


 Installer le produit tel que décrit dans ce manuel et conformément aux réglementations en vigueur en termes d'installation, de sécurité et de raccordement au réseau d'eau !


 Ne pas utiliser le produit à d'autres fins que celles pour lesquelles il est destiné, tel que décrit dans ce manuel.


 Le produit ne doit pas être modifié.

 Insérer la fiche uniquement dans une prise murale mise à la terre.


 Ce mitigeur peut être utilisé par des enfants âgés de moins de 12 ans et par des personnes dont les capacités physiques, sensorielles ou mentales sont réduites, ou qui ne disposent pas de l'expérience ou des connaissances nécessaires, seulement sous surveillance ou après avoir reçu une formation à l'utilisation du produit en toute sécurité et lorsque ces personnes sont conscientes des risques pouvant résulter de l'utilisation du produit ou du système.


 Le nettoyage et l'entretien par l'utilisateur ne doivent pas être effectués sans surveillance par des enfants ou par des personnes dont les capacités physiques, sensorielles ou mentales sont réduites, ou qui ne disposent pas de l'expérience ou des connaissances nécessaires.


 Empêcher les enfants de jouer avec le produit ou le système.


 Ce produit ou ce système est conçu pour une utilisation domestique ou dans des environnements comparables, tels que :


- Cuisines du personnel dans les magasins, bureaux et autres lieux de travail ;
- Par les clients des hôtels, motels et autres environnements résidentiels comparables ;
- Hébergements de type « chambres d'hôtes » ou autres environnements résidentiels comparables.


 Toute utilisation dans d'autres environnements doit se faire en accord avec le fabricant du produit ou du système.


 Si le câble d'alimentation à fiche est endommagé, il doit être remplacé par le fabricant, son service après-vente ou par une personne qualifiée, afin d'éviter tout choc électrique.


 Si besoin, lubrifier les joints toriques uniquement avec une huile au silicone.

 Afin d'éviter qu'il ne gèle, le produit doit être installé uniquement dans des pièces à l'abri du gel.


 Merci de respecter les consignes de sécurité afin d'éviter toute blessure physique ou tout endommagement du produit ou du système.


 Merci respecter les consignes d'entretien afin d'éviter tout endommagement et usure excessive.


 En raison de l'amélioration constante de nos produits et systèmes, les illustrations de ce document peuvent différer de l'appareil livré.

 Si elle est disponible, vous pouvez télécharger la version la plus récente du manuel sur notre site web :


www.franke.com


 Franke ne peut être tenu responsable des coûts et dommages matériels ou corporels si le produit n'a pas été utilisé conformément aux consignes indiquées dans ce manuel.

 Les modèles demitigeurs et de chauffe-eaux peuvent différer de ceux illustrés dans ce manuel.


 **Attention :** n'utilisez jamais d'outils saillant ou à dents afin d'éviter tout dommage. Au besoin, utilisez toujours les outils appropriés pour serrer le raccord.


Mitigeur


 Prenez garde de ne pas vous brûler, ni vous ébouillanter, soyez prudent lorsque vous utilisez eau chaude. La température de l'eau chaude peut être supérieure à 55 °C.


 Prenez garde de ne pas vous brûler, ni vous ébouillanter, soyez prudent lorsque vous utilisez eau bouillante. La température de l'eau peut être supérieure à 100 °C.


Chauffe-eau

 Avant la mise en service, assurez-vous que le chauffe-eau est rempli d'eau.


 Ne saisissez ni ne transportez jamais le chauffe-eau par les tuyaux ou le câble d'alimentation.


 L'appareil doit toujours être raccordé à une alimentation en eau froide.

 Avant l'installation du chauffe-eau, assurez-vous que la sortie de la soupape d'évacuation est située à 8 cm au-dessus du raccordement du tuyau d'évacuation.

 Le tuyau d'évacuation doit être raccordé avec une pente constante et un siphon doit être installé. Notez que vous devrez probablement couper le tuyau d'évacuation.

Cartouche filtrante

 L'utilisation d'un filtre Franke est obligatoire pour protéger le produit contre les dépôts de calcaire. Il est obligatoire de changer le filtre en fonction du tableau de dureté de l'eau.

 Après avoir été stocké à une température de 0 °C, le filtre doit d'abord être stocké pendant 24 heures à température ambiante avant d'être installé.

⚠ La cartouche filtrante ne doit être ni ouverte ni endommagée.

⚠ La cartouche filtrante et le système doivent être rincés en laissant couler l'eau après une période d'arrêt prolongée ou durant les opérations d'entretien (2 litres d'eau de rinçage après une période d'arrêt d'1 semaine, 10 litres d'eau de rinçage après une période d'arrêt de 4 semaines).

⚠ La cartouche filtrante doit être remplacée si elle n'a pas été utilisée pendant 3 mois suivant sa mise en service.

⚠ Le fait de ne pas remplacer votre filtre annulera votre garantie.

Garantie

Scannez le code QR pour accéder aux directives de garantie :



Informations produit

Systeme

Pression de l'alimentation en eau (min.)	100 kPa / 14,5 psi / 1 bar
Pression de l'alimentation en eau (max.)	500 kPa / 72,5 psi / 5 bars
Débit d'eau bouillante	2-4 l/min * 2,5 bars
Débit d'eau froide	5-9 l/min *
Débit d'eau chaude	5-9 l/min *

* Le débit varie en fonction de la pression de l'alimentation en eau et du type de mitigeur.

Exigences en matière de qualité de l'eau

pH	7-9,5
----	-------

Mitigeur Active électronique 3 en 1 eau bouillante

Vérifiez les détails dans le « Manuel d'installation » page 5.

Boîte hydraulique

Vérifiez les détails dans le « Manuel d'installation » page 5.

Filtre

Vérifiez les détails dans le « Manuel d'installation » page 5.


Type de filtre	Franke Pro M
Diamètre	95 mm
Hauteur tête de filtre incl.	295 mm
Tête de filtre	Verrouillage à baïonnette / Partie séparée

Filtration des impuretés

Décarburation	Oui
Odeurs	Oui
Chlore	Oui
Particules	Oui
Microplastiques	Oui

Chauffe-eau

Vérifiez les détails dans le « Manuel d'installation » page 6.

 **Avertissement** : seule une installation verticale du chauffe-eau est possible (bouton marche/arrêt en bas).

Chauffe-eau	4 litres	7 litres
Dimensions [H x l]	340 x 229 mm	494 x 229 mm
Poids net	4,5 kg	5,5 kg
Capacité	4 l	7 l
Tension	220-240 V AC	220-240 V AC
Puissance	1650 W (+5 %/-10 %)	1650 W (+5 %/-10 %)
Intensité	9,2 A	9,2 A
Mode veille max.	14 W	14 W
Classification IP	IPX4	IPX4
Température de stockage	< 105 °C	< 105 °C
Temps de chauffage [ΔT 100 K]	15 min	24 min
Pression de service (max.)	800 kPa / 116 psi / 8 bars	800 kPa / 116 psi / 8 bars
Température d'utilisation	0-40 °C	0-40 °C
Alimentation électrique UE	Type E+F CEE 7/7 Schuko	Type E+F CEE 7/7 Schuko
Alimentation électrique UK	Type G/ BS 1363 britannique 3 broches	Type G/ BS 1363 britannique 3 broches
Profil de charge déclaré et utilisation typique	XXS	XXS
Classe d'efficacité énergétique pour le chauffage de l'eau	A	A
Efficacité énergétique pour le chauffage de l'eau	38,9 %	39,6 %
Consommation électrique annuelle	435 kWh	466 kWh
Réglage de la température du thermostat	103 °C	103 °C

Installation

Vérifications avant installation

Suivre les étapes suivantes avant de commencer l'installation.

1. Les robinets d'arrêt doivent déjà être installés.
2. Si la pression de l'eau est supérieure à 5 bars, utilisez un réducteur de pression (3 bars).
3. Fermer les robinets d'arrêt.
4. Retirer le robinet, les tuyaux et le chauffe-eau des systèmes déjà installés s'ils sont encore en place.
5. Repérer les raccords d'eau froide et d'eau chaude à disposition.
6. Deux prises de courant murales doivent être disponibles pour le raccordement.



Installer le réducteur de pression le plus haut possible dans le meuble de cuisine.

Étapes d'installation

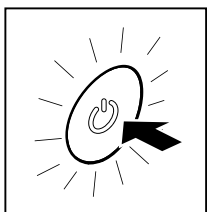
Vérifiez les détails dans le « Manuel d'installation » pages 3-16.

1. Installation du mitigeur 3 en 1 (voir page 7)
2. Installation du filtre (voir page 8)
3. Installation du réducteur de pression (voir page 8)
4. Raccordement du tuyau d'évacuation (voir page 9)
5. Installation du chauffe-eau (voir page 9)
6. Installation de la boîte hydraulique (voir page 10)
7. Raccordement de la boîte hydraulique (voir page 10)
8. Activation de la boîte hydraulique (voir page 11)
9. Rinçage du chauffe-eau (voir page 11)
10. Activation du chauffe-eau (voir page 11)
11. Installation avec Raccord Eau Chaude séparé (voir pages 12 et 13)
12. Installation avec dérivation (voir pages 14 et 15)
13. Mise en service (voir page 11)

Fonctionnement

Fonctionnement du chauffe-eau

- ▶ Une brève pression du bouton ON/OFF fait commuter entre les modes ON et OFF du chauffe-eau.



ON : La LED est toujours rouge.

OFF : La LED est éteinte.

Si le chauffe-eau a été à l'arrêt pendant une semaine, nous recommandons de suivre la procédure suivante avant l'utilisation :

- ▶ Allumer le chauffe-eau. Attendre que l'eau du chauffe-eau atteigne la température.
- ▶ Ouvrir le robinet d'eau bouillante et faire s'écouler la conduite d'eau bouillante jusqu'à ce que de l'eau froide coule du robinet.



Attention : veiller à ce que l'eau ne soit pas pulvérisée pendant l'évacuation.

- ▶ Chauffer à nouveau l'eau du chauffe-eau.

Mise hors-service du chauffe-eau


1. Débrancher la prise du chauffe-eau de la prise de courant murale.
2. Démarrer l'écoulement de l'eau avec le bouton électronique.
3. Patienter jusqu'à ce que de l'eau froide s'écoule.
4. Arrêter l'écoulement de l'eau avec le bouton électronique.
5. Fermer le robinet d'arrêt.
6. Démarrer l'écoulement de l'eau avec le bouton électronique.
7. Patienter jusqu'à ce qu'il n'y ait plus d'eau qui s'écoule.
8. Arrêter l'écoulement de l'eau avec le bouton électronique.
9. Débrancher les tuyaux du chauffe-eau.
10. Retirer le chauffe-eau.
11. Laisser l'eau des tuyaux et du chauffe-eau s'écouler dans l'évier.

Eteindre temporairement le chauffe-eau

Si vous pensez ne pas avoir besoin d'eau bouillante pendant une période prolongée (vacances p. ex.), vous pouvez éteindre le chauffe-eau (temporairement) :

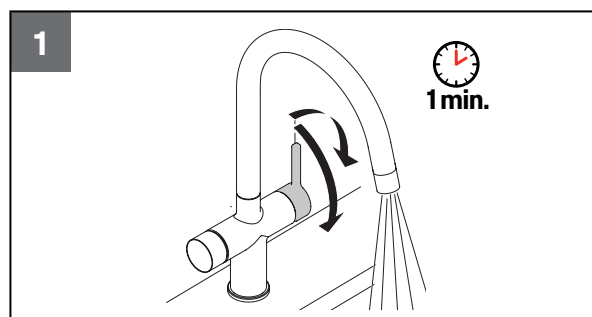
- Utiliser le chauffe-eau en mode OFF ou débrancher la fiche de la prise murale pour éviter le chauffage du chauffe-eau.

Première mise en fonction

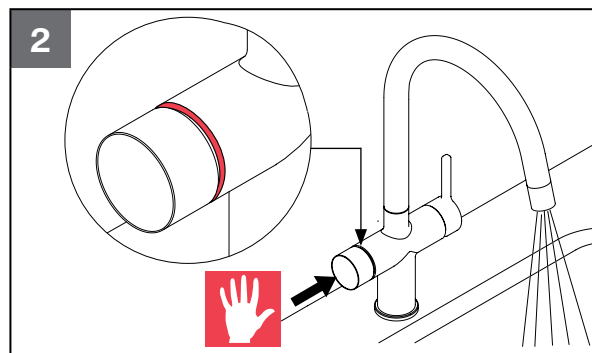
 Assurez-vous que le chauffe-eau est rempli d'eau !

Chauffe-eau

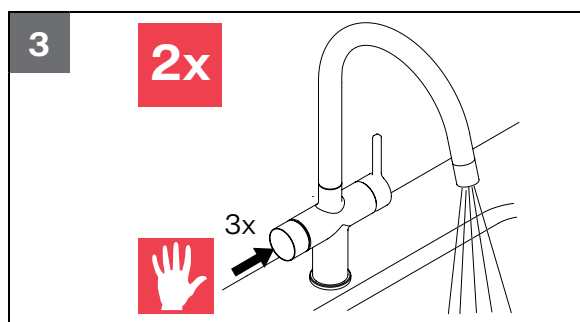
1. Ouvrez le mitigeur et faites couler de l'eau chaude pendant 1 minute (fig. 1).



2. Actionnez le bouton électronique et sélectionnez l'eau bouillante (LED rouge) (fig. 2).




3. Appuyez 3 fois sur le bouton électronique. Répétez cette étape deux fois pour vous assurer que le chauffe-eau est rincé et plein d'eau. Le système sera rincé. Il est normal qu'au début du mode de rinçage, de l'air sorte. Lorsqu'un jet laminaire régulier s'écoule du mitigeur, le système est correctement rincé.



4. Allumez le chauffe-eau.
5. Après sa mise en service, vérifiez que l'installation ne fuit pas.

L'eau atteint la température d'ébullition au bout de 15 minutes.

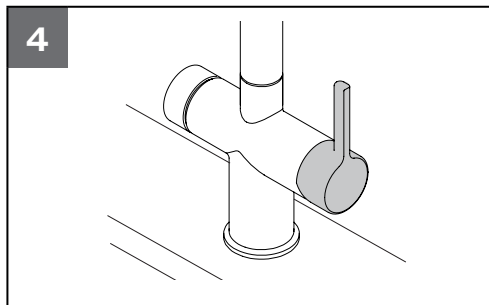
 **Attention :** si, pendant le chauffage, l'eau de décompression ne s'est pas échappée par le groupe de sécurité (soupape de pression noire) après 10 minutes, coupez immédiatement l'alimentation électrique et ouvrez le robinet d'eau bouillante pour relâcher la pression de l'eau.

- ▶ Le chauffe-eau est chauffé lorsque le bouton ON/OFF a un voyant rouge brillant de manière continue.
6. Pour nettoyer la cuve du chauffe-eau, ouvrir le robinet d'eau bouillante jusqu'à ce que de l'eau froide s'écoule.

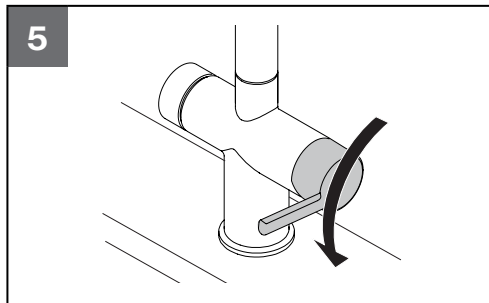
Fonctionnement du mitigeur

Fonctionnement de la manette du mitigeur

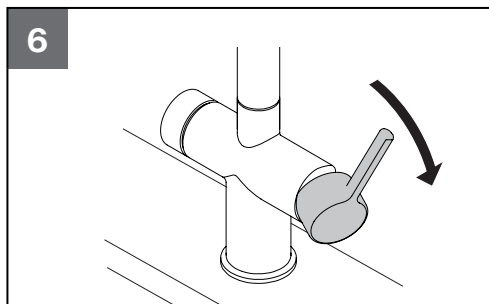
- ▶ Sélectionner l'eau chaude (fig. 4).



- ▶ Sélectionner l'eau froide (fig. 5).

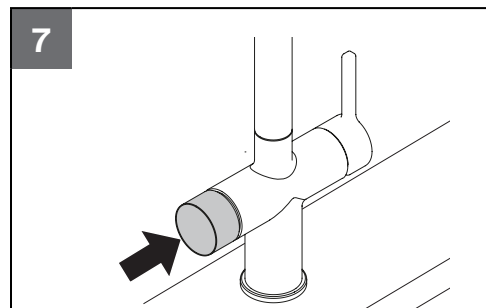


- ▶ Ouvrir le robinet mitigeur (fig. 6).

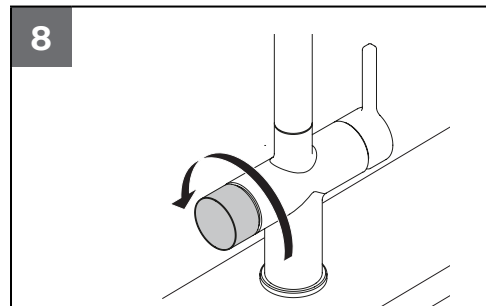


Fonctionnement du bouton électronique

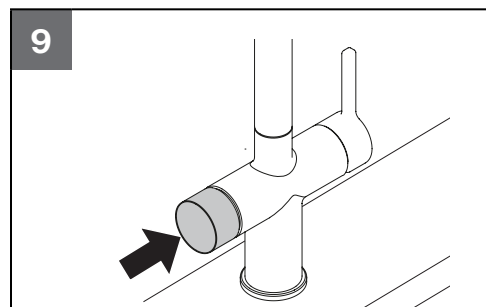
- ▶ Activer le robinet : appuyer brièvement 1 x (fig. 17).



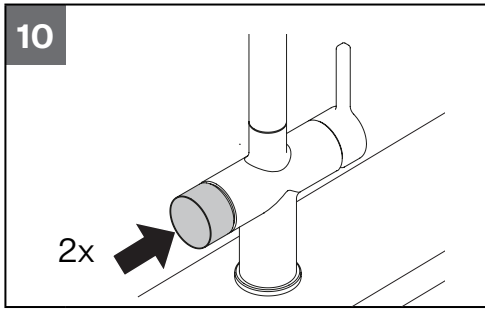
- ▶ Appuyer et tourner vers l'arrière (pour activer la sélection eau bouillante, fig. 8).



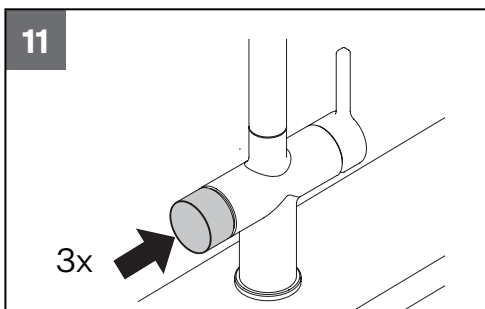
- ▶ Pour de l'eau bouillante en continu : maintenir le bouton sélecteur enfoncé (fig. 9). Désactiver : relâcher le bouton.



- ▶ Mode de remplissage court : appuyer brièvement 2 x (fig. 10). Arrêt automatique. Désactiver : appuyer brièvement 1 x.



- ▶ Mode de remplissage long : appuyer brièvement 3 x (fig. 11). Arrêt automatique. Désactiver : appuyer brièvement 1 x.



- ▶ Tenir l'objet à remplir près du robinet de manière à ce qu'il entoure l'orifice d'écoulement. Cela évitera les projections d'eau (chaude).
- ▶ Pour un résultat optimal lorsque vous préparez du café ou du thé, laissez environ 1 tasse d'eau s'écouler avant d'utiliser le robinet. Vous éliminez ainsi les petites bulles d'air présentes dans l'eau et évitez la formation d'une couche de mousse dans le thé.

Modes de remplissage


- ▶ Appuyer brièvement 2x pour remplir l'objet. Remplissage de l'objet : eau bouillante (rouge) = écoulement de 30 sec.
- ▶ Appuyer brièvement 3x pour remplir l'objet. Remplissage de l'objet : eau bouillante (rouge) = écoulement de 60 sec.

Fonctionnement et remplacement du filtre

1. Appuyer et maintenir enfoncé le bouton électronique (en position neutre) pendant 10 secondes.
2. Tourner le bouton électronique vers l'arrière pour sélectionner la couleur correcte dans le tableau ci-contre, en fonction de la dureté de l'eau dans votre région. Appuyer sur le bouton électronique et le maintenir enfoncé pendant 2 secondes. La LED clignote 3 fois pour confirmation et repasse en position neutre.

La LED en position neutre vous rappelle 1 mois à l'avance que le filtre doit être remplacé. La LED en mode neutre passe du blanc à l'orange. Si le filtre a atteint la date d'expiration, la LED orange commence à clignoter jusqu'à ce que le filtre soit remplacé. Retirer lentement le filtre usagé de la tête de filtre.

Au cours de ce changement, l'alimentation en eau est déconnectée hydrauliquement de la tête de filtre et le système est dépressurisé ; il peut arriver que la pression atteigne des sommets et qu'une petite quantité d'eau de décompression s'échappe de la tête de filtre. Veuillez en tenir compte et prévoir de placer un récipient approprié en dessous. Après le remplacement du filtre, répéter les étapes 1 et 2. Si vous avez enregistré votre système, vous recevrez un rappel par e-mail.

 L'utilisation d'un filtre Franke est obligatoire pour protéger le produit contre les dépôts de calcaire. Il est obligatoire de changer le filtre en fonction du tableau de dureté de l'eau.

Dureté de l'eau	Couleur de la LED
< 10 °dh	bleu clair
10-15 °dh	jaune
15-20 °dh	vert clair
> 20 °dh	violet

Rinçage du filtre

Après 1 semaine de stagnation	2 litres
Après 2 semaines de stagnation	10 litres
Après 8 semaines de stagnation	Le filtre doit être remplacé.

Dureté de l'eau	Durée de vie du filtre
< 10 °dH*	12 mois
10-15 °dH	10 mois
15-20 °dH	8 mois
> 20 °dH	6 mois

* Paramètres par défaut

Réglage de l'intensité de la LED

Après 60 secondes de non-utilisation du mitigeur, il passera automatiquement en mode veille, avec une intensité LED de 50 %. Pour modifier le réglage du mode veille, vous devez suivre les instructions ci-dessous.

1. Activez le robinet en appuyant une fois sur le bouton électronique.
2. Appuyez 5 fois sur le bouton électronique.
3. La LED commence à clignoter.
4. Tournez le bouton vers l'avant ou vers l'arrière pour obtenir le réglage souhaité :
 1. 50 % d'intensité, par défaut,
 2. 10 % d'intensité,
 3. Complètement éteint.
5. Après la sélection, appuyez sur le bouton électronique pendant 2 secondes pour confirmer. Le robinet clignote 3 fois pour confirmation.

Dépannage

Messages d'erreur du chauffe-eau

Couleur de la LED	Comportement de la LED	Description
Bleu	Clignote	Le chauffe-eau n'a pas d'eau.
Bleu	Continu	Mise en service/auto-contrôle du système.
Orange	Clignote	Défaillance du système ; contactez le service Franke.
Rouge	Clignote	Le chauffe-eau chauffe.
Rouge	Continu	Le chauffe-eau est entièrement chauffé.

Messages d'erreur du mitigeur

Couleur de la LED	Comportement de la LED	Fonction	Description
Rouge	Continu	Eau bouillante	La sélection de l'eau bouillante est possible.
Rouge	En rotation	Sélection de l'eau bouillante	La sélection de l'eau bouillante est en cours.
Orange	Continu	Filtre	La cartouche filtrante est presque épuisée et doit être remplacée d'ici un mois.
Orange	Vibrant	Filtre	Le filtre est usé et doit être remplacé directement.

Le bouton électronique ne répond pas

Cause	Solution
Problème logiciel.	Débrancher l'alimentation électrique pendant au moins 10 secondes.
Le connecteur du câble du robinet est mal branché.	Brancher correctement le connecteur du câble.
La prise de courant murale n'est pas sous tension.	Vérifier l'alimentation électrique. Le circuit électrique s'est coupé suite à une charge excessive. Le chauffe-eau ne peut pas être raccordé au même circuit électrique que celui d'un lave-vaisselle.
Le câble ou le connecteur du robinet est endommagé ou défectueux.	Contacteur Franke.

Fuites d'eau

Cause	Solution
Raccord non étanche	Vérifier le ou les raccords et resserrer si nécessaire.
Tuyau(x) non étanche(s)	Vérifier le ou les tuyaux et remplacer les tuyaux qui fuient.
Chauffe-eau non étanche	Débrancher la prise du chauffe-eau de la prise de courant murale. Couper l'alimentation en eau. Contacter Franke.
Mitigeur non étanche	Couper l'alimentation en eau. Contacter Franke.

L'eau ne s'écoule pas du mitigeur

Cause	Solution
Tuyau(x) plié(s).	Vérifier le ou les tuyaux et les redresser au besoin.
La vanne d'eau principale est fermée.	Ouvrir la vanne d'eau principale.
Le robinet d'arrêt du meuble de cuisine est fermé.	Ouvrir le robinet d'arrêt.

L'eau bouillante ne s'écoule pas du mitigeur

Cause	Solution
Tuyau(x) plié(s).	Vérifier le ou les tuyaux et les redresser au besoin.
Le réducteur de pression est fermé.	Ouvrir en tournant le bouton.
Filtre pas ou mal installé.	S'assurer que le filtre est verrouillé. Dévisser puis revisser.
Bouton électronique non connecté à la prise.	S'assurer que les connexions électriques sont connectées.

L'eau chaude ne s'écoule pas du mitigeur

Cause	Solution
Tuyau(x) plié(s).	Vérifier le ou les tuyaux et les redresser au besoin.
Le chauffe-eau ne fonctionne pas.	Voir tableau « L'eau qui s'écoule du robinet n'est pas bouillante ».
Le dispositif de chauffage de l'eau ne fonctionne pas.	Consulter le manuel de votre dispositif de chauffage de l'eau, de votre support d'eau chaude ou de votre dérivation.

L'eau qui s'écoule du mitigeur n'est pas bouillante

Cause	Solution
La prise du chauffe-eau n'a pas été insérée dans une prise de courant murale.	Insérer la prise dans une prise de courant murale mise à la terre.
La prise de courant murale n'est pas sous tension.	Vérifier l'alimentation électrique. Le circuit électrique s'est coupé suite à une charge excessive. Le chauffe-eau ne peut pas être raccordé au même circuit électrique que celui d'un lave-vaisselle.
Le chauffe-eau est éteint (mode veille).	Allumer le chauffe-eau.

Cause	Solution
Le chauffe-eau n'a pas complètement chauffé.	Attendre que le chauffe-eau ait chauffé.
Le chauffe-eau est défectueux.	Contacteur Franke.

Le chauffe-eau provoque un court-circuit

Cause	Solution
Présence d'un court-circuit dans le câblage électrique ou dans l'élément chauffant du chauffe-eau.	Débrancher la fiche du chauffe-eau de la prise de courant murale. Contacter Franke.
Absence d'eau dans le chauffe-eau. La LED clignote en bleu.	Remplir le chauffe-eau d'eau.

Si vous ne parvenez pas à résoudre votre problème, veuillez contacter le service après-vente Franke, l'installateur ou le revendeur.

Entretien

Entretien général

- ▶ Nettoyer le robinet uniquement avec le nettoyant pour robinet Franke. Rendez-vous sur notre boutique en ligne Franke.
- ▶ N'utilisez pas de produits de nettoyage à base de solvant ou d'acide, tels que les détartrants, vinaigres ménagers ou agents de nettoyage contenant de l'acide acétique. Ces substances endommageraient la surface. Cela ternirait et rayerait le robinet.
- ▶ Vous pouvez éviter les dépôts de calcaire en essuyant le robinet après chaque utilisation.
- ▶ Si des dépôts de calcaire apparaissent néanmoins, enlevez-les en utilisant un produit de nettoyage à base d'acide citrique.
- ▶ Utilisez toujours des pièces d'origine Franke pour les travaux d'entretien ou de réparation. Cela garantit la sécurité et le bon fonctionnement du produit et vous protège contre toute exclusion de garantie.

- ▶ Seul le SAV de Franke doit effectuer le remplacement ou la réparation de pièces.

Remplacement du filtre

- ▶ Tourner le filtre dans le sens des aiguilles d'une montre pour le retirer de la tête du filtre.
- ▶ Tourner le nouveau filtre dans le sens inverse des aiguilles d'une montre pour l'installer. Réinitialiser le paramètre de filtre - voir page 16 du « Manuel d'installation » (installation du filtre).
- ▶ La tête du filtre est dotée d'une vanne d'arrêt automatique intégrée. Il n'est pas nécessaire d'isoler l'alimentation en eau pour changer le filtre.

Détartrage de l'aérateur du robinet

- ▶ **Utilisez toujours un produit détartrant à base d'acide citrique.** Toute autre substance endommagerait le matériel !

- ▶ Vous pouvez desserrer et serrer l'aérateur plus facilement en enroulant un élastique autour de l'aérateur du robinet. Veillez à ne pas endommager la douille de l'aérateur du robinet lorsque vous utilisez des outils.
- ▶ Au fil du temps, des dépôts de calcaire vont apparaître sur et autour de l'aérateur du robinet.
- ▶ Dévissez la douille de l'aérateur du robinet.

- ▶ Nettoyez l'aérateur du robinet en utilisant un produit détartrant adapté.
- ▶ Placez l'aérateur du robinet dans la douille.
- ▶ Placez le joint d'étanchéité sur l'aérateur du robinet et serrez la douille à la main.

Vérifiez les détails dans le « Manuel d'installation » page 15.

Mise au rebut



Le symbole sur le produit ou sur l'emballage indique que l'appareil ne doit pas être jeté avec les déchets ménagers.

En éliminant l'appareil correctement, vous contribuez à éviter des conséquences délétères pour l'environnement et la santé.

Des informations complémentaires sur le recyclage de l'appareil sont disponibles auprès des autorités compétentes, du service local de traitement des déchets ou du revendeur de l'appareil.

Éliminer l'appareil via un point de collecte spécialisé dans les déchets électroniques et électriques.

Conformément à l'article du décret n°15 daté du 25 juillet, mise en œuvre de la directive 2002/96/CE concernant la réduction des substances dangereuses utilisées dans les appareils électriques et électroniques et l'élimination des déchets.

Le symbole de poubelle barrée sur l'appareil indique qu'à la fin de sa durée de vie utile, le produit ne doit pas être jeté avec les ordures ménagères.

Par conséquent, lorsque l'appareil a atteint la fin de sa vie utile, l'utilisateur doit le porter à un centre de recyclage spécialisé dans les déchets électroniques et électrotechniques ou au revendeur lors de l'achat d'un nouvel appareil de type équivalent.

Le tri des déchets de l'appareil en bonne et due forme à des fins de recyclage ultérieur, traitement et élimination écologique contribuent à éviter l'impact potentiellement négatif sur l'environnement et la santé et facilitent le recyclage des matériaux utilisés dans la construction des appareils.

Inhoudsopgave

Over deze handleiding	46
Veiligheidsinformatie	46
Productinformatie	48
Systeem	48
Kraan Active kokend water 3-in-1 elektronisch	48
Hydraulische box	48
Filter	48
Boiler	49
Installatie	50
Algemene uitgangspunten voor installatie	50
Installatiestappen	50
Bediening	50
Bediening van de boiler	50
De boiler buiten bedrijf stellen	50
De boiler buiten gebruik stellen	51
Voor het eerst inschakelen	51
Kraanbediening	52
Bediening van de menghendel	52
Bediening van de elektronische knop	52
Vulmodus	53
Filter instellingen, gebruik en vervanging	53
Instellen LED intensiteit in slaapstand	54
Probleemoplossing	54
Onderhoud	57
Algemeen onderhoud	57
Filter vervangen	57
Ontkalken van het zeefje	57
Afvalverwijdering	58

Over deze handleiding

Deze handleiding bevat belangrijke informatie over de veilige en correcte installatie en inbedrijfstelling van het product.

FRANKE behoudt zich het recht voor om zonder voorafgaande kennisgeving wijzigingen aan het product aan te brengen. Alle informatie is correct op het moment van uitgifte.

- ▶ Lees de handleiding zorgvuldig door voordat u het toestel in gebruik neemt.

- ▶ Bewaar de handleiding.
- ▶ Gebruik het in deze handleiding beschreven toestel alleen in overeenstemming met het beoogde gebruik.


Symbol	Betekenis
	Waarschuwingssymbool. Waarschuwing voor risico's op letsel.
	Handeling. Geeft een handeling aan die moet worden uitgevoerd.





Veiligheidsinformatie


Algemeen


 Installeer het product zoals beschreven in deze handleiding en in overeenstemming met de van toepassing zijnde installatie-, veiligheids- en lokale watervoorzieningsvoorschriften!


 Gebruik het product niet voor andere doeleinden dan die waarvoor het bestemd is, zoals in deze handleiding is beschreven.


 Er mogen geen wijzigingen aan het product worden aangebracht.

 Steek de stekker alleen in een geaard stopcontact.


 Als deze kraan wordt gebruikt door kinderen onder de 12 jaar en door personen met verminderde lichamelijke, zintuiglijke of mentale capaciteiten, of die niet over de nodige ervaring of kennis beschikken, is dit alleen toegestaan onder toezicht of na duidelijke instructies over het veilige gebruik van het product en als zij zich bewust zijn van de gevaren die kunnen voortvloeien uit het gebruik van het product en/of het systeem.


 Reiniging en onderhoud door de gebruiker mogen niet zonder toezicht worden uitgevoerd door kinderen of door personen met verminderde lichamelijke, zintuiglijke of mentale capaciteiten, of die niet over de nodige ervaring of kennis beschikken.

 Voorkom dat kinderen met het product en/of het systeem spelen.


 Dit product en/of systeem is bedoeld voor gebruik in huishoudelijke en soortgelijke omgevingen, waaronder:


- personeelskeukens in winkels, kantoren en andere werkomgevingen;
- door gasten in hotels, motels en andere soortgelijke residentiële omgevingen;
- B&B-accommodaties en andere soortgelijke woonomgevingen.

 Gebruik in andere omgevingen is alleen toegestaan in overleg met de fabrikant van het product en/of systeem.


 Als de voedingskabel met stekker beschadigd is, moet deze worden vervangen door de fabrikant, de

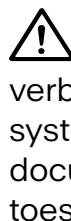
klantenservice van de fabrikant of een gekwalificeerd persoon om elektrische schokken te voorkomen.

 Indien nodig de O-ringen alleen met siliconenvet smeren.

 Om bevriezing te voorkomen, mag het product alleen in vorstvrije ruimtes worden geïnstalleerd.


 Veiligheidsvoorschriften moeten in acht worden genomen om lichamelijk letsel en/of schade aan het product en/of het systeem te voorkomen.

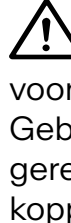
 Onderhoudsvoorschriften moeten in acht worden genomen om schade en overmatige slijtage te voorkomen.

 Als gevolg van de voortdurende verbetering van onze producten en/of systemen kunnen de afbeeldingen in dit document afwijken van het geleverde toestel.

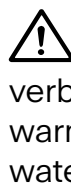
 Indien voorhanden, kunt u de laatste versie van de handleiding downloaden via onze website: **www.franke.com**

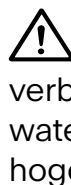
 Franke kan niet aansprakelijk worden gesteld voor kosten, schade of persoonlijk letsel als het product niet in overeenstemming met de voorschriften in deze handleiding wordt gebruikt.

 Het model van de kraan en van de boiler kan afwijken van het model dat in de handleiding is afgebeeld.


 **Let op:** Gebruik om beschadigingen te voorkomen nooit gekarteld gereedschap. Gebruik waar nodig altijd het juiste gereedschap voor het aandraaien van het koppelstuk.


Kraan


 Voorkom brandwonden en verbranding en let op bij het gebruik van warm water. De temperatuur van het warme water kan hoger zijn dan 55 °C.

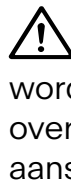
 Voorkom brandwonden en verbranding en let op bij gebruik van kokend water. De temperatuur van het water kan hoger zijn dan 100 °C.

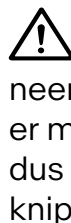
Boiler

 Controleer vóór de inbedrijfstelling of de boiler met water is gevuld.

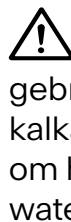
 Gebruik nooit de slangen of het netsnoer om de boiler op te pakken of te dragen.

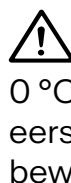
 Het toestel moet altijd op de koudwatertoevoer worden aangesloten.

 Alvorens de boiler te installeren moet worden gecontroleerd of de uitlaat van de overdrukklep zich 8 cm boven de aansluiting van de afvoerleiding bevindt.


 De afvoerslang moet met een continu neerwaarts verloop worden aangesloten en er moet een sifon worden gemaakt; het kan dus nodig zijn de afvoerslang door te knippen.


Filterpatroon

 Het is verplicht om een Franke filter te gebruiken teneinde het product tegen kalkaanslag te beschermen. Het is verplicht om het filter te vervangen op basis van de waterhardheidstabel

 Als het filter bij een temperatuur van 0 °C is opgeslagen, moet het vóór installatie eerst 24 uur bij kamertemperatuur worden bewaard.

 Het filterpatroon mag niet worden geopend of beschadigd.

 Het filterpatroon en het systeem moeten na een langdurige stilstand en/of tijdens onderhoudswerkzaamheden intensief worden doorgespoeld (2 liter spoelwater na 1 week stilstand; 10 liter spoelwater na 4 weken stilstand).

 Het filterpatroon moet worden vervangen als het na de inbedrijfstelling 3 maanden lang niet in gebruik is geweest.

 Wanneer je het filter niet vervangt, vervalt de garantie.

Garantie

Scan de QR-code om bij de garantiebepalingen te komen:



Productinformatie

Systeem

Watertoevoerdruk (min.)	100 kPa/14,5 psi/1 bar
Watertoevoerdruk (max.)	500 kPa/72,5 psi/5 bar
Debiet kokend water	2-4 l/min * 2,5 bar
Debiet koud water	5-9 l/min *
Debiet heet water	5-9 l/min *

* Het debiet varieert, afhankelijk van de waterdruk en het type kraan.

Vereisten waterkwaliteit

pH-waarde	7-9,5
-----------	-------

Kraan Active kokend water 3-in-1 elektronisch

Bekijk de details in de installatiehandleiding pagina 5.

Hydraulische box

Bekijk de details in de installatiehandleiding pagina 5.

Filter

Bekijk de details in de installatiehandleiding pagina 5.


Filtertype	Franke Pro M
Diameter	95 mm
Hoogte incl. filterkop	295 mm
Filterkop	Bajonet/afzonderlijk onderdeel

Filterafvoer restafval

Decarbonisatie	Ja
Geuren	Ja
Chloor	Ja
Deeltje	Ja
Microplastics	Ja

Boiler

Bekijk de details in de installatiehandleiding pagina 6.

 **Let op:** Boiler kan alleen verticaal worden geïnstalleerd (aan/uit knop moet aan de onderkant gepositioneerd zijn).

Boiler	4 liter	7 liter
Afmetingen [H x B]	340 x 229 mm	494 x 229 mm
Nettogewicht	4,5 kg	5,5 kg
Inhoud	4 l	7 l
Spanning	220-240 V AC	220-240 V AC
Vermogen	1650 W (+5%/-10%)	1650 W (+5%/-10%)
Belasting	9,2 A	9,2 A
Standby-modus max.	14 W	14 W
IP-classificatie	IPX4	IPX4
Opslagtemperatuur	<105°C	<105°C
Opwarmingstijd [ΔT 100 K]	15 min	24 min
Bedrijfsdruk (max.)	800 kPa / 116 psi / 8 bar	800 kPa / 116 psi / 8 bar
Bedrijfstemperatuur	0-40°C	0-40°C
EU-stroomtoevoer	type E+F CEE 7/7 Schuko	Type E+F CEE 7/7 Schuko
UK-stroomtoevoer	type G/ BS 1363 British 3 Pins	Type G/ BS 1363 British 3 Pins
Opgegeven capaciteitsprofiel	XXS	XXS
Energie-efficiëntieklasse waterverwarming	A	A
Energie-efficiëntie waterverwarming	38,9%	39,6%
Jaarlijks elektriciteitsverbruik	435 kWh	466 kWh
Temperatuurinstelling thermostaat	103°C	103°C

Installatie

Algemene uitgangspunten voor installatie

Voer vóór het begin van de installatie de volgende stappen uit.

1. Stopkranen moeten al geïnstalleerd zijn.
2. Als de waterdruk boven de 5 bar ligt, moet er een reduceerventiel (3 bar) worden gebruikt.
3. Sluit de stopkranen.
4. Verwijder in bestaande installaties de kraan, de slangen en de boiler, als deze nog aanwezig zijn.
5. Geef de bestaande koud- en warmwateraansluiting aan.
6. Er moeten twee stopcontacten voorhanden zijn voor aansluiting.



Installeer de overdrukventiel zo hoog mogelijk in de keukenkast.

Installatiestappen

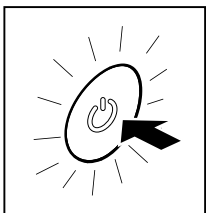
Bekijk de details in de installatiehandleiding pagina's 3-16.

1. Installeren 3-in-1-kraan (zie pagina 7)
2. Installeren filter (zie pagina 8)
3. Installeren overdrukventiel (zie pagina 8)
4. Aansluiten afvoerslang (zie pagina 9)
5. Installeren boiler (zie pagina 9)
6. Installeren Hydraulic Box (zie pagina 10)
7. Aansluiten Hydraulic Box (zie pagina 10)
8. Activeren Hydraulic Box (zie pagina 11)
9. Boiler spoelen (zie pagina 11)
10. Aansluiten en aanzetten boiler (zie pagina 11)
11. Installatie met WWS (zie pagina's 12 en 13)
12. Installatie met Bypass (zie pagina's 14 en 15)
13. Inbedrijfstellen (zie pagina 11)

Bediening

Bediening van de boiler

- ▶ Door kort op de toets AAN/STAND-BY te drukken, kunt u de boiler van AAN naar STAND-BY schakelen.



AAN: De LED brandt continu rood.

UIT: De LED is uit.

Als de boiler een week uitgeschakeld is geweest, raden wij aan om vóór gebruik de volgende procedure in acht te nemen:

- ▶ Zet de boiler aan. Wacht tot het boilerwater op temperatuur is.

- ▶ Open de kokendwaterkraan en spoel de kokendwaterleiding door totdat er koud water uit de kraan komt.



Let op: controleer of het water tijdens het doorspoelen niet vernevelt.

- ▶ Verwarm nogmaals het boilerwater.

De boiler buiten bedrijf stellen

1. Verwijder de stekker van de boiler uit het stopcontact.
2. Start de watertoevoer met de elektronische knop.
3. Wacht tot er koud water uit komt.
4. Stop de watertoevoer met de elektronische knop.
5. Sluit de stopkraan.
6. Start de watertoevoer met de elektronische knop.

7. Wacht tot er geen water meer uit komt.
8. Stop de watertoevoer met de elektronische knop.
9. Koppel de slangen los van de boiler.
10. Verwijder de boiler.
11. Voer het water uit de slangen en de boiler af in de gootsteen.

De boiler buiten gebruik stellen

Als u verwacht langere tijd geen kokend water nodig te hebben, bijvoorbeeld tijdens vakanties, kunt u de boiler (tijdelijk) uitschakelen:

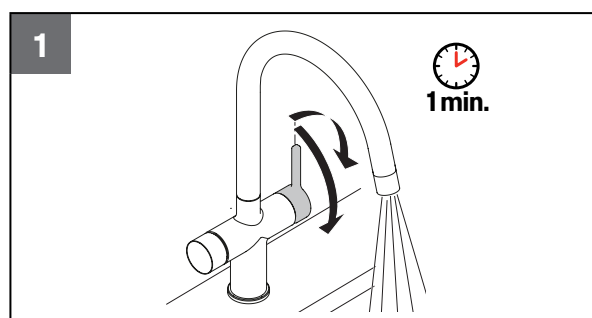
- ▶ Gebruik de STANDBY-modus van de boiler of verwijder de stekker uit het stopcontact om te voorkomen dat de boiler verwarmt.

Voor het eerst inschakelen

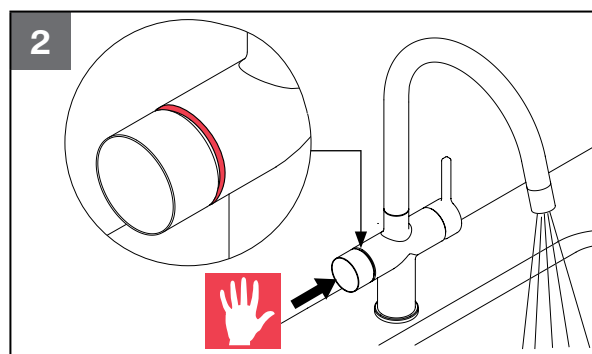
 Controleer of de boiler met water is gevuld!

Boiler

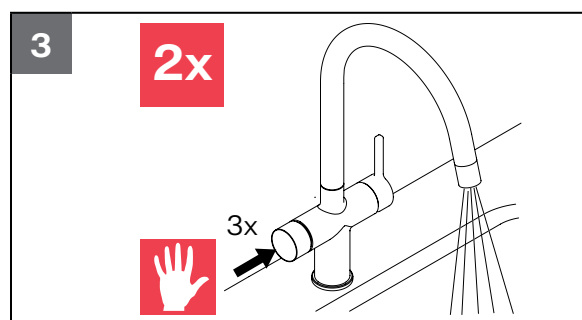
1. Bedien de mengkraan en spoel 1 minuut lang met warm water door (afb. 1).



2. Activeer de elektronische knop en selecteer kokend water (rode LED) (fig. 2).




3. Druk 3 keer op de elektronische knop. Herhaal deze stap twee keer om ervoor te zorgen dat de boiler wordt doorgespoeld en vol water zit. Het systeem wordt doorgespoeld. Het is normaal dat er aan het begin van de spoelmodus lucht uit komt. Spoel het systeem goed door: als er een gelijkmatige laminaire stroom uit de kraan komt, is het systeem goed doorgespoeld.



4. Schakel de boiler in.
5. Controleer de installatie na de inbedrijfstelling op lekkages.

Het water bereikt na ongeveer 15 minuten de kooktemperatuur.

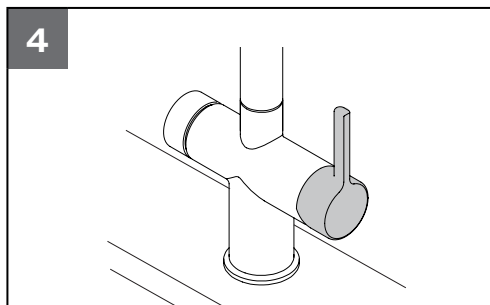
 **Waarschuwing:** Als er tijdens het verwarmen na 10 minuten geen expansiewater is ontsnapt via de veiligheidsgroep (zwart drukventiel) schakel de stroomtoevoer onmiddellijk uit en draai de kokendwaterkraan open om de waterdruk te ontlasten.

- ▶ De boiler is opgewarmd als de toets ON/STANDBY continu rood brandt.
6. Om de tank te reinigen moet de kokendwaterkraan geopend worden totdat er koud water uit komt.

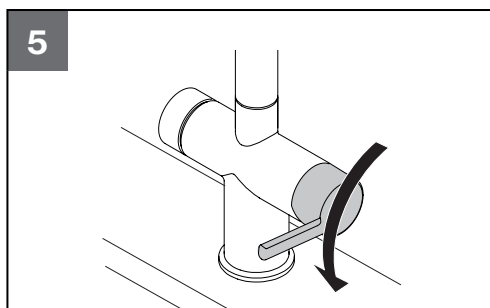
Kraanbediening

Bediening van de menghendel

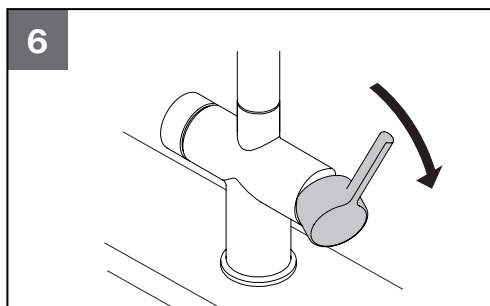
- Kies heet water (afb. 4).



- Kies koud water (afb. 5).

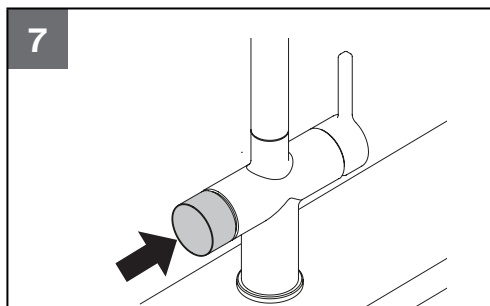


- Draai de mengkraan open (afb. 6).

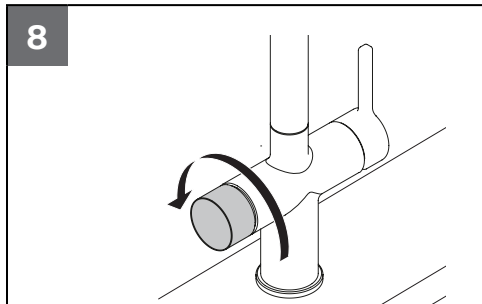


Bediening van de elektronische knop

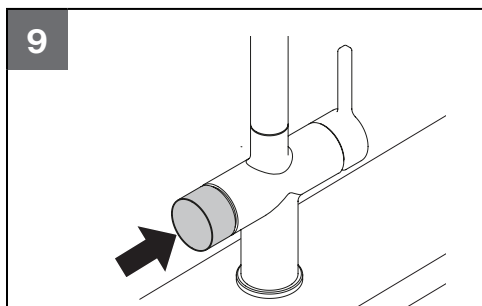
- Activeer de kraan: 1x kort indrukken (afb. 7).



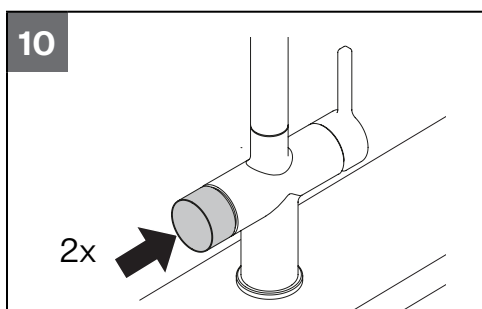
- Indrukken en naar achteren draaien (om de keuze kokend water te activeren, afb. 8).



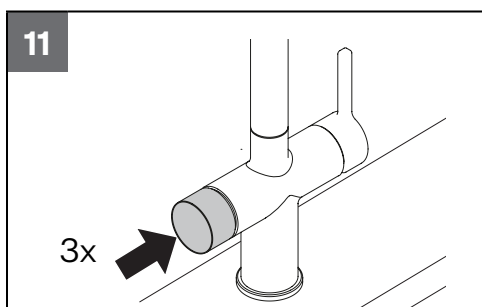
- Voor continu kokend water: houdt de keuzeknop ingedrukt (afb. 9).
Deactiveren: laat de knop los.



- Korte vulmodus: 2x kort indrukken (afb. 10).
Stopt automatisch.
Deactiveren: 1x kort indrukken.



- Lange vulmodus: 3x kort indrukken (afb. 11).
Stopt automatisch.
Deactiveren: 1x kort indrukken.



- ▶ Houd het te vullen voorwerp dicht bij de kraan, zodat het de uitstroomopening van de kraan omsluit. Zo voorkomt u dat het (hete) water gaat spetteren.
- ▶ Voor een optimaal resultaat bij het zetten van koffie of thee moet u ongeveer 1 kopje water laten doorlopen voordat u de pot vult. Op deze manier verdwijnen de luchtbelletjes uit het water, zodat er zich geen schuimlaagje op de thee vormt.

Vulmodus

- ▶ 2x kort indrukken om de pot te vullen.
Pot vullen: kokend water (rood) = 30 sec. stromen.
- ▶ 3x kort indrukken om de pot te vullen.
Pot vullen: kokend water (rood) = 60 sec. stromen.

Filter instellingen, gebruik en vervanging

1. Houd de elektronische knop ingedrukt (in de neutrale positie) gedurende 10 seconden ingedrukt.
2. Draai de elektronische knop naar achteren om de juiste kleur te selecteren uit de tabel op de volgende pagina, afhankelijk van de waterhardheid in uw omgeving. Houd de elektronische knop 2 seconden ingedrukt. De LED knippert 3 keer ter bevestiging en ga terug naar de neutrale positie.

De LED in de neutrale stand herinnert u er 1 maand vooraf dat het filter moet worden vervangen. De LED in de neutrale stand schakelt van wit naar oranje.

Als het filter de vervaldatum heeft bereikt, begint de oranje LED pulseren totdat het filter is vervangen.

Draai het gebruikte filter langzaam uit de filterkop.

Tijdens dit proces wordt de watertoevoerleiding hydraulisch losgekoppeld van de filterkop en wordt het systeem drukloos gemaakt; het kan gebeuren dat de druk piekt en dat er een kleine hoeveelheid drukontlastend water uit de filterkop ontsnapt.

Houd hier rekening mee en plaats een container eronder.

Herhaal stap 1 en 2 na het vervangen van het filter.

Als u uw systeem heeft geregistreerd, ontvangt u een herinnering via e-mail.



Het is verplicht om een Franke filter te gebruiken teneinde het product tegen kalkaanslag te beschermen. Het is verplicht om het filter te vervangen op basis van de waterhardheidstabel.

Waterhardheid	LED-kleur
<10°dh	lichtblauw
10-15°dh	geel
15-20°dh	lichtgroen
>20°dh	paars

Filter doorspoelen	
Na 1 week stilstand	2 liter
Na 2 weken stilstand	8 liter
Na 8 weken stilstand	Het filter moet vervangen worden.

Waterhardheid	Levensduur filter
<10°dH*	12 maanden
10-15°dH	10 maanden
15-20°dH	8 maanden
>20°dH	6 maanden

* Standaard instelling

Instellen LED intensiteit in slaapstand

Als de kraan 60 seconden niet wordt gebruikt schakelt deze automatisch over naar de slaapstand, 50% LED-intensiteit.

Om de instelling van de slaapmodus te wijzigen, moet u de onderstaande instructie volgen.

1. Activeer de kraan door eenmaal op de elektronische knop te drukken.
2. Druk 5 keer op de elektronische knop
3. De LED begint te knippen.
4. Draai de knop naar de gewenste stand door de knop naar voren of naar achteren te draaien.
 1. 50% intensiteit, standaard,
 2. 10% intensiteit,
 3. Volledig uitgeschakeld.
5. Druk na de selectie 2 seconden op de elektronische knop om te bevestigen. De kraan knippert 3 keer ter bevestiging.

Probleemoplossing

Boilermeldingen

LED-kleur	LED-activiteit	Beschrijving
Blauw	Knipperend	Er zit geen water in de boiler.
Blauw	Continu	Zelfcontrole inbedrijfstelling/systeem.
Oranje	Knipperend	Systeemstoring; neem contact op met de servicedienst van Franke.
Rood	Knipperend	Boiler warmt op.
Rood	Continu	Boiler is volledig opgewarmd.

Meldingen kraan

LED-kleur	LED-activiteit	Werking	Beschrijving
Rood	Continu	Kokend water	Er kan voor kokend water worden gekozen.
Rood	Roterend	Keuze van kokend water is bezig.	Keuze van kokend water is bezig.
Oranje	Continu	Filter	Filter is bijna leeg en moet binnen 1 maand worden vervangen.
Oranje	Knipperend	Filter	Filter is opgebruikt en moet direct worden vervangen.

Elektronische knop reageert niet

Oorzaak	Oplossing
Softwareprobleem.	Koppel de stroomtoevoer minstens 10 seconden los.
De kabelaan sluiting van de kraan is niet correct aangesloten.	Sluit de kabelaan sluiting correct aan.
Het stopcontact is niet op de stroom aangesloten.	Controleer de elektriciteitstoevoer. De elektrische groep is uitgevallen door een te hoge belasting. De boiler kan niet worden aangesloten op dezelfde elektriciteitsgroep als een vaatwasser.
De kabel of de aansluiting van de kraan is beschadigd of defect.	Neem contact op met Franke.

Waterlekkage

Oorzaak	Oplossing
Aansluiting lekt	Controleer koppelstuk(ken) en draai zo nodig opnieuw vast.
Slang(en) lekt/lekken	Controleer de slang(en) en vervang de lekkende slang(en).
Boiler lekt	Verwijder de stekker van de boiler uit het stopcontact. Sluit de watertoevoer af. Neem contact op met Franke.
Kraan lekt	Sluit de watertoevoer af. Neem contact op met Franke.

Kraan levert geen water

Oorzaak	Oplossing
Slang(en) is/zijn geknikt.	Controleer de slang(en) en vervang de geknikte slang(en).
De hoofdwaterkraan is gesloten.	Open de hoofdwaterkraan.
De stopkraan in het keukenkastje is gesloten.	Open de stopkraan.

Kraan levert geen kokend water

Oorzaak	Oplossing
Slang(en) is/zijn geknikt.	Controleer de slang(en) en vervang de geknikte slang(en).
Overdrukventiel is dicht.	Open deze door aan de knop te draaien.
Filter niet of niet correct geïnstalleerd.	Controleer of het filter goed vastzit. Draai naar buiten en draai weer terug.
Elektronische knop is niet verbonden met stopcontact.	Controleer of de elektrische aansluitingen zijn aangesloten.

Kraan levert geen warm water

Oorzaak	Oplossing
Slang(en) is/zijn geknikt.	Controleer de slang(en) en vervang de geknikte slang(en).
Boiler werkt niet.	Zie de tabel "Het water uit de kraan kookt niet".
Het warmwatertoestel werkt niet.	Raadpleeg de handleiding van uw warmwatertoestel, warmwaterondersteuning of bypass.

Het water uit de kraan kookt niet

Oorzaak	Oplossing
De stekker van de boiler zit niet in een stopcontact.	Steek de stekker in een geaard stopcontact.
Het stopcontact is niet op de stroom aangesloten.	Controleer de elektriciteitstoevoer. Het elektrische circuit is uitgevallen door een te hoge belasting. De boiler kan niet worden aangesloten op hetzelfde elektrische circuit als een vaatwasser.
De boiler is UIT (stand-by).	Zet de boiler AAN.
De boiler is niet volledig opgewarmd.	Wacht tot de boiler is opgewarmd.
De boiler is defect.	Neem contact op met Franke.

De boiler veroorzaakt kortsluiting

Oorzaak	Oplossing
Er is kortsluiting in de elektrische bedrading of in het verwarmingselement van de boiler.	Verwijder de stekker van de boiler uit het stopcontact. Neem contact op met Franke.
Geen water in de boiler. Led knippert blauw.	Vul de boiler met water.

Als u er niet uitkomt met uw storing of defect, neem dan contact op met de Franke servicedesk, installateur of verkoper.

Onderhoud

Algemeen onderhoud

- ▶ Reinig de kraan alleen met kraanreiniger van Franke. Bezoek onze Franke webshop.
- ▶ Gebruik geen reinigingsmiddelen die een oplosmiddel of zuur bevatten, zoals kalkverwijderaars, huishoudazijn of reinigingsmiddelen met azijnzuur. Deze bestanddelen beschadigen het oppervlak. De kraan wordt mat en krijgt krassen.
- ▶ Kalkaanslag kan worden voorkomen door de kraan na gebruik af te drogen.
- ▶ Mocht er toch kalkaanslag optreden, dan moet deze met een reinigingsmiddel op basis van citroenzuur worden verwijderd.
- ▶ Gebruik voor onderhoud of reparatie altijd originele onderdelen van Franke. Dit garandeert de veiligheid en de goede werking van het product en waarborgt eventuele garantieclaims.
- ▶ Vervanging of reparatie van onderdelen mag alleen door de servicedienst van Franke worden uitgevoerd.

Filter vervangen

- ▶ Draai het filter naar rechts om het uit de filterkop te verwijderen.
- ▶ Draai het nieuwe filter naar links om het te installeren.
- ▶ Reset de filterinstelling, zie pagina 16 in de installatiehandleiding (filter installeren).
- ▶ De filterkop heeft een ingebouwde automatische waterafsluitklep. Om het filter te vervangen hoeft de watertoevoer niet te worden afgesloten.

Ontkalken van het zeefje

- ▶ **Gebruik altijd een ontkalkingsmiddel op basis van citroenzuur.** Andere middelen beschadigen het materiaal!
- ▶ Het los- en vastdraaien kan worden vergemakkelijkt door een elastiek om de huls van de kraanbeluchter te wikkelen. Zorg ervoor dat de huls van de kraanbeluchter niet door het gebruik van gereedschap wordt beschadigd.
- ▶ In de loop der tijd ontstaat er op en naast de kraanbeluchter kalkaanslag.
- ▶ Schroef de huls van de kraanbeluchter los.
- ▶ Reinig de kraanbeluchter met een geschikt ontkalkingsmiddel.
- ▶ Plaats de kraanbeluchter in de huls.
- ▶ Plaats de pakking op de kraanbeluchter en draai de huls handvast aan.

Bekijk de details in de installatiehandleiding pagina 15.

Afvalverwijdering



Het symbool op het product of op de verpakking geeft aan dat het toestel niet bij het huisvuil mag worden weggegooid.

Door het toestel op de juiste manier weg te gooien, draagt u bij tot het voorkomen van schadelijke gevolgen voor het milieu en de gezondheid.

Meer informatie over het recyclen van het toestel kunt u opvragen bij de bevoegde instantie, de plaatselijke afvalverwerkingsdienst of de verkoper van het toestel.

Breng het weg te gooien toestel naar een gespecialiseerd inzamelpunt voor elektronische en elektrische apparaten.

In overeenstemming met het artikel van wetsbesluit nr. 15 van 25 juli, implementatie van richtlijn 2002/96/EG betreffende de vermindering van het gebruik van gevaarlijke stoffen die worden gebruikt in elektrische en elektronische apparaten, en in afvalverwijdering.

Het symbool van de doorgestreepte vuilnisbak op het toestel geeft aan dat het product aan het einde van zijn levensduur niet als huisvuil mag worden weggegooid.

Het toestel moet dus aan het einde van zijn levensduur naar een geschikt recyclingcentrum voor elektronisch en elektrotechnisch afval worden gebracht of bij de aankoop van een nieuw toestel van een gelijkwaardig type bij de dealer worden ingeleverd.

Een correcte gescheiden afvalinzameling van het afgedankte toestel voor latere recycling, verwerking en milieuvriendelijke afvalverwijdering helpt een mogelijk negatieve impact op het milieu en de gezondheid te voorkomen en vergemakkelijkt de recycling van de materialen die bij de constructie van het toestel zijn gebruikt.

Indice

Informazioni sul manuale	60
Informazioni per la sicurezza	60
Informazioni sul prodotto	62
Sistema	62
Miscelatore Active elettronico 3 in 1 con acqua bollente	62
Cassetta idraulica	62
Filtro	62
Caldaia	63
Installazione	64
Prerequisiti generali per l'installazione	64
Fasi di installazione	64
Funzionamento	64
Funzionamento della caldaia	64
Disattivazione della caldaia	65
Messa fuori servizio della caldaia	65
Prima accensione	65
Funzionamento del rubinetto	66
Funzionamento della leva di miscelazione	66
Funzionamento della manopola elettronica	66
Modalità di riempimento	67
Funzionamento e sostituzione del filtro	67
Selezione dell'intensità del LED neutro	68
Risoluzione dei problemi	68
Manutenzione	71
Manutenzione generale	71
Sostituzione del filtro	71
Decalcificazione dell'aeratore del rubinetto	71
Smaltimento	72


Informazioni sul manuale

Questo manuale contiene informazioni importanti per un'installazione e una messa in servizio sicure e corrette del prodotto.

Franke si riserva il diritto di apportare modifiche al prodotto senza preavviso. Tutte le informazioni sono corrette al momento della pubblicazione.


- ▶ Leggere attentamente le istruzioni per l'uso prima di utilizzare il dispositivo.


- ▶ Conservare le istruzioni per l'uso.
- ▶ Utilizzare il dispositivo descritto in queste istruzioni per l'uso solo conformemente all'uso previsto.

Simbolo	Significato
	Simbolo di pericolo. Avviso di pericolo di lesioni.
▶	Fase di azione. Specifica un'azione che deve essere compiuta.


Informazioni per la sicurezza


Generale


 Installare il prodotto come descritto nel manuale e conformemente alla normativa applicabile relativa all'installazione, alla sicurezza e alla fornitura di acqua locale!

 Non utilizzare il prodotto per scopi diversi da quelli previsti e descritti in questo manuale.


 Il prodotto non deve essere modificato.


 Inserire la spina solo in una presa a parete con messa a terra.

 Il rubinetto può essere utilizzato dai bambini di età inferiore ai 12 anni e dalle persone con capacità fisiche, sensoriali o mentali ridotte, o prive dell'esperienza o delle conoscenze necessarie, solo dietro sorveglianza o con un'adeguata formazione sull'utilizzo sicuro del prodotto, quando vi è la consapevolezza dei rischi che potrebbero insorgere dall'uso del prodotto e/o sistema.


 La pulizia e la manutenzione a carico dell'utente non devono essere eseguite da bambini o da persone con capacità fisiche,


sensoriali o mentali ridotte, o prive dell'esperienza e delle conoscenze necessarie, se non dietro sorveglianza.


 Non consentire ai bambini di giocare con il prodotto e/o sistema.


 Il prodotto e/o sistema è destinato all'uso in ambienti domestici e simili, quali:


- aree adibite a cucine del personale in negozi, uffici e altri ambienti lavorativi;
- per gli ospiti di hotel, motel e altri ambienti residenziali simili;
- bed and breakfast e altri ambienti residenziali simili.


 Per l'impiego in ambienti diversi, consultare il produttore del prodotto e/o sistema.


 Per evitare scosse elettriche, se il cavo di alimentazione è danneggiato, deve essere sostituito dal produttore, dal servizio di assistenza o da persone qualificate.


 Se necessario, lubrificare le guarnizioni O-ring soltanto con grasso di silicone.


 Per evitare il congelamento, il prodotto può essere installato solo all'interno di stanze non esposte al gelo.


 Osservare le istruzioni per la sicurezza per evitare lesioni fisiche e/o danni al prodotto e/o sistema.


 Rispettare le istruzioni relative alla manutenzione per evitare danni e un'usura eccessiva.

 Per via del miglioramento continuo dei nostri prodotti e/o sistemi, le illustrazioni contenute in questo documento potrebbero essere diverse dall'apparecchio consegnato.


 È possibile scaricare, se disponibile, l'ultima versione del manuale dal nostro sito web: **www.franke.com**


 Franke non accetta responsabilità relativa a costi, danni o lesioni personali qualora il prodotto non sia messo in esercizio conformemente alle istruzioni fornite in questo manuale.

 I modelli del rubinetto e della caldaia potrebbero essere diversi dai modelli illustrati nel manuale.


 **Attenzione:** non utilizzare mai strumenti seghettati per evitare danni. Laddove necessario, utilizzare sempre gli strumenti adatti per serrare l'accoppiamento.


Rubinetto


 Durante l'utilizzo dell'acqua calda, evitare ustioni e scottature e prestare attenzione. La temperatura dell'acqua calda potrebbe superare i 55 °C.


 Durante l'utilizzo dell'acqua bollente, evitare ustioni e scottature e prestare attenzione. La temperatura dell'acqua potrebbe superare i 100 °C.


Caldaia

 Prima della messa in servizio, assicurarsi che la caldaia sia riempita d'acqua.


 Evitare di sollevare o trasportare la caldaia tramite i tubi flessibili o il cavo di alimentazione di rete.


 Il dispositivo deve essere sempre collegato alla fornitura di acqua fredda.


 Prima di installare la caldaia, accertarsi che l'uscita della valvola limitatrice di pressione si trovi 8 cm al di sopra dell'attacco del tubo di scarico.


 Il tubo flessibile di drenaggio deve essere collegato con un gradiente continuo verso il basso e deve essere realizzato un sifone, pertanto potrebbe essere necessario tagliare il tubo flessibile di drenaggio.


Cartuccia filtrante


 L'impiego di un filtro Franke è obbligatorio per proteggere il prodotto dai depositi di calcare. È obbligatorio sostituire il filtro in base alla tabella di durezza dell'acqua.

 In caso di immagazzinamento a una temperatura di 0 °C, il filtro deve essere conservato a temperatura ambiente per 24 ore prima di essere installato.

 Evitare di aprire o arrecare danni alla cartuccia filtrante.

 È necessario effettuare un flussaggio intensivo della cartuccia filtrante e del sistema a seguito di un lungo periodo di inattività e/o durante i lavori di manutenzione (2 litri di acqua di flussaggio dopo 1 settimana di inattività; 10 litri di acqua di flussaggio dopo 4 settimane di inattività).

 La cartuccia filtrante deve essere sostituita se, dopo essere stata messa in servizio, è rimasta inattiva per 3 mesi.

 La mancata sostituzione del filtro invaliderà la garanzia.

Garanzia

Scansionare il codice QR per accedere alle linee guida sulla garanzia:



Informazioni sul prodotto

Sistema

Pressione della fornitura di acqua (min.)	100 kPa/14,5 psi/1 bar
Pressione della fornitura di acqua (max.)	500 kPa/72,5 psi/5 bar
Portata di acqua bollente	2-4 l/min * 2,5 bar
Portata di acqua fredda	5-9 l/min *
Portata di acqua calda	5-9 l/min *

* La portata può variare in base alla pressione della fornitura di acqua e al tipo di rubinetteria.

Requisiti di qualità dell'acqua

Valore del pH	7-9,5
---------------	-------

Miscelatore Active elettronico 3 in 1 con acqua bollente

Controllare i dettagli nel "Manuale di installazione" a pagina 5.

Cassetta idraulica

Controllare i dettagli nel "Manuale di installazione" a pagina 5.

Filtro

Controllare i dettagli nel "Manuale di installazione" a pagina 5.


Tipo di filtro	Franke Pro M
Diametro	95 mm
Altezza inclusa testa del filtro	295 mm
Testa del filtro	Baionetta / Parte separata

Rifiuti residui di smaltimento filtro

Decarbonizzazione	Sì
Odori	Sì
Cloro	Sì
Particelle	Sì
Microplastiche	Sì

Caldaia

Controllare i dettagli nel "Manuale di installazione" a pagina 6.

 **Attenzione:** la caldaia può essere installata solo in verticale (manopola di accensione/spegnimento sul fondo).

Caldaia	4 litri	7 litri
Dimensioni [alt. x largh.]	340 x 229 mm	494 x 229 mm
Peso netto	4,5 kg	5,5 kg
Contenuto	4 l	7 l
Tensione	220-240 V AC	220-240 V AC
Potenza	1650 W (+5%/-10%)	1650 W (+5%/-10%)
Carico	9,2 A	9,2 A
Modalità standby max.	14 W	14 W
Classificazione IP	IPX4	IPX4
Temperatura di stoccaggio	<105 °C	<105 °C
Tempo di riscaldamento [ΔT 100 K]	15 min	24 min
Pressione di funzionamento (max.)	800 kPa / 116 psi / 8 bar	800 kPa / 116 psi / 8 bar
Temperatura di esercizio	0-40 °C	0-40 °C
Alimentazione UE	Tipo E+F CEE 7/7 Schuko	Tipo E+F CEE 7/7 Schuko
Alimentazione UK	Tipo G/ BS 1363 British 3 perni	Tipo G/ BS 1363 British 3 perni
Profilo di carico dichiarato e utilizzo tipico	XXS	XXS
Classe di efficienza energetica del riscaldamento dell'acqua	A	A
Efficienza energetica del riscaldamento dell'acqua	38,9%	39,6%
Consumo annuo di elettricità	435 kWh	466 kWh
Impostazione della temperatura del termostato	103 °C	103 °C

Installazione

Prerequisiti generali per l'installazione Fasi di installazione

Effettuare le fasi seguenti prima di iniziare l'installazione.

1. Le valvole di arresto devono essere già installate.
2. Se la pressione dell'acqua è superiore a 5 bar, utilizzare una valvola riduttrice di pressione (3 bar).
3. Chiudere le valvole di arresto.
4. Nel caso di un'installazione esistente, rimuovere la rubinetteria, i tubi flessibili e la caldaia qualora siano ancora presenti.
5. Contrassegnare il collegamento esistente per l'acqua fredda e quello per l'acqua calda.
6. Per l'allacciamento devono essere disponibili due prese elettriche a parete.



Installare la valvola limitatrice di pressione il più in alto possibile nel mobile della cucina.

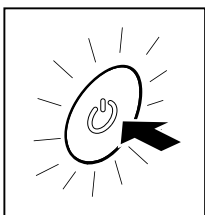
Controllare i dettagli nel "Manuale di installazione", pagine 3-16.

1. Installazione della rubinetteria 3-in-1 (v. pagina 7)
2. Installazione del filtro (v. pagina 8)
3. Installazione della valvola limitatrice di pressione (v. pagina 8)
4. Collegamento del tubo flessibile di drenaggio (v. pagina 9)
5. Installazione della caldaia (v. pagina 9)
6. Installazione della cassetta idraulica (v. pagina 10)
7. Collegamento della cassetta idraulica (v. pagina 10)
8. Attivazione della cassetta idraulica (v. pagina 11)
9. Flussaggio della caldaia (v. pagina 11)
10. Attivazione della caldaia (v. pagina 11)
11. Installazione con WWS (v. pagine 12 e 13)
12. Installazione con bypass (v. pagine 14 e 15)
13. Messa in servizio (v. pagina 11)

Funzionamento

Funzionamento della caldaia

- ▶ Premendo brevemente il pulsante ON/STANDBY è possibile passare dalla modalità caldaia ON a STANDBY e viceversa.



ON: il LED è sempre acceso con luce rossa.

OFF: il LED è spento.

Quando la caldaia è rimasta spenta per una settimana, si raccomanda di osservare la seguente procedura prima dell'uso:

- ▶ Accendere la caldaia. Attendere che l'acqua della caldaia arrivi a temperatura.
- ▶ Aprire il rubinetto dell'acqua della caldaia ed eseguire il flussaggio della linea dell'acqua bollente finché dal rubinetto fuoriesce acqua fredda.



Attenzione: assicurarsi che l'acqua non venga nebulizzata durante il flussaggio.

- ▶ Riscaldare di nuovo l'acqua della caldaia.

Disattivazione della caldaia

1. Rimuovere la spina della caldaia dalla presa a parete.
2. Avviare il flusso dell'acqua sulla manopola elettronica.
3. Attendere la fuoriuscita dell'acqua fredda.
4. Interrompere il flusso dell'acqua sulla manopola elettronica.
5. Chiudere la valvola di arresto.
6. Avviare il flusso dell'acqua sulla manopola elettronica.
7. Attendere fino a quando l'acqua smette di fuoriuscire.
8. Interrompere il flusso dell'acqua sulla manopola elettronica.


9. Scollegare le tubazioni flessibili dalla caldaia.
10. Rimuovere la caldaia.
11. Consentire il drenaggio nel lavello dell'acqua dai tubi flessibili e dalla caldaia.

Messa fuori servizio della caldaia

Nel caso in cui si preveda di non aver bisogno di acqua bollente per un periodo di tempo prolungato, come per esempio durante le vacanze, è possibile spegnere (temporaneamente) la caldaia:

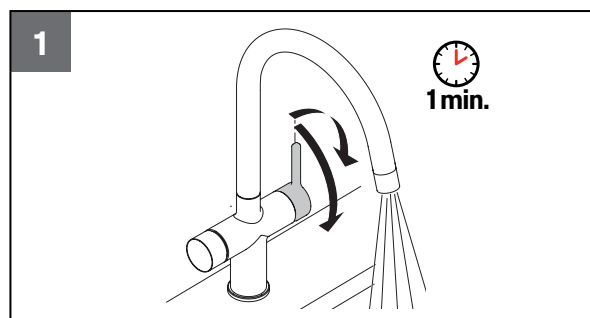
- Utilizzare la modalità STANDBY della caldaia o staccare la spina dalla presa a parete per evitare che la caldaia si riscaldi.

Prima accensione

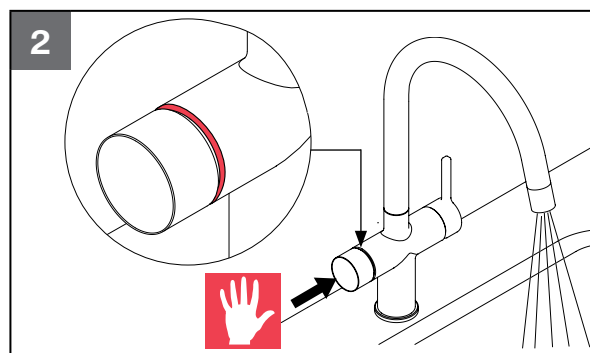
 Assicurarsi che la caldaia sia riempita d'acqua!

Caldaia

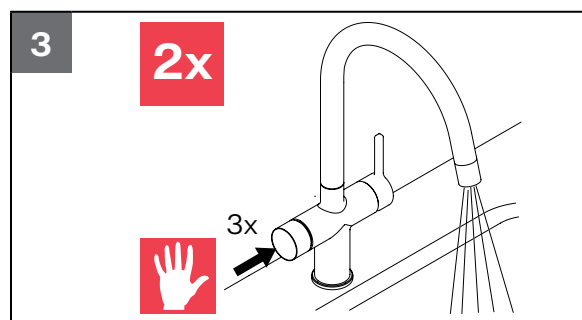
1. Operare sul miscelatore e fluxare con acqua tiepida per 1 minuto (fig. 1).



2. Attivare la manopola elettronica e selezionare l'acqua bollente (LED rosso) (fig. 2).



3. Premere la manopola elettronica 3 volte. Ripetere questa fase due volte per garantire che venga effettuato il flussaggio della caldaia e che questa sia piena d'acqua (fig. 3). Verrà effettuato il flussaggio del sistema. È normale che all'inizio della modalità di flussaggio fuoriesca aria. Quando dal rubinetto esce un flusso laminare regolare, il flussaggio del sistema è stato effettuato correttamente.



4. Accendere la caldaia.
5. Ispezionare l'installazione per rilevare eventuali perdite dopo la messa in servizio. L'acqua raggiunge la temperatura di ebollizione dopo circa 15 minuti.

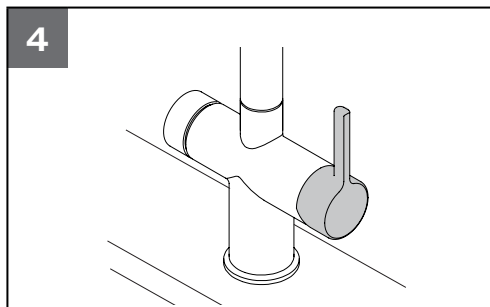
⚠ Attenzione: se durante il riscaldamento l'acqua di espansione non è fuoriuscita dal gruppo di sicurezza (valvola di pressione nera), dopo 10 minuti interrompere immediatamente l'alimentazione elettrica e aprire il rubinetto dell'acqua bollente per scaricare la pressione dell'acqua.

- ▶ La caldaia è riscaldata quando il pulsante ON/STANDBY mostra una luce rossa fissa.
- 6. Per pulire il serbatoio, attivare il rubinetto dell'acqua bollente fino all'uscita dell'acqua fredda.

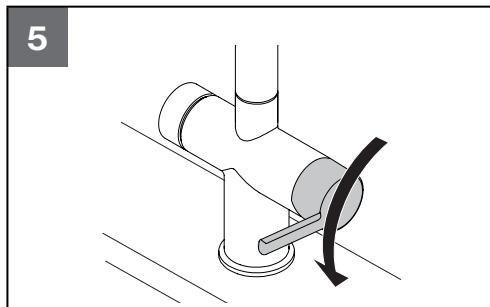
Funzionamento del rubinetto

Funzionamento della leva di miscelazione

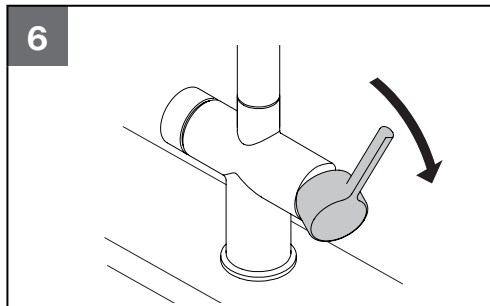
- ▶ Selezionare l'acqua calda (fig. 4).



- ▶ Selezionare l'acqua fredda (fig. 5).

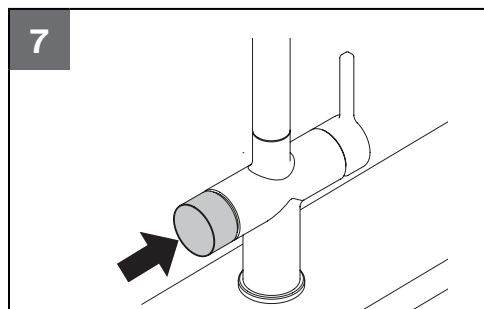


- ▶ Aprire il miscelatore (fig. 6).

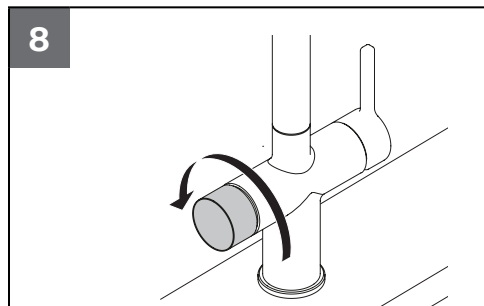


Funzionamento della manopola elettronica

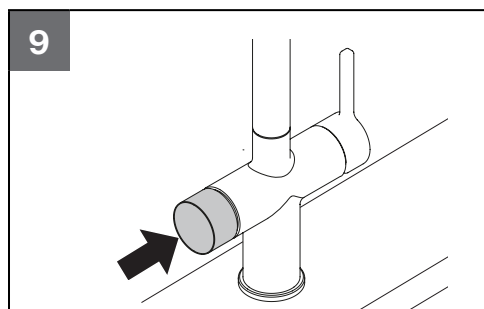
- ▶ Attivare il rubinetto: premere brevemente 1 volta (fig. 7).



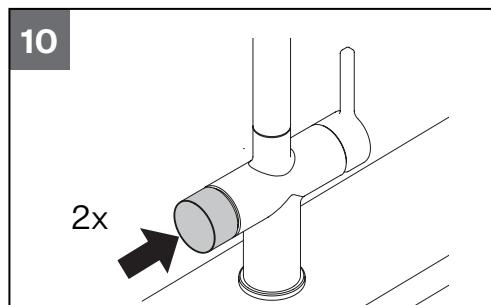
- ▶ Premere e ruotare all'indietro per attivare la selezione dell'acqua bollente (fig. 8).



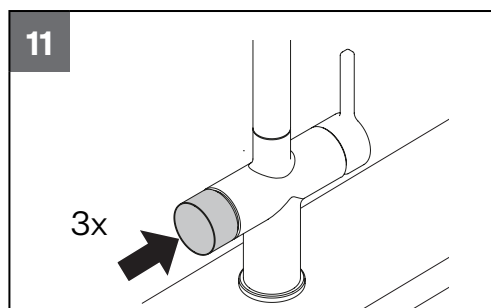
- ▶ Per un'ebollizione continua dell'acqua: tenere premuta la manopola di selezione (fig. 9). Disattivazione: rilasciare la manopola.



- Modalità di riempimento breve: premere brevemente per 2 volte (fig. 10). Si arresta automaticamente. Disattivazione: premere brevemente 1 volta.



- Modalità di riempimento lunga: premere brevemente 3 volte (fig. 11). Si arresta automaticamente. Disattivazione: premere brevemente 1 volta.



- Tenere il contenitore da riempire vicino al rubinetto, in modo che circondi l'apertura di erogazione dello stesso. In questo modo si evitano gli schizzi d'acqua (calda).
- Per risultati ottimali nella preparazione di caffè o tè, lasciar scorrere circa 1 tazza d'acqua prima di utilizzare il rubinetto. In questo modo, le bolle d'aria presenti nell'acqua scompaiono e viene evitata la formazione di schiuma sulla superficie del tè.

Modalità di riempimento

- Premere brevemente 2 volte per riempire la pentola.

Riempimento pentola: acqua bollente (rosso) = flusso di 30 secondi

- Premere brevemente 3 volte per riempire la pentola.

Riempimento pentola: acqua bollente (rosso) = flusso di 60 secondi

Funzionamento e sostituzione del filtro

1. Tenere premuta la manopola elettronica (in posizione neutra) per 10 secondi.
2. Ruotare la manopola elettronica all'indietro per selezionare il colore corretto dalla tabella della pagina successiva, in base alla durezza dell'acqua nella propria zona. Tenere premuta la manopola elettronica per 2 secondi. Il LED lampeggia 3 volte in segno di conferma e torna in posizione neutra.

Il LED in posizione neutra segnala con 1 mese di anticipo la necessità di sostituire il filtro. Il LED in modalità neutra passa da bianco ad arancione. Se il filtro ha raggiunto la data di scadenza, il LED arancione inizia a pulsare finché il filtro non viene sostituito.

Ruotare lentamente il filtro usato dalla testa del filtro.

Durante questo processo, la linea di alimentazione dell'acqua viene scollegata idraulicamente dalla testa del filtro e il sistema viene depressurizzato; può accadere che la pressione raggiunga dei picchi e che una

piccola quantità di acqua di scarico di pressione fuoriesca dalla testa del filtro.

Tenere a mente questo fatto e posizionare un apposito contenitore al di sotto.

Dopo la sostituzione del filtro, ripetere le fasi 1 e 2. Se avete registrato il vostro sistema, riceverete un promemoria via e-mail.



L'impiego di un filtro Franke è obbligatorio per proteggere il prodotto dai depositi di calcare. È obbligatorio sostituire il filtro in base alla tabella di durezza dell'acqua.

Durezza acqua	Colore del LED
<10 °dh	Azzurro
10-15 °dh	Giallo
15-20 °dh	Verde chiaro
>20 °dh	Viola

Flussaggio del filtro		Durezza acqua	Durata del filtro
Dopo 1 settimana di stagnazione	2 litri	<10 °dH*	12 mesi
Dopo 2 settimane di stagnazione	10 litri	10-15 °dH	10 mesi
Dopo 8 settimane di stagnazione	Il filtro deve essere sostituito.	15-20 °dH	8 mesi
		>20 °dH	6 mesi

* impostazione predefinita

Selezione dell'intensità del LED neutro

Dopo 60 secondi di inutilizzo del rubinetto, questo passa automaticamente alla modalità di riposo, con un'intensità del LED del 50%. Per modificare l'impostazione della modalità di riposo è necessario seguire le istruzioni riportate di seguito.

1. Attivare il rubinetto premendo una volta la manopola elettronica.
2. Premere la manopola elettronica 5 volte.
3. Il LED inizia a lampeggiare.
4. Ruotare la manopola sull'impostazione preferita ruotando la manopola in avanti o all'indietro:
 1. Intensità del 50%, predefinita,
 2. Intensità del 10%,
 3. Spegnimento completo.
5. Dopo la selezione, premere la manopola elettronica per 2 secondi per confermare. Il rubinetto lampeggia 3 volte in segno di conferma.

Risoluzione dei problemi

Messaggi della caldaia

Colore del LED	Funzionamento del LED	Descrizione
Blu	Lampeggiante	Assenza di acqua nella caldaia.
Blu	Fisso	Messa in funzione/autoverifica del sistema.
Arancione	Lampeggiante	Guasto del sistema; contattare il servizio di assistenza Franke.
Rosso	Lampeggiante	La caldaia si sta riscaldando.
Rosso	Fisso	La caldaia è completamente riscaldata.

Messaggi della rubinetteria

Colore del LED	Funzionamento del LED	Funzione	Descrizione
Rosso	Fisso	Bollitura acqua	È possibile selezionare l'acqua bollente.
Rosso	Rotante	Selezione dell'acqua bollente in corso.	Selezione dell'acqua bollente in corso.
Arancione	Fisso	Filtro	La cartuccia del filtro è quasi finita e deve essere sostituita entro un mese.
Arancione	Pulsante	Filtro	Il filtro si è consumato e deve essere sostituito immediatamente.

La manopola elettronica non risponde

Causa	Rimedio
Problema software.	Scollegare l'alimentazione per almeno 10 secondi.
Il connettore del cavo del rubinetto non è correttamente innestato.	Collegare saldamente il connettore del cavo.
Non è presente fornitura elettrica dalla presa a parete.	Controllare l'alimentazione elettrica. Il gruppo elettrico ha subito un guasto a causa di un carico eccessivo. La caldaia non può essere collegata al gruppo elettrico utilizzato da una lavastoviglie.
Il cavo o il connettore del rubinetto è danneggiato o disturbato.	Contattare Franke.

Perdite d'acqua

Causa	Rimedio
Perdite dal collegamento	Ispezionare l'accoppiamento/gli accoppiamenti e serrare nuovamente, se necessario.
Perdite dai tubi flessibili	Ispezionare il/i tubo/i flessibile/i e sostituire in caso di perdita.
Perdita dalla caldaia	Rimuovere la spina della caldaia dalla presa a parete. Chiudere la fornitura di acqua. Contattare Franke.
Perdita dal rubinetto	Chiudere la fornitura di acqua. Contattare Franke.

Il rubinetto non fornisce acqua

Causa	Rimedio
Tubo/i flessibile/i attorcigliato/i.	Ispezionare il/i tubo/i flessibile/i e raddrizzarlo/i se attorcigliato/i.
La valvola principale dell'acqua è chiusa.	Aprire la valvola principale dell'acqua.
La valvola di arresto nel mobile della cucina è chiusa.	Aprire la valvola di arresto.

Il rubinetto non fornisce acqua bollente

Causa	Rimedio
Tubo/i flessibile/i attorcigliato/i.	Ispezionare il/i tubo/i flessibile/i e raddrizzarlo/i se attorcigliato/i.
La valvola limitatrice di pressione è chiusa.	Aprire ruotando la manopola.
Filtro non installato o non correttamente installato.	Assicurarsi che il filtro sia bloccato. Estrarlo e reinserirlo.
Manopola elettronica non collegata alla presa.	Assicurarsi che i collegamenti elettrici siano collegati.

Il rubinetto non eroga acqua calda

Causa	Rimedio
Tubo/i flessibile/i attorcigliato/i.	Ispezionare il/i tubo/i flessibile/i e raddrizzarlo/i se attorcigliato/i.
Caldaia non funzionante.	Vedere tabella "L'acqua del rubinetto non è bollente".
Apparecchio per acqua calda non funzionante.	Consultare il manuale dell'apparecchio per acqua calda, del supporto per acqua calda o del bypass.

L'acqua del rubinetto non è bollente

Causa	Rimedio
La spina della caldaia non è stata inserita in una presa a parete.	Inserire la spina in una presa a parete dotata di messa a terra.
Non è presente fornitura elettrica dalla presa a parete.	Controllare l'alimentazione elettrica. Il circuito elettrico ha subito un guasto a causa di un carico eccessivo. La caldaia non può essere collegata al circuito elettrico utilizzato da una lavastoviglie.
La caldaia è spenta (modalità standby).	Accendere la caldaia.
La caldaia non si è riscaldata completamente.	Attendere il riscaldamento della caldaia.
La caldaia è difettosa.	Contattare Franke.

La caldaia provoca un cortocircuito

Causa	Rimedio
È presente un cortocircuito nel cablaggio elettrico o nell'elemento riscaldante della caldaia.	Rimuovere la spina della caldaia dalla presa a parete. Contattare Franke.
Assenza di acqua nella caldaia. Il LED lampeggia con luce blu.	Riempire d'acqua la caldaia.

Se non si riesce a gestire il malfunzionamento o il guasto, contattare il servizio di assistenza Franke, l'installatore o il rivenditore.

Manutenzione

Manutenzione generale

- ▶ Pulire il rubinetto solo con detergente per rubinetti Franke. Visitate il nostro negozio online Franke.
- ▶ Evitare di utilizzare agenti per la pulizia contenenti solventi o acidi, come anticalcare, aceto o agenti pulenti con acido acetico. Queste sostanze danneggiano la superficie. Il rubinetto diventa opaco e graffiato.
- ▶ È possibile evitare la formazione di calcare asciugando il rubinetto dopo l'uso.
- ▶ Se dovessero comunque formarsi depositi di calcare, rimuoverli utilizzando un agente pulente a base di acido citrico.
- ▶ Utilizzare sempre parti originali Franke per la manutenzione o le riparazioni. Questo garantisce la sicurezza ed il funzionamento corretto del prodotto e salvaguarda tutte le prestazioni di garanzia.
- ▶ La sostituzione o la riparazione di parti può essere effettuata esclusivamente da Franke Service.

Sostituzione del filtro

- ▶ Ruotare il filtro in senso orario per rimuoverlo dalla testa del filtro.
- ▶ Ruotare il nuovo filtro in senso antiorario per installarlo. Ripristinare l'impostazione del filtro - v. pagina 16 del "Manuale di installazione" (installazione del filtro).


- ▶ La testa del filtro è dotata di una valvola di arresto automatico integrata. Non è necessario isolare l'alimentazione dell'acqua per sostituire il filtro.

Decalcificazione dell'aeratore del rubinetto

- ▶ **Utilizzare sempre un agente decalcificante a base di acido citrico.** Altre sostanze danneggiano il materiale!
 - ▶ È possibile semplificare l'allentamento ed il serraggio avvolgendo un elastico attorno all'alloggiamento dell'aeratore del rubinetto. Assicurarsi che l'alloggiamento dell'aeratore del rubinetto non venga danneggiato dall'impiego di strumenti.
 - ▶ Con il passare del tempo, si formeranno depositi di calcare sull'aeratore del rubinetto e attorno ad esso.
 - ▶ Svitare l'alloggiamento dell'aeratore del rubinetto.
 - ▶ Pulire l'aeratore del rubinetto con un decalcificante adatto.
 - ▶ Inserire l'aeratore del rubinetto nell'alloggiamento.
 - ▶ Porre la guarnizione piatta sull'aeratore del rubinetto e serrare l'alloggiamento a mano.
- Verificare i dettagli nel "Manuale di installazione" a pagina 15.

Smaltimento



Questo simbolo sul prodotto o sulla confezione indica che il dispositivo non  deve essere smaltito con i normali rifiuti domestici.

L'adeguato smaltimento del dispositivo contribuisce a evitare conseguenze dannose per l'ambiente e la salute.

Maggiori informazioni sul riciclaggio del dispositivo possono essere ottenute dall'autorità competente, dal servizio di smaltimento rifiuti locale o dal fornitore del dispositivo.

Smaltire il dispositivo presso un punto di raccolta rifiuti specializzato per dispositivi elettrici ed elettronici.

Smaltimento ai sensi dell'articolo del Decreto legislativo n. 15 datato 25 luglio, Applicazione della direttiva 2002/96/CE, riguardante la riduzione delle sostanze pericolose utilizzate nei dispositivi elettrici ed elettronici e lo smaltimento dei rifiuti.

Il simbolo del bidone dei rifiuti barrato presente sul dispositivo indica che al termine della sua vita utile il prodotto non deve essere smaltito insieme ai comuni rifiuti domestici.

Quindi, quando il dispositivo raggiunge la fine della sua vita operativa, l'utilizzatore deve conferirlo a un apposito centro di riciclaggio di rifiuti elettrici ed elettronici oppure restituirlo al negoziante in caso di acquisto di un nuovo dispositivo di tipo equivalente.

L'adeguata raccolta differenziata del dispositivo rottamato per il successivo riciclaggio, trattamento e smaltimento ecocompatibile contribuisce a evitare un impatto potenzialmente negativo sull'ambiente e sulla salute e facilita il riciclaggio dei materiali utilizzati nella produzione del dispositivo.

Índice

Acerca de este manual	74
Información de seguridad	74
Información del producto	76
Sistema	76
Grifería Active de agua hirviendo 3 en 1 electrónica	76
Caja hidráulica	76
Filtro	76
Caldera	77
Instalación	78
Pasos iniciales generales para la instalación	78
Pasos de instalación	78
Funcionamiento	78
Funcionamiento de la caldera	78
Retirada de la caldera del servicio	79
Puesta de la caldera fuera de funcionamiento	79
Encendido inicial	79
Funcionamiento de la grifería	80
Funcionamiento de la palanca mezcladora	80
Funcionamiento del mando electrónico	80
Modo de llenado	81
Funcionamiento y reemplazo del filtro	81
Selección de intensidad de LED neutra	82
Resolución de problemas	82
Mantenimiento	85
Mantenimiento general	85
Sustitución del filtro	85
Descalcificación del aireador de la grifería	86
Eliminación	86

Acerca de este manual

Este manual contiene información importante para la instalación y la puesta en funcionamiento segura y adecuada del producto.

Franke se reserva el derecho de hacer modificaciones al producto sin previo aviso. Toda la información es correcta en la fecha de su publicación.

- ▶ Lea detenidamente el manual del usuario antes de utilizar el dispositivo.

- ▶ Conserve el manual del usuario.
- ▶ Use el dispositivo descrito en este manual del usuario únicamente para su uso previsto.

Símbolo	Significado
	Símbolo de advertencia. Advertencia contra riesgos de lesiones.
	Paso. Especifica una acción que debe realizarse.

Información de seguridad

Generalidades

Instale el producto tal y como se describe en este manual y conforme a las regulaciones aplicables de instalación, seguridad y abastecimiento local de agua.

No utilice el producto para fines distintos al uso previsto descrito en el presente manual.

No debe modificarse el producto.

Inserte el enchufe únicamente en una toma de pared con conexión a tierra.

Este producto y/o sistema puede ser utilizado por niños mayores de 12 años y por personas con capacidades físicas, sensoriales o mentales reducidas o que carezcan de la experiencia o conocimientos necesarios solo bajo supervisión o tras haber recibido formación sobre el uso seguro del producto y cuando sean conscientes de los peligros que puedan derivarse del uso del producto y/o sistema.

Los niños y las personas con capacidades físicas, sensoriales o mentales reducidas o que carezcan de la experiencia

o conocimientos necesarios no deberán realizar la limpieza ni el mantenimiento sin supervisión.


Impida que los niños jueguen con el producto o el sistema.


Este producto o sistema están diseñados para su uso en entornos domésticos y similares, como:


- Cocinas de personal en establecimientos comerciales, oficinas y otros entornos laborales;
- Habitaciones de huéspedes en hoteles, moteles y otros entornos residenciales similares;
- Establecimientos que ofrecen alojamiento y desayuno y otros entornos residenciales similares.


Puede utilizarse en otros entornos previa consulta con el fabricante del producto y/o el sistema.


Si el cable de alimentación está dañado, el fabricante, el servicio de atención al cliente del fabricante o una persona cualificada debe sustituirlo para evitar cualquier tipo de riesgo.


 En caso necesario, lubrique las juntas tóricas solo con aceite de silicona.


 Para evitar su congelación, el producto solo puede instalarse en espacios sin congelación.


 Deben respetarse las instrucciones de seguridad para evitar lesiones físicas y/o daños en el producto y/o sistema.


 Deben respetarse las instrucciones de mantenimiento para evitar daños y desgaste excesivo.

 Como resultado de las mejoras constantes de nuestros productos y sistemas, las ilustraciones del presente documento pueden diferir del equipo que se entrega al cliente.


 En caso de estar disponible, puede descargar la última versión del manual a través de nuestra página web: www.franke.com


 Franke no asume ninguna responsabilidad por los costes, daños materiales y lesiones corporales provocados por el producto si no se utiliza conforme a las instrucciones indicadas en este manual.

 La grifería, el filtro Pro M y el modelo de caldera pueden diferir del modelo mostrado en el manual.


 **Cuidado:** Para evitar daños, nunca utilice herramientas dentadas. Cuando sea necesario, utilice siempre las herramientas apropiadas para tensar el enganche.


Grifería


 Evite quemaduras y escaldaduras, y preste atención cuando utilice el agua caliente. La temperatura del agua caliente puede ser superior a 55 °C.


 Evite quemaduras y escaldaduras, y preste atención cuando utilice el agua hirviendo. La temperatura del agua puede ser superior a 100 °C.


Caldera

 Antes de la puesta en marcha, asegúrese de que la caldera esté llena de agua.


 Nunca recoja ni transporte la caldera tomándola por las mangueras o la conexión a la red eléctrica.


 El aparato siempre debe conectarse al suministro de agua fría.

 Antes de instalar la caldera, asegúrese de que la salida de la válvula de alivio de presión esté 8 cm por encima de la conexión del tubo de desagüe.


 La manguera de drenaje debe conectarse con una pendiente continua hacia abajo y se debe hacer un sifón; por lo tanto, tenga en cuenta que es posible que deba cortar la manguera de drenaje.


Filtro


 Es obligatorio utilizar un filtro de Franke para proteger el producto contra los depósitos de cal. Es obligatorio cambiar el filtro según la tabla de dureza del agua.

 Tras un almacenamiento a 0 °C, el filtro debe almacenarse durante 24 horas a temperatura ambiente antes de instalarlo.

 El filtro no debe abrirse ni dañarse.

 El filtro y el sistema deben enjuagarse de forma intensa tras un período prolongado de parada y/o durante las tareas de mantenimiento (2 litros de agua de enjuague tras 1 semana de parada; 10 litros de agua de enjuague tras 4 semanas de parada).

 El filtro debe sustituirse si, tras la puesta en marcha, no se ha puesto en funcionamiento durante 3 meses.

 No reemplazar su filtro invalidará su garantía.

Garantía

Escanee el código QR para acceder a las pautas de garantía:



Información del producto

Sistema

Presión del suministro de agua (mín.)	100 kPa / 14,5 psi / 1 bar
Presión del suministro de agua (máx.)	500 kPa / 72,5 psi / 5 bar
Caudal del agua hirviendo	2-4 l/min * 2,5 bares
Caudal del agua fría	5-9 l/min. *
Caudal del agua caliente	5-9 l/min. *

*El caudal varía en función de la presión del suministro de agua y del tipo de grifería.

Requisitos de calidad del agua

Valor pH	7-9,5
----------	-------

Grifería Active de agua hirviendo 3 en 1 electrónica

Consulte los detalles en el «Manual de instalación» página 5.

Caja hidráulica

Consulte los detalles en el «Manual de instalación» página 5.

Filtro

Consulte los detalles en el «Manual de instalación» página 5.


Tipo de filtro	Franke Pro M
Diámetro	95 mm
Altura incluida. cabezal de filtro	295 mm
Cabezal de filtro	Bayoneta / Parte separada

Eliminación de filtros de residuos

Descarbonización	Sí
Olor	Sí
Cloro	Sí
Partículas	Sí
Microplásticos	Sí

Caldera

Consulte los detalles en el «Manual de instalación» página 6.

 **Advertencia:** Solo es posible la instalación vertical de la caldera (mando de encendido/apagado en la parte inferior).

Caldera	4 litros	7 litros
Dimensiones [Al x An]	340 x 229 mm	494 x 229 mm
Peso neto	4,5 kg	5,5 kg
Contenido	4 l	7 l
Tensión	220-240 V CA	220-240 V CA
Potencia	1650 W (+5%/-10%)	1650 W (+5%/-10%)
Carga	9,2 A	9,2 A
Modo Standby máx.	14 W	14 W
Clasificación IP	IPX4	IPX4
Temperatura de almacenamiento	<105 °C	<105 °C
Tiempo de calefacción [ΔT 100 K]	15 minutos	24 minutos
Presión de operación (máx.)	800 kPa / 116 psi / 8 bar	800 kPa / 116 psi / 8 bar
Temperatura de operación	0-40 °C	0-40 °C
Adaptador de alimentación eléctrica UE	Tipo E+F CEE 7/7 Schuko	Tipo E+F CEE 7/7 Schuko
Adaptador de alimentación eléctrica UK	Tipo G/ BS 1363 Británico 3 pines	Tipo G/ BS 1363 Británico 3 pines
Perfil de carga declarado y uso típico	XXS	XXS
Clase de eficiencia energética de calentamiento de agua	A	A
Eficiencia energética de calentamiento de agua	38,9%	39,6%
Consumo eléctrico anual	435 kWh	466 kWh
Ajuste de temperatura del termostato	<103 °C	<103 °C

Instalación

Pasos iniciales generales para la instalación

Realice los siguientes pasos antes de iniciar la instalación.

1. Las válvulas de parada ya deben estar instaladas.
2. Si la presión del agua es superior a 5 bar, utilice una válvula reductora de presión (3 bar).
3. Cierre las válvulas de parada.
4. En instalaciones existentes, retire la grifería, las mangueras y la caldera si todavía están en su sitio.
5. Marque la conexión existente de agua caliente y fría.
6. Debe haber dos conectores de pared disponibles para su conexión.



Instale la válvula de alivio de presión lo más alto posible en el gabinete de la cocina.

Pasos de instalación

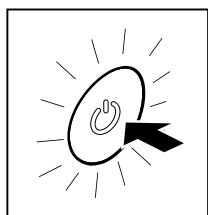
Consulte los detalles en el «Manual de instalación» páginas 3-16.

1. Instalación de la grifería 3 en 1 (véase página 7)
2. Instalación del filtro (véase página 8)
3. Instalación de la válvula de alivio de presión (véase página 8)
4. Conexión de la manguera de drenaje (véase página 9)
5. Instalación de la caldera (véase página 9)
6. Instalación de la caja hidráulica (véase página 10)
7. Conexión de la caja hidráulica (véase página 10)
8. Activación de la caja hidráulica (véase página 11)
9. Descarga de la caldera (véase página 11)
10. Activación de la caldera (véase página 11)
11. Instalación WWS (véanse páginas 12 y 13)
12. Instalación con bypass (véanse páginas 14 y 15)
13. Puesta en marcha (véase página 11)

Funcionamiento

Funcionamiento de la caldera

- Pulsando brevemente el botón ON/STANDBY cambia entre los modos de la caldera ON y STANDBY.



ON: El LED está continuamente en rojo.

OFF: El LED está apagado.

Cuando encienda la caldera después de una semana, recomendamos seguir el procedimiento siguiente antes del uso:

- Encienda la caldera. Espere a que el agua de la caldera alcance la temperatura prevista.
- Abra la grifería de agua hirviendo y descargue la tubería de agua hirviendo hasta que salga agua fría de la grifería.



Cuidado: Asegúrese de que el agua no se atomice durante la descarga.

- Caliente el agua de la caldera de nuevo.

Retirada de la caldera del servicio

1. Retire el conector de la caldera del enchufe de la pared.
2. Inicie el flujo de agua con el mando electrónico.
3. Espere hasta que salga agua fría.
4. Detenga el flujo de agua con el mando electrónico.
5. Cierre la válvula de parada.
6. Inicie el flujo de agua con el mando electrónico.
7. Espere hasta que no salga agua.
8. Detenga el flujo de agua con el mando electrónico.

9. Desconecte las mangueras de la caldera.
10. Retire la caldera.
11. Permita que el agua de las mangueras y la caldera drene en el fregadero.

Puesta de la caldera fuera de funcionamiento

Si cree que no va a necesitar el agua hirviendo durante un periodo de tiempo prolongado, como durante las vacaciones, puede apagar la caldera (temporalmente):

- Utilice el modo STANDBY de la caldera o retire el conector del enchufe de la pared para evitar que la caldera se caliente.

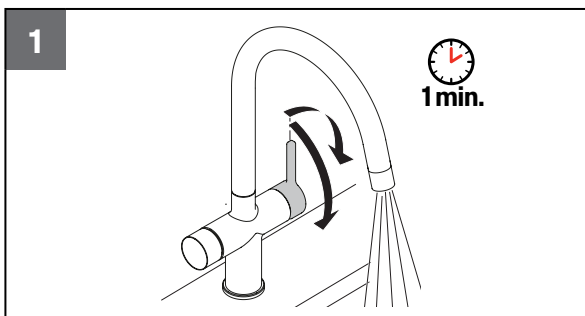
Encendido inicial



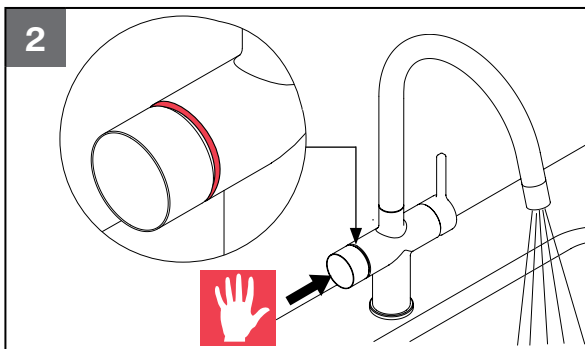
Asegúrese de que la caldera esté llena de agua.

Caldera

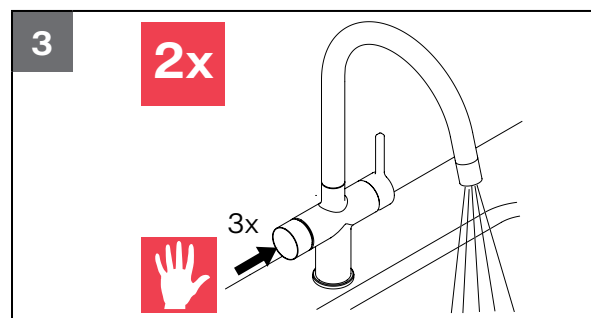
1. Maneje la grifería mezcladora y enjuague con agua tibia durante 1 minuto (fig. 1).



2. Active el mando electrónico y seleccione el agua hirviendo (LED rojo) (fig. 2).



3. Presione el mando electrónico 3 veces. Repita este paso dos veces para asegurarse de que la caldera esté enjuagada y llena de agua. El sistema se enjuagará. Es normal que al inicio del modo de enjuague salga aire. Cuando sale un flujo laminar suave de la grifería, el sistema está correctamente lavado.



4. Encienda la caldera.
 5. Inspeccione la instalación para buscar fugas tras la puesta en marcha.
- El agua alcanza la temperatura de hervido tras aproximadamente 15 minutos.



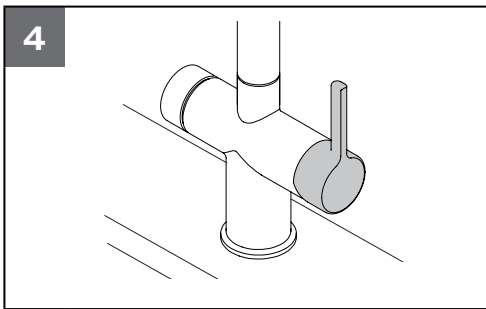
Advertencia: Si durante el calentamiento no ha salido agua de expansión a través del grupo de seguridad (válvula de presión negra), después de 10 minutos apague inmediatamente la fuente de alimentación y abra la grifería de agua hirviendo para aliviar la presión del agua.

- ▶ El agua de la caldera se calienta cuando el botón ON/STANDBY muestra una luz roja constante.
- 6. Para limpiar el depósito, active la grifería de agua hirviendo hasta que salga agua fría.

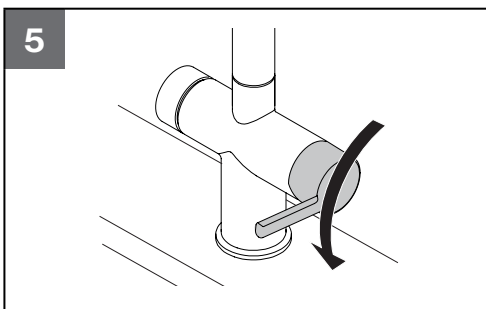
Funcionamiento de la grifería

Funcionamiento de la palanca mezcladora

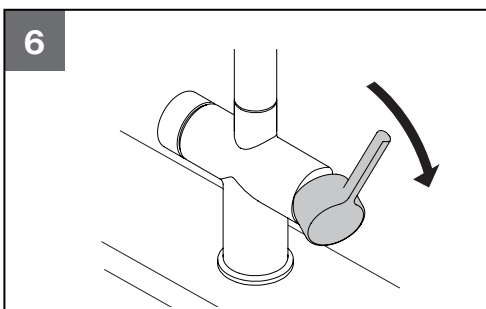
- ▶ Seleccione el agua caliente (fig. 4).



- ▶ Seleccione el agua fría (fig. 5).

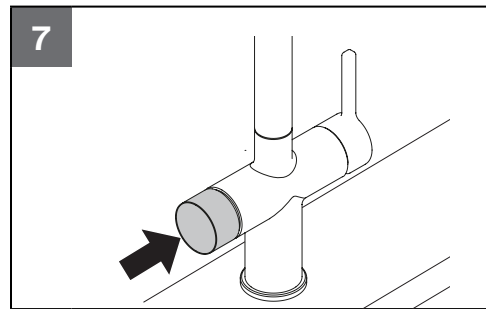


- ▶ Abra la grifería de mezclado (fig. 6).

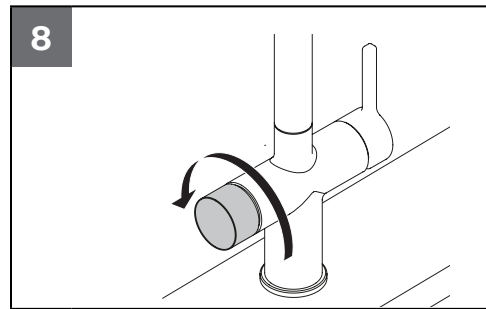


Funcionamiento del mando electrónico

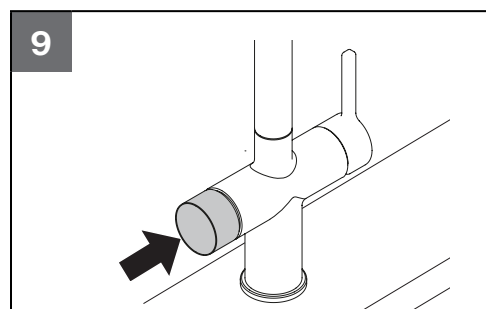
- ▶ Activar grifería: pulse brevemente 1 vez (fig. 7).



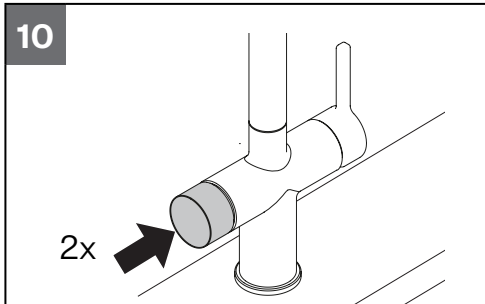
- ▶ Pulse y gire hacia atrás (para activar la selección de agua hirviendo, fig. 8).



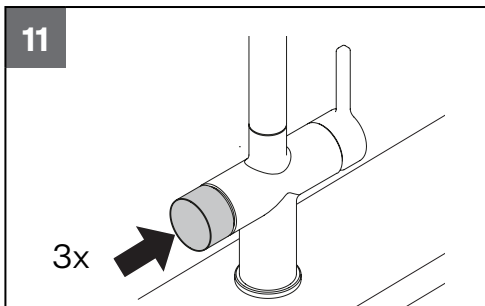
- ▶ Para agua hirviendo continua: mantenga pulsado el mando selector (fig. 9). Desactivar: suelte el mando.



- ▶ Modo de llenado breve: pulse momentáneamente 2 veces (fig. 10). Se detiene automáticamente. Desactivar: pulse brevemente 1 vez.



- ▶ Modo de llenado largo: pulse momentáneamente 3 veces (fig. 11). Se detiene automáticamente. Desactivar: pulse brevemente 1 vez.



- ▶ Mantenga el objeto que quiera llenar cerca de la grifería de forma que el objeto rodee la abertura de suministro de la grifería. Esto evitará que el agua (caliente) salpique.
- ▶ Para un resultado óptimo a la hora de elaborar café o té, deje salir aproximadamente 1 taza de agua antes de usar la grifería. De esta manera, desaparecerán las burbujas de aire del agua de forma que no se forme espuma en la superficie del té.

Modo de llenado

- ▶ Pulse brevemente 2 veces para llenar la olla. Rellenado de olla: agua de hervido (rojo) = durante 30 seg.
- ▶ Pulse brevemente 3 veces para llenar la olla. Rellenado de olla: agua de hervido (rojo) = durante 60 seg.

Funcionamiento y reemplazo del filtro

1. Mantenga presionado el mando electrónico (en posición neutra) durante 10 segundos.
2. Gire el mando electrónico hacia atrás para seleccionar el color correcto de la tabla en la página siguiente, según la dureza del agua en su área. Mantenga presionado el mando electrónico durante 2 segundos. El LED parpadea 3 veces para confirmar y vuelve a la posición neutra.

El LED en posición neutra le recuerda con 1 mes de antelación que es necesario sustituir el filtro. El LED en el modo neutro cambia de blanco a naranja.

Si el filtro alcanzó la fecha de caducidad, el LED naranja comienza a parpadear hasta que se haya reemplazado el filtro.

Retire lentamente el filtro usado del cabezal del filtro.

Durante este proceso, la línea de suministro de agua se desconecta hidráulicamente del

cabezal del filtro y el sistema se despresuriza; puede ocurrir que se produzcan picos de presión y que se escape una pequeña cantidad de agua de alivio de presión del cabezal del filtro.

Tenga en cuenta esto y coloque un recipiente debajo.

Después del reemplazo del filtro, repita los pasos 1 y 2.

Si registró su sistema, recibirá un recordatorio por correo electrónico.

! Es obligatorio utilizar un filtro de Franke para proteger el producto contra los depósitos de cal. Es obligatorio cambiar el filtro según la tabla de dureza del agua.

Dureza del agua	Color del LED
<10°dh	azul claro
10-15°dh	amarillo
15-20°dh	verde claro
>20°dh	púrpura

Enjuague del filtro

Después de 1 semana de estancamiento	2 litros
Después de 2 semanas de estancamiento	10 litros
Después de 8 semanas de estancamiento	El filtro debe ser reemplazado.

Dureza del agua	Vida útil del filtro
<10°dH*	12 meses
10-15°dH	10 meses
15-20°dH	8 meses
>20°dH	6 meses

* configuración predeterminada

Selección de intensidad de LED neutra

Después de 60 segundos de no usar la grifería, cambiará automáticamente al estado de modo de suspensión, a 50% de intensidad del LED. Para cambiar la configuración del modo de suspensión, debe seguir las instrucciones a continuación.

1. Active el grifo presionando una vez el mando electrónico.
2. Pulse el mando electrónico 5 veces.
3. El LED comienza a parpadear.
4. Gire el mando a la configuración preferida, girándola hacia adelante o hacia atrás:
 1. 50% de intensidad, por defecto,
 2. 10% de intensidad,
 3. Apagado por completo.
5. Después de la selección, pulse el mando electrónico durante 2 segundos para confirmar. La grifería parpadea 3 veces para confirmar.

Resolución de problemas

Mensajes de la caldera

Color del LED	Comportamiento del LED	Descripción
Azul	Destellando	La caldera no tiene agua.
Azul	Constante	Puesta en marcha/autocomprobación del sistema.
Naranja	Destellando	Fallo de sistema; póngase en contacto con el servicio técnico de Franke.
Rojo	Destellando	La caldera se está calentando.
Rojo	Constante	La caldera está completamente calentada.

Mensajes de la grifería

Color del LED	Comportamiento del LED	Función	Descripción
Rojo	Constante	Agua hirviendo	Es posible seleccionar agua hirviendo.
Rojo	Giratorio	Selección de agua hirviendo en curso.	Selección de agua hirviendo en curso.
Naranja	Constante	Filtro	El cartucho de filtro está casi acabado y debe sustituirse dentro de un mes.
Naranja	Intermitente	Filtro	El filtro se ha agotado y necesita ser reemplazado directamente.

El mando electrónico no responde

Causa	Remedio
Problema de software.	Desconecte el suministro eléctrico durante, al menos, 10 segundos.
El conector de cable de la grifería no está conectado.	Conecte firmemente el conector del cable.
El enchufe de pared no tiene suministro eléctrico.	Compruebe el suministro eléctrico. El grupo eléctrico ha fallado debido a un exceso de carga. La caldera no puede conectarse al mismo grupo eléctrico que un lavavajillas.
El cable o el conector de la grifería está dañado o defectuoso.	Póngase en contacto con Franke.

Hay fugas de agua

Causa	Remedio
Fuga en la conexión	Revise el(los) enganche(s) y vuelva a apretarlo(s) en caso necesario.
Fuga en la(s) manguera(s)	Revise la(s) manguera(s) y sustituya la(s) que presente(n) fugas.
Fugas en la caldera	Retire el conector de la caldera del enchufe de la pared. Suspenda el suministro de agua. Póngase en contacto con Franke.
Fuga en la grifería	Suspenda el suministro de agua. Póngase en contacto con Franke.

La grifería no suministra agua

Causa	Remedio
Manguera(s) retorcida(s).	Revise la(s) manguera(s) y enderece aquella(s) que esté(n) retorcida(s).
La válvula de agua principal está cerrada.	Abra la válvula de agua principal.
La válvula de parada en el armario de la cocina está cerrada.	Abra la válvula de parada.

La grifería no suministra agua hirviendo

Causa	Remedio
Manguera(s) retorcida(s).	Revise la(s) manguera(s) y enderece aquella(s) que esté(n) retorcida(s).
La válvula PRV está cerrada.	Ábrala girando el mando.
Filtro no instalado o no instalado correctamente.	Asegúrese de que el filtro esté bien encajado. Gírelo y vuélvalo a girar.
Mando electrónico no conectado al enchufe.	Asegúrese de que las conexiones eléctricas estén conectadas.

La grifería no suministra agua caliente

Causa	Remedio
Manguera(s) retorcida(s).	Revise la(s) manguera(s) y enderece aquella(s) que esté(n) retorcida(s).
La caldera no funciona.	Vea la tabla «El agua de la grifería no está hervida».
El equipo de agua caliente no funciona.	Consulte el manual de su equipo de agua caliente, soporte de agua caliente o bypass.

El agua de la grifería no está hervida

Causa	Remedio
El conector de la caldera no se ha insertado en un enchufe de la pared.	Inserte el conector en un enchufe de pared con toma a tierra.
El enchufe de pared no tiene suministro eléctrico.	Compruebe el suministro eléctrico. El circuito de electricidad ha fallado debido a un exceso de carga. La caldera no puede conectarse al mismo circuito de electricidad que un lavavajillas.

Causa	Remedio
La caldera está apagada (modo standby).	Encienda la caldera.
La caldera no se ha calentado totalmente.	Espere hasta que la caldera se haya calentado.
La caldera está defectuosa.	Póngase en contacto con Franke.

La caldera provoca un cortocircuito

Causa	Remedio
Se ha producido un cortocircuito en el cableado eléctrico o en el elemento calefactor de la caldera.	Retire el conector de la caldera del enchufe de la pared. Póngase en contacto con Franke.
Sin agua en la caldera. El LED parpadea en azul.	Llene la caldera de agua.

Si no puede solucionar su mal funcionamiento o defecto, comuníquese con el servicio de atención al cliente, el instalador o el minorista de Franke.

Mantenimiento

Mantenimiento general

- ▶ Limpie la grifería únicamente con limpiador para grifería Franke. Visite nuestra tienda web Franke.
- ▶ No utilice agentes de limpieza que contengan disolventes o ácidos, como elementos antical, vinagre doméstico o limpiadores con ácido acético. Dichas sustancias dañan la superficie. La grifería se volverá mate y sufrirá arañazos.
- ▶ Secar la grifería tras su uso puede evitar la formación de depósitos de cal.
- ▶ Si, aún así, se producen depósitos de cal, quítelos con un limpiador con ácido cítrico.
- ▶ Utilice siempre piezas Franke originales para las tareas de mantenimiento o reparación. Esto garantiza la seguridad y el funcionamiento adecuado del producto y preserva cualquier derecho a garantía.

- ▶ Solo el servicio de asistencia técnica de Franke puede realizar la sustitución o reparación de piezas.

Sustitución del filtro

- ▶ Gire el filtro en el sentido de las agujas del reloj para retirarlo del cabezal del filtro.
- ▶ Gire el filtro nuevo en el sentido contrario a las agujas del reloj para instalarlo. Restablecer la configuración del filtro - consulte la página 16 del «Manual de instalación» (instalación del filtro).
- ▶ El cabezal del filtro tiene una válvula de agua de cierre automático integrada. No es necesario aislar el suministro de agua para cambiar el filtro.

Descalcificación del aireador de la grifería

- ▶ **Siempre utilice un agente descalcificante con ácido cítrico.** Otras sustancias dañarán el material
- ▶ El proceso de aflojamiento o apriete puede realizarse de forma más sencilla aplicando una cinta elástica alrededor de la funda del aireador de la grifería. Asegúrese de que la funda del aireador de la grifería no resulte dañada por el uso de herramientas.

- ▶ A lo largo del tiempo, aparecerán depósitos de cal sobre y a lo largo del aireador de la grifería.
- ▶ Desatornille la funda del aireador de la grifería.
- ▶ Limpie el aireador de la grifería utilizando un agente descalcificante adecuado.
- ▶ Coloque el aireador de la grifería en la funda.
- ▶ Coloque la junta en el aireador de la grifería y atorníllela en la funda con los dedos.

Consulte los detalles en el «Manual de instalación» página 15.

Eliminación



El símbolo indicado en el producto o en el embalaje indica que el dispositivo no debe desecharse junto con los residuos domésticos.

Al desechar de forma correcta el dispositivo, usted contribuye a evitar efectos nocivos para el medio ambiente y para la salud.

Para más información acerca del reciclaje del dispositivo, consulte a las autoridades competentes, a la empresa encargada de la eliminación de desechos a nivel local, o bien al vendedor del dispositivo.

Si va a desechar definitivamente el dispositivo, hágalo en un punto de recogida de residuos especializado en dispositivos eléctricos y electrónicos.

De conformidad con el artículo del Decreto Ley N° 15 con fecha del 25 de julio, Implementación de la Directiva 2002/96/CE, relativa a la reducción de las sustancias peligrosas usadas en aparatos eléctricos y electrónicos, y la eliminación de residuos.

El símbolo de cubo de la basura tachado que hay en el aparato significa que, al final de su vida útil, el producto no debe eliminarse junto con los desechos domésticos normales. Por lo tanto, cuando el aparato haya alcanzado el final de su vida útil, el usuario debe llevarlo a un centro de reciclaje especializado en residuos electrónicos y electrotécnicos, o bien devolverlo al proveedor al comprar un aparato nuevo de tipo equivalente. La recogida adecuada de los desechos del aparato debidamente clasificados para su posterior reciclaje, tratamiento y eliminación respetuosa del medio ambiente contribuye a evitar un posible impacto negativo en el medio ambiente y potenciales efectos nocivos para la salud, y además facilita el reciclaje de los materiales usados en la fabricación de aparatos.

Indholdsfortegnelse

Om denne vejledning	88
Oplysninger om sikkerhed	88
Produktoplysninger	90
System	90
Vandhane Active kogende 3-i-1 elektronisk	90
Hydraulikboks	90
Filter	90
Kedel	91
Installation	92
Generelle startpunkter i forbindelse med installation	92
Installationstrin	92
Betjening	92
Betjening af kedel	92
Nedlukning af kedel	93
Afbrydelse af kedeldrift	93
Aktivering ved første anvendelse	93
Betjening af vandhanen	94
Betjening af blandingsgreb	94
Betjening af elektronisk knap	94
Påfyldningsfunktion	95
Drift og udskiftning af filter	95
Valg af neutral intensitet af LED	96
Fejlsøgning	96
Vedligeholdelse	98
Generel vedligeholdelse	98
Udskiftning af filter	99
Afkalkning af luftblander til vandhane	99
Bortskaffelse	99



Om denne vejledning

Denne vejledning indeholder vigtige oplysninger om sikker og korrekt installation og ibrugtagning af produktet.

FRANKE forbeholder sig retten til at foretage ændringer af produktet uden forudgående varsel. Alle oplysninger er korrekte på udstedelsestidspunktet.


- ▶ Læs brugervejledningen omhyggeligt inden anvendelse af enheden.
- ▶ Gem brugervejledningen.


- ▶ Anvend udelukkende enheden til den tilsigtede anvendelse i overensstemmelse med beskrivelsen i denne brugervejledning.

Symbol	Betydning
	Advarselssymbol. Advarsel om risiko for kvæstelser.
	Handlingstrin. Angiver en handling, der skal udføres.


Oplysninger om sikkerhed


Generelt

 Installér produktet, som beskrevet i denne vejledning og i overensstemmelse med de gældende bestemmelser for installation, sikkerhed og lokal vandforsyning!

 Produktet må ikke bruges til noget andet formål end det, hvortil det er tiltænkt, som beskrevet i denne vejledning.


 Produktet må ikke modificeres.


 Sæt kun stikket i en stikkontakt med jordforbindelse.

 Denne vandhane kan eventuelt betjenes af børn under 12 år og af personer med reducerede fysiske, følelsesmæssige og mentale færdigheder, eller som ikke har den nødvendige erfaring eller viden, under opsyn eller efter at være instrueret i sikker brug af produktet, og når de er opmærksomme på de risici, der kan opstå som følge af brugen af produktet og/eller systemet.


 Brugerrengøring og -vedligeholdelse må ikke udføres af børn eller personer med nedsat


fysiske, sensoriske eller mentale færdigheder, eller som mangler den nødvendige erfaring eller viden, uden de er under opsyn.


 Børn skal forhindres i at lege med produktet og/eller systemet.


 Dette produkt og/eller system er beregnet til brug i husholdningen og lignende miljøer, såsom:


- Personalekøkkener i butikker, på kontorer samt andre arbejdsmiljøer;
- Af gæster på hoteller, moteller og andre lignende beboelsesmiljøer;
- Bed & Breakfast-indkvartering og andre lignende beboelsesmiljøer.


 Brug i andre miljøer efter aftale med producenten af produktet og/eller systemet.


 Hvis strømkablet med stik er beskadiget, skal det udskiftes af producenten, producentens kundeservice eller en kvalificeret fagmand for at undgå elektrisk stød.


 Hvis smøring af O-ringe er nødvendig, må der kun anvendes silikonefedt.

 For at undgå frysning må produktet kun installeres i frostfrie rum.


 Sikkerhedshenvisningerne skal overholdes for at forebygge fysisk skade og/eller beskadigelse af produktet og/eller systemet.


 Vedligeholdelsehenvisningerne skal overholdes for at undgå beskadigelse og overdreven slid.


 Illustrationerne i dette dokument kan variere fra det leverede apparat som følge af løbende forbedring af vores produkter og/eller systemer.

 Hvis den seneste version af vejledningen er tilgængelig, kan du downloade den fra vores hjemmeside:


www.franke.com


 Franke kan ikke holdes ansvarlig for omkostninger, beskadigelse eller personskade, hvis produktet ikke betjenes i overensstemmelse med anvisningerne i denne vejledning.

 Hane- og kedelmodel kan afvige fra den model, der er illustreret i vejledningen.

 **Forsigtig:** Brug aldrig savtakkede værktøjer for at undgå beskadigelse. Hvor det er nødvendigt, skal du altid bruge de passende værktøjer til tilspænding af koblingen.


Vandhane


 Undgå forbrændinger og skoldning, og vær forsigtig ved brugen af varmt vand. Temperaturen af det varme vand kan være højere end 55 °C.


 Undgå forbrændinger og skoldning, og vær forsigtig ved brug af kogende vand. Temperaturen af vandet kan være højere end 100 °C.


Kedel

 Kedlen skal være fyldt med vand inden idrifttagning.


 Løft eller bær aldrig kedlen i slangerne eller netledningen.


 Apparatet skal altid være tilsluttet til koldtvandsforsyningen.


 Før kedlen installeres, vær sikker på, at overtryksventilens udløb er 8 cm over afløbsrørets tilslutning.


 Afløbsslangen skal tilsluttes med en kontinuerlig nedadgående hældning, og der skal laves en sifon, vær derfor opmærksom på, at der muligvis skal skæres af afløbsslangen.


Filterpatron

 Det er obligatorisk at bruge et Franke-filter til at beskytte produktet mod kalkaflejringer. Det er obligatorisk at skifte filteret baseret på tabellen om vandets hårdhedsgrad.

 Efter opbevaring ved en temperatur på 0 °C skal filteret først opbevares ved stuetemperatur i 24 timer, inden det installeres.

 Filterpatronen må ikke være åbnet eller beskadiget.

 Filterpatronen og systemet skal skylles grundigt efter længere tids stilstand og/eller under vedligeholdelsesarbejde (2 liter skyllevand efter 1 uges stilstand; 10 liters skyllevand efter 4 ugers stilstand).

 Filterpatronen skal udskiftes, hvis den ikke har været i drift i 3 måneder efter ibrugtagning.

 Udskifter man ikke filteret, bortfalder garantien.

Garantibetingelser

Scan QR-koden for at komme til retningslinjerne for garantien:



Produktoplysninger

System

Vandforsyningstryk (min.)	100 kPa/ 14,5 psi/ 1 bar
Vandforsyningstryk (maks.)	500 kPa/ 72,5 psi/ 5 bar
Gennemstrømningshastighed for kogende vand	2-4 l/min * 2,5 bar
Gennemstrømningshastighed for koldt vand	5-9 l/min *
Gennemstrømningshastighed for varmt vand	5-9 l/min *

* Gennemstrømningshastigheden varierer afhængigt af vandforsyningstrykket og typen af hane.

Krav til vandkvalitet

pH-værdi	7-9,5
----------	-------

Vandhane Active kogende 3-i-1 elektronisk

Se oplysningerne i "Installationsvejledning" side 5.

Hydraulikboks

Se oplysningerne i "Installationsvejledning" side 5.

Filter

Se oplysningerne i "Installationsvejledning" side 5.

Filtertype	Franke Pro M
Diameter	95 mm
Højde inkl. filterhoved	295 mm
Filterhoved	Bajonet /separat del

Bortskaffelse af affald fra filtre

Dekarbonisering	Ja
Lugte	Ja
Klor	Ja
Partikel	Ja
Mikroplastik	Ja

Kedel

Se oplysningerne i "Installationsvejledning" side 6.

 **Advarsel:** Kun lodret installation af kedlen er mulig (tænd/sluk-knap i bunden).

Kedel	4 liter	7 liter
Dimensioner [H x B]	340 x 229 mm	494 x 229 mm
Nettovægt	4,5 kg	5,5 kg
Indhold	4 l	7 l
Spænding	220-240 V AC	220-240 V AC
Effekt	1650 W (+5%/-10%)	1650 W (+5%/-10%)
Belastning	9,2 A	9,2 A
Standbytilstand maks.	14 W	14 W
IP-klassificering	IPX4	IPX4
Opbevaringstemperatur	<105 °C	<105 °C
Opvarmningstid [ΔT 100 K]	15 min.	24 min.
Driftstryk (maks.)	800 kPa / 116 psi / 8 bar	800 kPa / 116 psi / 8 bar
Driftstemperatur	0-40 °C	0-40 °C
Strømforsyning EU	Type E+F CEE 7/7 Schuko	Type E+F CEE 7/7 Schuko
Strømforsyning Storbritannien	Type G/ BS 1363 Britisk 3 ben	Type G/ BS 1363 Britisk 3 ben
Oplyst belastningsprofil og typisk brug	XXS	XXS
Energieffektivitetsklasse for vandopvarmning	A	A
Energieffektivitet ved vandopvarmning	38,9%	39,6%
Årligt elforbrug	435 kWh	466 kWh
Termostatens temperaturindstilling	103 °C	103 °C

Installation

Generelle startpunkter i forbindelse med installation

Udfør følgende trin, inden installationen påbegyndes.

1. Der skal allerede være installeret stopventiler.
2. Hvis vandtrykket er over 5 bar, skal der bruges en trykreduktionsventil (3 bar).
3. Luk stopventilerne.
4. I eksisterende installationer skal hane, slanger og kedel afmonteres, hvis de stadig er på plads.
5. Markér den eksisterende koldt- og varmtvandstilslutning.
6. Der skal være to stikkontakter tilgængelige til tilslutning.



Montér trykreduktionsventilen så højt som muligt i køkkenskabet.

Installationstrin

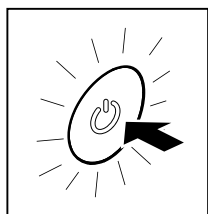
Se oplysningerne i "Installationsvejledning" side 3-16.

1. Installation af 3-i-1 hane (se side 7)
2. Installation af filter (se side 8)
3. Installation af trykreduktionsventil (se side 8)
4. Tilslutning af afløbsslange (se side 9)
5. Installation af kedel (se side 9)
6. Installation af hydraulikboks (se side 10)
7. Tilslutning af hydraulikboks (se side 10)
8. Aktivering af hydraulikboks (se side 11)
9. Skylning af kedel (se side 11)
10. Aktivering af kedel (se side 11)
11. Installation med WWS (se siderne 12 og 13)
12. Installation med bypass (se siderne 14 og 15)
13. Idrifttagning (se side 11)

Betjening

Betjening af kedel

- ▶ Ved at trykke kort på knappen ON/STANDBY er det muligt at skifte mellem kedelfunktionerne ON og STANDBY.



ON: LED-lyset lyser konstant rødt.

OFF: LED-lyset er slukket.

Når kedlen har været slukket i en uge, anbefaler vi, at følgende procedure overholdes før brug:

- ▶ Tænd for kedlen. Vent, indtil kedelvandet er oppe på denne temperatur.
- ▶ Åbn hanen til kogende vand, og skyl ledningen til kogende vand, indtil der kommer koldt vand ud af hanen.



Forsigtig: Sørg for at vandet ikke forstøver under skylningen.

- ▶ Opvarm kedelvandet igen.

Nedlukning af kedel

1. Tag stikket fra kedlen ud af stikket i væggen.
2. Start vandgennemstrømningen på den elektroniske knap.
3. Vent til der løber koldt vand ud.
4. Stop vandgennemstrømningen på den elektroniske knap.
5. Luk stopventilen.
6. Start vandgennemstrømningen på den elektroniske knap.
7. Vent til der ikke længere løber vand ud.
8. Stop vandgennemstrømningen på den elektroniske knap.

9. Frakobl slangerne fra kedlen.
10. Fjern kedlen.
11. Lad vandet fra slangerne og kedlen løbe ned i vasken.

Afbrydelse af kedeldrift

Hvis du ikke forventer at skulle bruge kogende vand i en længere periode, for eksempel pga. ferie, kan du slukke for kedlen (midlertidigt):

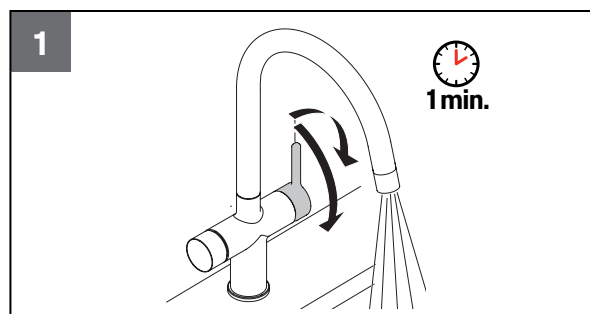
- ▶ Anvend kedlens STANDBY-funktion, eller tag stikket ud af stikkontakten for at forhindre opvarmning af kedlen.

Aktivering ved første anvendelse

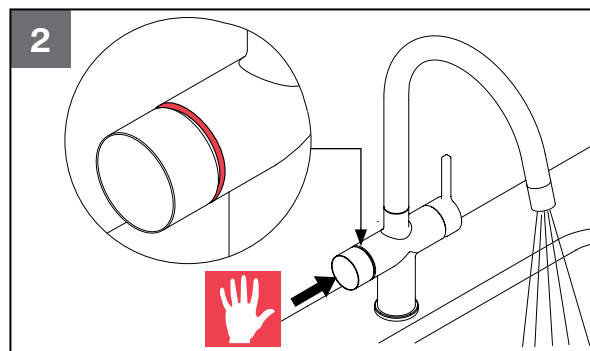
 Sørg for, at kedlen er fyldt med vand.

Kedel

1. Betjen blandingsbatteriet, og skyl med varmt vand i 1 minut (fig. 1).

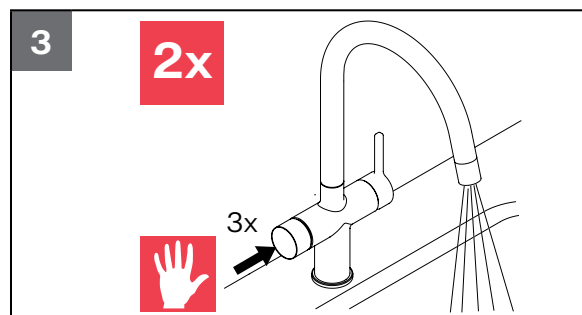


2. Aktivér den elektroniske drejeknap, og vælg kogende vand (rød LED) (fig. 2).




3. Tryk på den elektroniske knap 3 gange. Gentag dette trin tre gange for at sikre, at kedlen er gennemskyllet og fuld af vand.

Systemet vil blive gennemskyllet. Det er normalt, at der kommer luft ud i begyndelsen af skylletilstand. Når der kommer et jævnt, laminært flow ud af hanen, er systemet ordentligt gennemskyllet.



4. Tænd for kedlen.
5. Eftersø installationen for lækager efter idriftsættelse.

Vand når kogepunktet efter ca. 15 minutter.

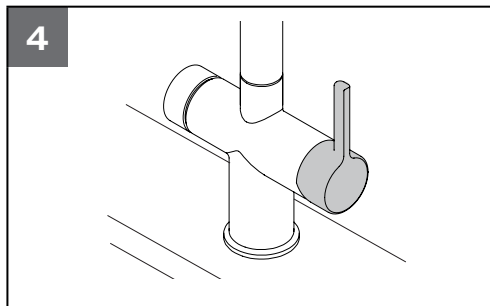
 **Advarsel:** Hvis der under opvarmning ikke er sluppet ekspansionsvand ud via sikkerhedsgruppen (sort trykventil), sluk straks for strømforsyningen efter 10 minutter og tænd for hanen til kogende vand for at aflaste vandtrykket.

- ▶ Kedlen er opvarmet, når knappen ON/STANDBY lyser konstant rødt.
6. For at rengøre tanken, åbn vandhanen til det kogende vand, indtil der løber koldt vand ud.

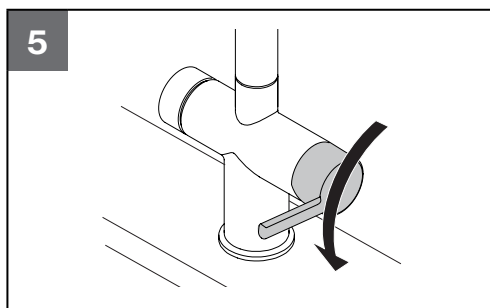
Betjening af vandhanen

Betjening af blandingsgreb

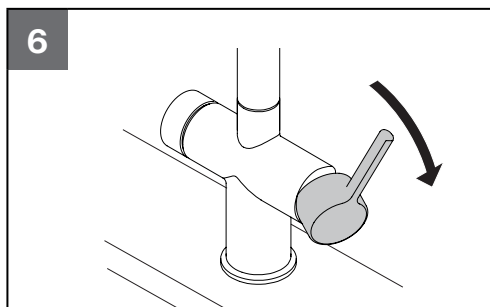
- ▶ Vælg varmt vand (fig. 4).



- ▶ Vælg koldt vand (fig. 5).

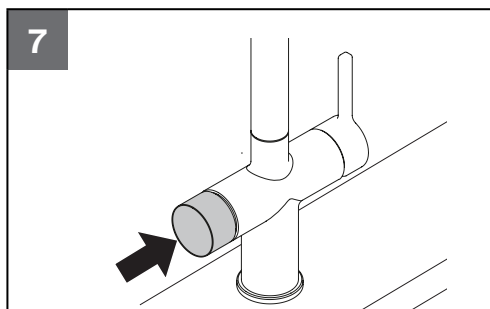


- ▶ Tænd for blandingsbatteriet (fig. 6).

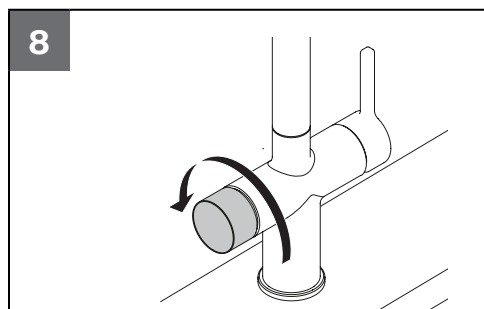


Betjening af elektronisk knap

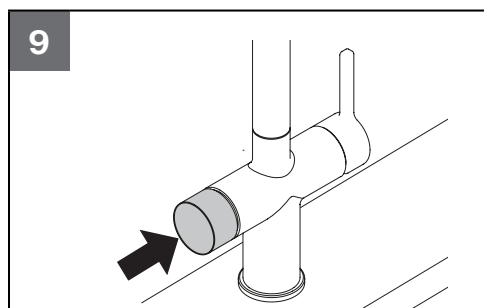
- ▶ Åbn hanen: Tryk kort 1x (fig. 7).



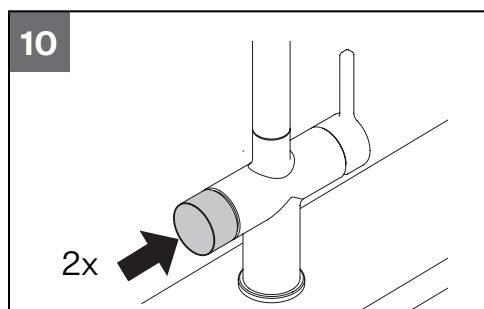
- ▶ Tryk og drej baglæns (for at aktivere valget af kogende vand, fig. 8).



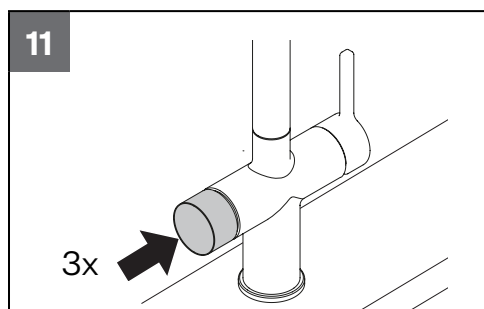
- ▶ For kontinuerligt kogende vand: Hold vælgerknappen nede (fig. 9).
Deaktivering: Slip knappen.



- ▶ Påfyldningsfunktionen kort: Tryk kort 2x (fig. 10). Stopper automatisk.
Deaktivering; tryk kort 1x.



- ▶ Påfyldningsfunktion lang: Tryk kort 3x (fig. 11).
Stopper automatisk.
Deaktivering; tryk kort 1x.



- ▶ Hold den genstand, der skal fyldes, tæt på hanen, så genstanden befinder sig rundt om hanens forsyningsåbning. Det forhindrer (varmt) vand i at sprøjte ud.
- ▶ Der opnås optimalt resultat under brygning af kaffe eller te ved at lade ca. 1 kop vand løbe ud, før hanen bruges. På den måde forsvinder luftbobler i vandet, så der ikke dannes skum på teens overflade.

Påfyldningsfunktion

- ▶ Tryk kort 2x for at fylde beholderen op.
Påfyldning af beholderen:
Kogende vand (rød) = 30 sek. flow
- ▶ Tryk kort 3x for at fylde beholderen op.
Opfyldning af beholderen:
Kogende vand (rød) = 60 sek. flow

Drift og udskiftning af filter

1. Tryk og hold den elektroniske knap (i neutral position) i 10 sekunder.
2. Drej den elektroniske knap bagud for at vælge den korrekte farve fra tabellen på næste side, baseret på vandets hårdhed i dit område. Tryk og hold den elektroniske knap nede i 2 sekunder. LED-lyset blinker 3 gange som bekræftelse og vender tilbage til neutral position.

LED-lyset i neutral position minder 1 måned i forvejen om, at filteret skal udskiftes. LED-lyset i den neutrale tilstand skifter fra hvid til orange. Hvis filteret har nået udløbsdatoen, begynder det orange LED-lys at pulsere, indtil filteret er blevet udskiftet.

Drej langsomt det brugte filter ud af filterhovedet. Under denne proces kobles vandforsyningsledningen hydraulisk fra filterhovedet, og systemet bliver trykløst; det kan ske, at trykket topper, en lille mængde trykaflastningsvand kan undslippe fra filterhovedet.

Bemærk dette og placér en passende beholder nedenunder.

Efter udskiftningen af filteret gentages trin 1 og 2. Hvis systemet er registreret, vil man modtage en påmindelse via e-mail.



Det er obligatorisk at bruge et Franke-filter til at beskytte produktet mod kalkaflejring. Det er obligatorisk at skifte filteret baseret på tabellen om vandets hårdhedsgrad.

Vandets hårdhed	LED-farve
<10°dh	Lyseblå
10-15°dh	Gul
<15-20°dh	Lysegrøn
>20°dh	Lilla

Skylning af filter

Efter 1 ugers stilstand	2 liter
Efter 2 ugers stilstand	10 liter
Efter 8 ugers stilstand	Filteret skal udskiftes.

Vandets hårdhed	Filterets levetid
<10°dH*	12 måneder
10-15°dH	10 måneder
15-20°dH	8 måneder
>20°dH	6 måneder

* standardindstilling

Valg af neutral intensitet af LED

Når hanen ikke har været i brug i 60 sekunder, skifter den automatisk til dvaletilstandsstatus med 50% LED-LYSINTENSITET.

For at ændre indstillingerne for dvaletilstand skal instruktionerne nedenfor følges.

1. Aktivér hanen ved at trykke én gang på den elektroniske knap.
2. Tryk på den elektroniske knap 5 gange.
3. LED-lyset begynder at blinke.
4. Drej knappen til den ønskede indstilling ved at dreje den frem eller tilbage:
 1. 50% intensitet, standard,
 2. 10% intensitet,
 3. Slukket helt.
5. Efter valget skal der trykkes på den elektroniske knap i 2 sekunder for at bekræfte. Vandhanen blinker 3 gange som bekræftelse.

Fejlsøgning

Kedelmeddelelser

LED-farve	LED-aktivitet	Beskrivelse
Blå	Blinker	Der er ikke vand i kedlen.
Blå	Stabil	Egenkontrol af idriftsættelse/system.
Orange	Blinker	Systemfejl; kontakt Frankes service.
Rød	Blinker	Kedlen er ved at varme op.
Rød	Stabil	Kedlen er fuldt opvarmet.

Hanemeddelelser

LED-farve	LED-aktivitet	Funktion	Beskrivelse
Rød	Stabil	Kogende vand	Valg af kogende vand er muligt.
Rød	Roterer	Valg af kogende vand er i gang.	Valg af kogende vand er i gang.
Orange	Stabil	Filter	Filterpatronen er næsten opbrugt og skal udskiftes inden for en måned.
Orange	Pulserer	Filter	Filteret er opbrugt og skal udskiftes med det samme.

Elektronisk drejeknap reagerer ikke

Årsag	Afhjælpning
Softwareproblem	Kobl strømforsyningen fra i mindst 10 sekunder.
Hanens kabeltilslutning er ikke tilsluttet korrekt.	Sæt kabelstikket forsvarligt i.
Stikdåsen i væggen har ingen strømforsyning.	Kontrollér elforsyningen. Der er opstået fejl i elgruppen på grund af for høj belastning. Kedlen kan ikke sluttes til samme elgruppe som en opvaskemaskine.
Hanens kabel eller tilslutning er beskadiget eller defekt.	Kontakt Franke.

Vandlækager

Årsag	Afhjælpning
Tilslutning lækker	Kontrollér kobling(er), og efterspænd om nødvendigt.
Slange(r) lækker	Kontrollér slange(r), og udskift lækkende slange(r).
Kedel lækker	Tag stikket fra kedlen ud af stikket i væggen. Luk vandforsyningen. Kontakt Franke.
Hane lækker	Luk vandforsyningen. Kontakt Franke.

Intet vand fra hane

Årsag	Afhjælpning
Slange(r) knækket/knækkede.	Kontrollér slange(r), og ret knække(t/de) slange(r) ud.
Hovedvandventilen er lukket.	Åbn hovedvandventilen.
Stopventilen i køkkenskabet er lukket.	Åbn stopventilen.

Intet kogende vand fra hane

Årsag	Afhjælpning
Slange(r) knækket/knækkede.	Kontrollér slange(r), og ret knække(t/de) slange(r) ud.
PRV er lukket.	Åbn ved at dreje på knappen.
Filter ikke installeret eller ikke korrekt installeret.	Sørg for, at filteret er låst fast. Vend det ud og ind igen.
Den elektroniske knap er ikke forbundet med stikkontakten.	Sørg for, at de elektriske forbindelser er tilsluttet.

Intet varmt vand fra vandhanen

Årsag	Afhjælpning
Slange(r) knækket/knækkede.	Kontrollér slange(r), og ret knække(t/de) slange(r) ud.
Kedlen fungerer ikke.	Se tabellen "Vandet fra hanen er ikke kogende".
Varmtvandsapparat fungerer ikke.	Se brugsanvisningen til dit varmtvandsapparat, varmtvandssupport eller bypass.

Vandet fra hanen er ikke kogende

Årsag	Afhjælpning
Kedlens stik er ikke sat i en stikdåse i væggen.	Sæt stikket i en jordet stikdåse i væggen.
Stikdåsen i væggen har ingen strømforsyning.	Kontrollér elforsyningen. Der er opstået fejl i strømkredsløbet på grund af for høj belastning. Kedlen kan ikke sluttes til samme strømkredsløb som en opvaskemaskine.
Kedlen er slukket (standbytilstand).	Tænd kedlen.
Kedlen er ikke varmet helt op.	Vent, indtil kedlen er opvarmet.
Kedlen er defekt.	Kontakt Franke.

Kedlen forårsager en kortslutning

Årsag	Afhjælpning
Der er sket en kortslutning i strømledningerne eller kedlens varmelegeme.	Tag stikket fra kedlen ud af stikket i væggen. Kontakt Franke.
Intet vand i kedlen. Lysdioden blinker blå.	Fyld kedlen med vand.

Hvis du ikke kan håndtere din funktionsfejl eller defekt, kontakt venligst Frankes servicedesk, installatør eller forhandler.

Vedligeholdelse

Generel vedligeholdelse

- ▶ Rengør kun vandhanen med Franke vandhanerens. Besøg vores Franke webshop.
- ▶ Brug ikke rengøringsmidler, der indeholder et opløsningsmiddel eller syre, f.eks. kalkfjerner, husholdningseddike eller rengøringsmidler med eddikesyre. Disse stoffer beskadiger overfladen. Hanen bliver mat og ridset.
- ▶ Kalkaflejring kan forhindres ved at tørre hanen efter brug.
- ▶ Hvis kalkaflejring alligevel opstår, skal du fjerne disse med et citronsyrebaseret rengøringsmiddel.

- ▶ Brug altid originale Franke-reservedele til vedligeholdelse eller reparation. Dette garanterer sikkerhed og korrekt funktion af produktet og sikrer alle garantikrav.
- ▶ Udskiftning eller reparation af dele må kun udføres af Franke Service.

Udskiftning af filter

- ▶ Drej filteret med uret for at fjerne det fra filterhovedet.
- ▶ Drej det nye filter mod uret for at installere det. Nulstil filterindstillingen - se side 16 i "Installationsvejledning" (filterinstallation).
- ▶ Filterhovedet har en integreret vandventil med automatisk lukning. Det er ikke nødvendigt at isolere vandforsyningen for at skifte filter.

Afkalkning af luftblander til vandhane

- ▶ **Brug altid en citronsyrebaseret kalkfjerner.** Andre stoffer vil beskadige materialet!
- ▶ Løsningen og tilspænding kan gøres lettere ved at vikle en elastik omkring muffen på vandhanens luftblander. Sørg for, at muffen på vandhanens luftblander ikke bliver beskadiget ved brug af værktøj.
- ▶ Med tiden forekommer der kalkaflejringer på og langs vandhanens luftblander.
- ▶ Skru muffen af vandhanens luftblander.
- ▶ Rengør vandhanens luftblander ved brug af en egnet kalkfjerner.
- ▶ Placér vandhanens luftblander i muffen.
- ▶ Sæt pakningen på vandhanens luftblander, og skru muffen fast med fingrene.

Se oplysningerne i "Installationsvejledning" side 15.

Bortskaffelse



Symbolet på produktet eller på emballagen angiver, at enheden ikke må bortskaffes med husholdningsaffaldet.

Ved at bortskaffe enheden korrekt kan du være med til at undgå skadelige miljø- og helbreds-mæssige konsekvenser. Yderligere oplysninger om genanvendelse af enheden fås fra den kompetente myndighed, den lokale genbrugsstation eller enhedens forhandler.

Enheden skal bortskaffes som elektronisk og elektrisk affald på en genbrugsstation. I overensstemmelse med artiklen i bekendtgørelse nr. 15 fra den 25. juli om implementering af direktiv 2002/96/EF, med hensyn til reduktion af de farlige stoffer i elektriske og elektroniske apparater samt bortskaffelse af affald.

Symbolet med den overstregede skraldespand på apparatet viser, at apparatet er ved afslutningen af dets levetid ikke må bortskaffes som almindeligt husholdningsaffald.

Derfor skal brugere, når apparatet har nået enden af dets levetid, tage det til en egnet genbrugsstation til elektronisk og elektroteknisk affald, eller returnere det til forhandleren, når brugeren køber et nyt apparat af tilsvarende type.

Korrekt, særskilt affaldsindsamling af skrottet apparat til efterfølgende genbrug, behandling og miljøvenlig bortskaffelse er med til at undgå en mulig negativ indvirkning på miljø og sundhed og letter genbrug af materialer, der er anvendt til fremstilling af apparatet.

Innholdsfortegnelse

Om denne håndboken	101
Sikkerhetsinformasjon	101
Produktinformasjon	103
System	103
Kran Active kokende 3-i-1 elektronisk	103
Hydraulisk boks	103
Filter	103
Kjele	104
Installasjon	105
Generelle startpunkter for installasjon	105
Installasjonstrinn	105
Bruk	105
Bruk av kjele	105
Ta kjelen ut av bruk	106
Ta kjelen ut av drift	106
Slå på for første gang	106
Betjening av kranen	107
Betjening av blandespak	107
Betjening av elektronisk knott	107
Fyllemodus	108
Drift og utskifting av filter	108
Valg av nøytral LED-intensitet	109
Feilsøking	109
Vedlikehold	111
Generelt vedlikehold	111
Bytte av filter	112
Avkalking av lufter	112
Avfallshåndtering	112



Om denne håndboken

Denne håndboken inneholder viktig informasjon om trygg og riktig installasjon og idriftsetting av produktet.

FRANKE forbeholder seg retten til å foreta endringer på produktet uten forvarsel. All informasjon er korrekt på tidspunktet for utstedelsen.

- ▶ Les brukerhåndboken nøye før du bruker enheten.


- ▶ Ta vare på brukerhåndboken.
- ▶ Bruk bare enheten som er beskrevet i denne brukerhåndboken i henhold til tiltenkt bruk.

Symbol	Betydning
	Varselsymbol. Advarsel mot fare for personskade.
	Handlingstrinn. Spesifiserer et tiltak eller en handling som skal utføres.

Sikkerhetsinformasjon


Generelt


 Installer produktet som beskrevet i denne håndboken og i samsvar med gjeldende installasjons-, sikkerhets- og lokale bestemmelser om vannforsyning!


 Ikke bruk produktet til annet enn tiltenkt bruk som angitt i denne håndboken.


 Produktet skal ikke modifiseres.

 Sett kun støpselet inn i en jordet stikkontakt.


 Denne kranen kan betjenes av barn under 12 år og av personer med reduserte fysiske, sensoriske eller mentale evner, eller som mangler nødvendig erfaring eller kunnskap, kun under overoppsyn eller etter at de er instruert om trygg bruk av produktet, og når de er klar over farene som kan oppstå på grunn av bruk av produktet og/eller systemet.


 Rengjøring og vedlikehold skal ikke utføres av barn eller personer med reduserte fysiske, sensoriske eller mentale evner, eller som mangler nødvendig erfaring eller kunnskap, uten overoppsyn.


 Påse at barn ikke leker med produktet og/eller systemet.


 Produktet og/eller systemet er ment brukt i husholdninger og lignende omgivelser, slik som:


- Personalkjøkken i butikker og på andre arbeidsplasser,
- Av gjester på hoteller, moteller og i andre bomiljøer,
- Bed and breakfast overnatting og andre liknende bomiljøer.

 Bruk i andre miljøer skal skje etter konsultasjon med produsenten av produktet og/eller systemet.

 Hvis strømledningen med støpsel er skadet, må den skiftes ut av produsenten eller produsentens kundeservice eller av en kvalifisert person for å unngå elektrisk støt.

 Ved behov smøres O-ringer med silikonfett.

 For å unngå at produktet fryser skal det kun installeres i et frostfritt rom.

 Sikkerhetsinstrukser må overholdes for å unngå personskader og/eller skade på produktet og/eller systemet.

⚠ Vedlikeholdsinstruksjoner må overholdes for å unngå skade og/eller overdreven slitasje.

⚠ Som et resultat av våre kontinuerlige forbedringer av våre produkter og/eller systemer, kan illustrasjonene i dette dokumentet avvike noe fra den leverte enheten.

⚠ Du kan laste ned den nyeste versjonen av håndboken via nettsiden vår:

www.franke.com

⚠ Franke kan ikke holdes ansvarlig for kostnader, skader eller personskader som oppstår dersom produktet ikke betjenes i henhold til instruksene i denne håndboken.

⚠ Kran- og kjelemodellen kan avvike noe fra modellene som er avbildet i håndboken.

⚠ **Forsiktig:** Bruk ALDRI taggete verktøy, ellers kan det oppstå skade. Det skal alltid brukes egnet verktøy for å stramme koblingen ved behov.

Trykk på

⚠ Unngå forbrenninger, og vær oppmerksom når du bruker varmt vann. Temperaturen på varmtvannet kan være over 55 °C.

⚠ Unngå forbrenninger, og vær oppmerksom når du bruker kokende vann. Temperaturen på vannet kan være over 100 °C.

Kjele

⚠ Forsikre deg om at kjelen er fylt med vann før du setter den i drift.

⚠ Kjelen skal aldri løftes eller bæres etter slangene eller strømledningen.

⚠ Apparatet må alltid være koblet til tilførselen av kaldt vann.

⚠ Før kjelen installeres, må du kontrollere at trykkavlastningsventilens utløp er 8 cm over avløpsrørets tilkobling.

⚠ Utløpsslangen må være koblet til med en kontinuerlig helling nedover, og det må lages en hevert. Vær derfor oppmerksom på at det kan være nødvendig å kutte avløpsslangen.

Filterpatron

⚠ Bruk av Frankie-filter er obligatorisk for å beskytte produktet mot kalkavleiring. Det er obligatorisk å skifte filter basert på vannets hardhetstabell.

⚠ Etter oppbevaring ved en temperatur på 0 °C må filteret først oppbevares i 24 timer ved romtemperatur før det installeres.

⚠ Filterpatronen må ikke åpnes eller skades.

⚠ Filterpatronen og systemet må skylles grundig etter lengre perioder uten bruk og/eller under vedlikeholdsarbeid (2 liter skyllevann etter 1 uke uten bruk, 10 liter skyllevann etter 4 uker uten bruk).

⚠ Filterpatronen må erstattes dersom den ikke har vært i bruk på 3 måneder etter idriftsetting.

⚠ Hvis filteret ikke skiftes ut, blir garantien ugyldig.

Garanti

Skann QR-koden for å komme til retningslinjene for garanti:



Produktinformasjon

System

Vannforsyningstrykk (min.)	100 kPa/14.5 psi/1 bar
Vannforsyningstrykk (maks.)	500 kPa/72.5 psi/5 bar
Gjennomstrømming for kokende vann	2-4 l/min * 2,5 bar
Gjennomstrømming for kaldt vann	5-9 l/min *
Gjennomstrømming for varmt vann	5-9 l/min *

* Gjennomstrømmingen varierer avhengig av vannforsyningstrykket og krantypen.

Krav til vannkvalitet

pH-verdi	7-9,5
----------	-------

Kran Active kokende 3-i-1 elektronisk

Sjekk detaljene i "Installasjonshåndbok" side 5.

Hydraulisk boks

Sjekk detaljene i "Installasjonshåndbok" side 5.

Filter

Sjekk detaljene i "Installasjonshåndbok" side 5.


Filtertype	Franke Pro M
Diameter	95 mm
Høyde inkl. filterhode	295 mm
Filterhode	Bajonett / separat del

Avfallshåndtering av restavfall

Avkarbonisering	Ja
Lukt	Ja
Klor	Ja
Partikkel	Ja
Mikroplast	Ja

Kjele

Sjekk detaljene i "Installasjonshåndbok" side 6.

 **Advarsel!** Det er kun mulig å montere kjele vertikalt (av/på-knotten nederst).


Kjele	4 liter	7 liter
Dimensjoner [H x B]	340 x 229 mm	494 x 229 mm
Nettovekt	4,5 kg	5,5 kg
Innhold	4 l	7 l
Spenning	220-240 V AC	220-240 V AC
Effekt	1650 W (+5% / -10%)	1650 W (+5% / -10%)
Belastning	9,2 A	9,2 A
Standby-modus maks.	14 W	14 W
IP-klassifisering	IPX4	IPX4
Oppbevaringstemperatur	<105 °C	<105 °C
Oppvarmingstid [ΔT 100 K]	15 min	24 min
Driftstrykk (maks.)	800 kPa / 116 psi / 8 bar	800 kPa / 116 psi / 8 bar
Driftstemperatur	0-40 °C	0-40 °C
Strømforsyning EU	Type E+F CEE 7/7 Schuko	Type E+F CEE 7/7 Schuko
Strømforsyning UK	Type G/ BS 1363 Britisk 3 pinner	Type G/ BS 1363 Britisk 3 pinner
Deklarert lastprofil og typisk bruk	XXS	XXS
Energieffektivitetsklasse for vannbåren varme	A	A
Energieffektivitet ved oppvarming av vann	38,9%	39,6%
Årlig strømforbruk	435 kWh	466 kWh
Temperaturinnstilling for termostat	103 °C	103 °C

Installasjon

Generelle startpunkter for installasjon

Utfør følgende trinn før installasjonsstart.

1. Det må allerede være installert stengeventiler.
2. Hvis vanntrykket er over 5 bar, må du bruke en trykkreduksjonsventil (3 bar).
3. Lukk stengeventilene.
4. I eksisterende installasjoner fjernes kranen, slangene og kjelen, dersom disse fortsatt er montert.
5. Merk eksisterende kaldt- og varmtvannskobling.
6. Det må være to stikkontakter tilgjengelig for strømforsyning.

 Monter overtrykksventilen så høyt som mulig i kjøkkenskapet.

Installasjonstrinn

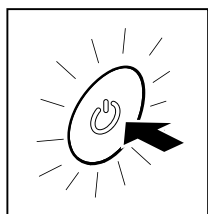
Sjekk detaljene i "Installasjonshåndbok" side 3–16.

1. Installere 3-i-1-kran (se side 7)
2. Installere filter (se side 8)
3. Installere trykkavlastningsventil (se side 8)
4. Koble til avløpslange (se side 9)
5. Installere kjele (se side 9)
6. Installere hydraulikkboks (se side 10)
7. Koble til hydraulikkboks (se side 10)
8. Aktivering av hydraulikkboks (se side 11)
9. Spyling av kjelen (se side 11)
10. Aktivering av kjelen (se side 11)
11. Installere med WWS (se side 12 og 13)
12. Installere med Bypass (se side 14 og 15)
13. Idriftsetting (se side 11)

Bruk

Bruk av kjele

- ▶ Ved å trykke på PÅ/STANDBY-knappen byttes det mellom kjelemodus PÅ og STANDBY.




PÅ: LED-lyset lyser kontinuerlig rødt.

AV: LED-lyset er av.

Når kjelen har vært slått av i en uke, anbefaler vi at følgende prosedyre følges før bruk:

- ▶ Slå på kjelen. Vent til kjelevannet har nådd temperaturen.
- ▶ Åpne kranen til det kokende vannet, og skyll den kokende vannkanalen til det kommer kaldt vann ut av kranen.

 **Forsiktig:** Se til at vannet ikke atomiseres under skylling.

- ▶ Varm opp kjelevannet igjen.

Ta kjelen ut av bruk

1. Trekk kjelestøpselet ut fra stikkontakten i vegg.
2. Start vannstrømmen på den elektroniske knotten.
3. Vent til det kommer ut kaldt vann.
4. Stopp vannstrømmen på den elektroniske knotten.
5. Lukk stengeventilen.
6. Start vannstrømmen på den elektroniske knotten.
7. Vent til det ikke kommer ut mer vann.

8. Stopp vannstrømmen på den elektroniske knotten.
9. Koble slangene fra kjelen.
10. Fjern kjelen.
11. La vannet fra slangene og kjelen renne ned i vasken.

Ta kjelen ut av drift

Hvis du ikke forventer å ha behov for kokende vann over en lengre periode, slik som under ferier, kan du slå av kjelen (midlertidig):

- Bruk kjelens STANDBY-modus, eller ta ut kontakten fra vegguttaket for å forhindre oppvarming av kjelen.

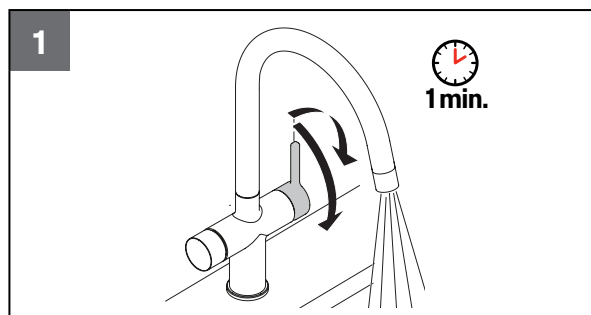
Slå på for første gang



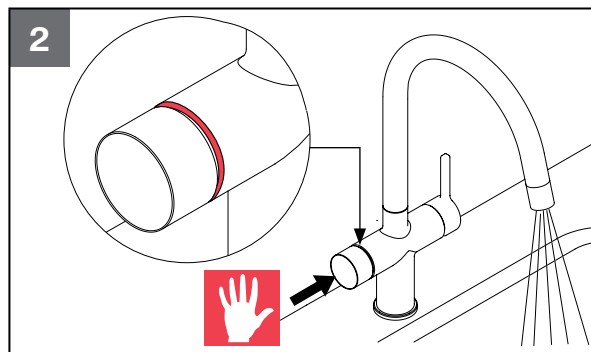
Påse at kjelen er fylt med vann!

Kjele

1. Bruk blandekranen og skyll med varmt vann i 1 minutt (fig. 1).

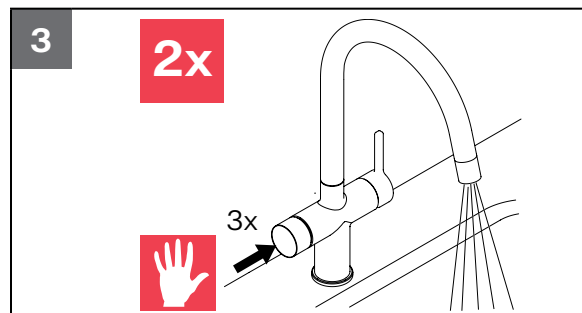


2. Aktiver den elektroniske knotten og velg kokende vann (rød LED) (fig. 2).



3. Trykk på den elektroniske knotten 3 ganger. Gjenta dette trinnet to ganger for å sikre at kjelen er spylt og full av vann. Systemet blir spylt. Det er normalt at det kommer ut luft i

begynnelsen av spylemodusen. Når det kommer en jevn, laminær strøm ut av kranen, er systemet riktig spylt.



4. Slå på kjelen.
5. Inspiser installasjonen for lekkasjer etter at den settes i drift.

Vannet når koketemperatur etter ca. 15 minutter.



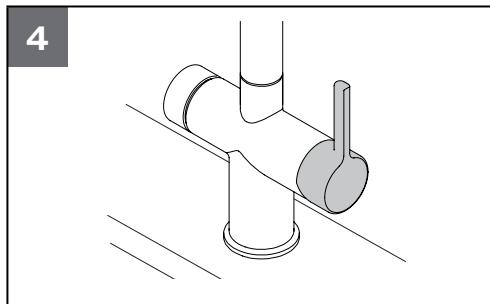
Advarsel: Hvis det etter 10 minutter under oppvarmingen ikke har kommet ut noe ekspansjonsvann via sikkerhetsgruppen (svart trykkventil), må du straks slå av strømforsyningen og skru på kokevannskranen for å avlaste vanntrykket.

- Kjelen er oppvarmet når ON/STANDBY-knappen lyser rødt med fast lys.
6. For å rengjøre tanken aktiverer du kranen for kokende vann til det renner ut kaldt vann.

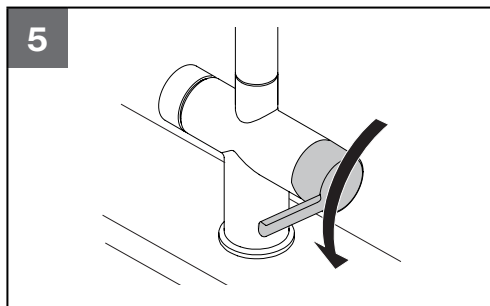
Betjening av kranen

Betjening av blandespak

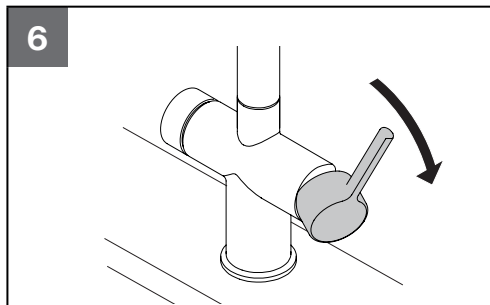
- ▶ Velg varmt vann (fig. 4).



- ▶ Velg kaldt vann (fig. 5).

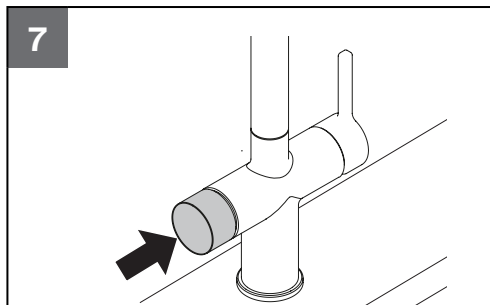


- ▶ Skru på blandeblenderen (fig. 6).

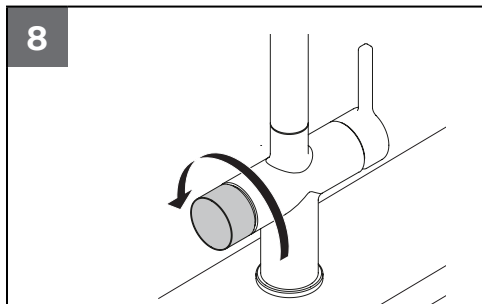


Betjening av elektronisk knott

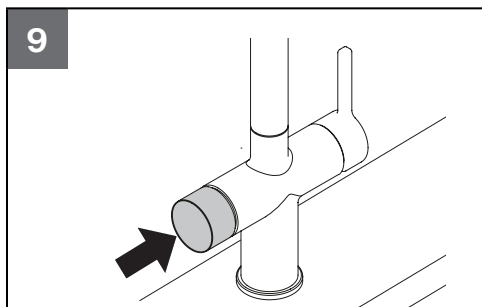
- ▶ Aktivere kran: Trykk kort 1 gang (fig. 7).



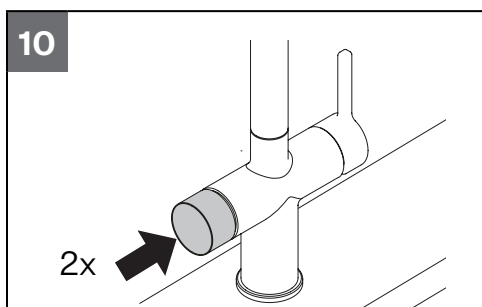
- ▶ Trykk og vri bakover (for å aktivere valg av kokende vann, fig. 8).



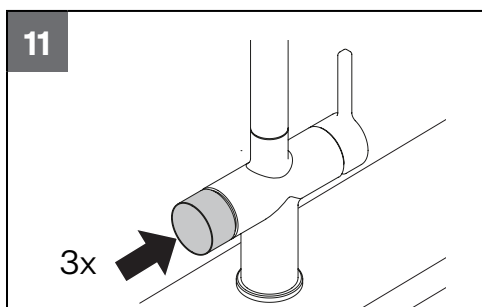
- ▶ For kontinuerlig kokende vann: Hold valgknotten inne (fig. 9).
Deaktiver: Slipp knotten.



- ▶ Påfyllingsmodus kort: Trykk kort 2 ganger (fig. 10). Stopper automatisk.
Deaktiver: Trykk kort på 1x.



- ▶ Fyllemodus, lang: Trykk kort 3x (fig. 11).
Stopper automatisk.
Deaktiver: Trykk kort på 1x.



- ▶ Hold gjenstanden som skal fylles med vann inntil kranen, slik at den omslutter kranåpningen. Dette vil forhindre at (varmt) vann spruter ut.
- ▶ For optimalt resultat når man lager kaffe eller te, lar man ca. 1 dl vann renne ut før du bruker kranen. Da vil eventuelle luftbobler i vannet forsvinne, slik at man unngår at det danner seg skum på overflaten av teen.

Fyllemodus

- ▶ Trykk 2x kort for å fylle pannen.
Kannefylling: Kokende vann (rød) = strømning 30 sekunder
- ▶ Trykk kort 3x for å fylle pannen.
Kannefylling: Kokende vann (rød) = strømning 60 sekunder

Drift og utskifting av filter

1. Trykk og hold inne den elektroniske knotten (i nøytral posisjon) i 10 sekunder.
2. Drei den elektroniske knotten bakover for å velge riktig farge fra tabellen på neste side, basert på vannets hardhet i ditt område. Trykk og hold inne den elektroniske knotten i 2 sekunder. LED-lyset blinker 3 ganger som bekreftelse og går tilbake til nøytral posisjon.

LED-lyset i nøytral posisjon minner deg 1 måned i forveien om at filteret må skiftes ut. LED-lyset i nøytral modus skifter fra hvit til oransje.

Hvis filteret har nådd utløpsdatoen, begynner den oransje LED-lyset å pulsere inntil filteret er skiftet ut.

Vri langsomt det brukte filteret ut av filterhodet. Under denne prosessen kobles vanntilførselsledningen hydraulisk fra filterhodet og systemet gjøres trykkløst; det kan forekomme trykktopper, og en liten mengde trykkavlastningsvann kan komme ut fra filterhodet.

Vær oppmerksom på dette og plasser en egnet beholder under.

Gjenta trinn 1 og 2 etter filterbyttet.

Hvis du har registrert systemet ditt, vil du få en påminnelse på e-post.



Bruk av Franke-filter er obligatorisk for å beskytte produktet mot kalkavleiring. Det er obligatorisk å skifte filter basert på vannets hardhetstabell.

Hardhet på vann	LED-farge
<10 °dh	lyseblå
10-15 °dh	gul
15-20 °dh	lysegrønn
>20 °dh	lilla

Filterspyling	
Etter 1 ukes stagnasjon	2 liter
Etter 2 ukers stagnasjon	10 liter
Etter 8 ukers stagnasjon	Filteret må skiftes ut.

Hardhet på vann	Filterets levetid
<10 °dH*	12 måneder
10-15 °dH	10 måneder
15-20 °dH	8 måneder
>20 °dH	6 måneder

* standardinnstilling

Valg av nøytral LED-intensitet

Etter 60 sekunder uten bruk av kranen går den automatisk over i hvilemodus med 50% LED-intensitet.

For å endre innstillingene for hvilemodus må du følge instruksjonene nedenfor.

1. Aktiver kranen ved å trykke en gang på den elektroniske knotten.
2. Trykk på den elektroniske knotten 5 ganger.
3. LED-lyset begynner å blinke.
4. Vri knotten til ønsket innstilling ved å vri knotten forover eller bakover:
 1. 50% intensitet, standard,
 2. 10% intensitet,
 3. Slått helt av.
5. Etter valget trykker du på den elektroniske knotten i 2 sekunder for å bekrefte. Trykknappen blinker 3 ganger som bekreftelse.

Feilsøking

Kjelemeldinger

LED-farge	LED-handling	Beskrivelse
Blå	Blinker	Kjelen inneholder ikke vann.
Blå	Lyser	Selvkontroll av idriftsettelse/system.
Oransje	Blinker	Systemfeil; kontakt Franke-service.
Rød	Blinker	Kjelen varmes opp.
Rød	Lyser	Kjelen er fullt oppvarmet.

Kranmeldinger

LED-farge	LED-handling	Funksjon	Beskrivelse
Rød	Lyser	Kokende vann	Valg av kokende vann er mulig.
Rød	Roterende	Valg av kokende vann pågår.	Valg av kokende vann pågår.
Oransje	Lyser	Filter	Filterpatronen er nesten ferdig og må skiftes ut innen en måned.
Oransje	Pulserende	Filter	Filteret er oppbrukt og må skiftes ut direkte.

Elektronisk knott reagerer ikke

Årsak	Løsning
Programvareproblem.	Koble fra strømforsyningen i minst 10 sekunder.
Kabelkontakten for kranen er feilaktig tilkoblet.	Plugg kabelkontakten godt inn.
Vegguttaket er ikke strømførende.	Kontroller strømforsyningen. Strømgruppen har sviktet på grunn av overdreven belastning. Kjelen kan ikke tilkobles samme strømgruppe som en oppvaskmaskin.
Kabelen eller kontakten for kranen er skadet eller defekt.	Ta kontakt med Franke.

Vannlekkasjer

Årsak	Løsning
Kobling lekker	Inspiser kobling(er) og stram til på nytt, ved behov.
Slange(r) lekker	Inspiser slange(ne) og erstatt eventuelt lekkende slange(r).
Kjele lekker	Trekk kjelestøpselet ut fra stikkkontakten i veggen. Steng vannforsyningen. Ta kontakt med Franke.
Kran lekker	Steng vannforsyningen. Ta kontakt med Franke.

Kranen leverer ikke vann

Årsak	Løsning
Knekk på slange(r).	Inspiser slange(ne) og rett ut eventuelle slange(r) med knekk.
Hovedvannventilen er stengt.	Åpne hovedvannventilen.
Stengeventilen i kjøkkenskapet er stengt.	Åpne stengeventilen.

Kranen leverer ikke kokende vann

Årsak	Løsning
Knekk på slange(r).	Inspiser slange(ne) og rett ut eventuelle slange(r) med knekk.
PRV er stengt.	Åpne ved å vri på knotten.
Filteret er ikke eller ikke riktig installert.	Kontroller at filteret er låst. Snu ut og snu tilbake igjen.
Den elektroniske knotten er ikke koblet til stikkkontakten.	Kontroller at de elektriske tilkoblingene er tilkoblet.

Kranen leverer ikke varmt vann

Årsak	Løsning
Knekk på slange(r).	Inspiser slange(ne) og rett ut eventuelle slange(r) med knekk.
Kjelen fungerer ikke.	Se tabellen "Vannet fra kranen er ikke kokende".
Varmtvannsapparatet fungerer ikke.	Se bruksanvisningen til varmtvannsapparatet, varmtvannsstøtten eller Bypass.

Vannet fra kranen er ikke kokende

Årsak	Løsning
Støpselet til kjelen er ikke satt inn i stikkontakten i veggen.	Sett støpselet i en jordet stikkontakt.
Vegguttaket er ikke strømførende.	Kontroller strømforsyningen. Strømkretsen har sviktet på grunn av overdreven belastning. Kjelen kan ikke tilkobles samme strømkrets som en oppvaskmaskin.
Kjelen er AV (standby-modus).	Slå kjelen PÅ.
Kjelen har ikke varmet seg opp helt.	Vent til kjelen er varmet helt opp.
Kjelen er defekt.	Ta kontakt med Franke.

Kjelen forårsaker kortslutning

Årsak	Løsning
Det er en kortslutning i strømkablingen eller i kjelens varmeelement.	Trekk kjelestøpselet ut fra stikkontakten i veggen. Ta kontakt med Franke.
Intet vann i kjelen. LED-lyset blinker blått.	Fyll kjelen med vann.

Hvis du ikke kommer til rette med feilen eller defekten, kan du kontakte Frankes servicedesk, installatøren eller forhandleren.

Vedlikehold

Generelt vedlikehold

- ▶ Rengjør kranen kun med Franke kranrens. Besøk vår Franke nettbutikk.
- ▶ Det skal ikke brukes rengjøringsmidler som inneholder løsemidler eller syre, som avkalkningsmidler, husholdningseddik eller

rengjøringsmidler med eddiksyre. Disse stoffene skader overflaten. Kranen vil bli matt og oppskrapet.

- ▶ Kalkavleiringer kan unngås ved å tørke av kranen etter hver gangs bruk.

- ▶ Hvis det allikevel oppstår kalkavleiringer, kan dette fjernes med et sitronsyrebasert rengjøringsmiddel.
- ▶ Bruk alltid originale Franke-deler til vedlikehold og reparasjoner. Dette garanterer trygg og riktig produktfunksjon, og sikrer eventuelle garantikrav.
- ▶ Utskiftning eller reparasjon av deler skal kun utføres Franke-service.

Bytte av filter

- ▶ Vri filteret med klokken for å ta det av filterhodet.
- ▶ Vri det nye filteret mot klokken for å installere det. Tilbakestill filterinnstillingen – se side 16 i "Installasjonshåndbok" (filterinstallasjon).
- ▶ Filterhodet har en integrert automatisk avstengningsventil. Du trenger ikke å isolere vanntilførselen for å skifte filter.


Avkalking av lufter

- ▶ **Bruk alltid et avkalkningsmiddel som er sitronsyrebasert.** Andre stoffer kan skade materialet!
- ▶ Det kan være enklere å løsne og stramme til hylsen rundt kranlufteledningen dersom du legger en strikk rundt lufteren. Påse at mansjetten på lufteren ikke skades gjennom bruk av verktøy.
- ▶ Over tid vil det danne seg kalkavleiringer på og rundt lufteren.
- ▶ Skru av hylsen på kranluftningsapparatet.
- ▶ Rengjør kranlufteren med et egnet avkalkningsmiddel.
- ▶ Plasser kranlufteren i hylsen.
- ▶ Sett pakningen på kranlufteren og skru på hylsen med fingrene.

Sjekk detaljene i "Installasjonshåndbok" side 15.

Avfallshåndtering



Symbolet på produktet eller på emballasjen indikerer at enheten ikke må  kastes i husholdningsavfallet.

Ved å avfallshåndtere enheten på en forsvarlig måte bidrar du til å unngå skadelige konsekvenser for miljø og helse.

Ytterligere opplysninger om gjenvinning av enheten er tilgjengelig fra aktuell myndighet, det lokale avfallshåndteringsselskapet eller produktforhandleren.

Avfallshåndter enheten via et spesialisert avfallsbehandlingsanlegg for elektroniske og elektriske enheter.

I henhold til artikkel for rettslig forordning nr. 15 fra 25. juli, om implementering av direktiv 2002/96/EF, som gjelder reduksjon av farlige stoffer som brukes i elektriske og elektroniske apparater samt avfallshåndtering.

Symbolet med utkrysset søppelkasse på apparatet indikerer at det ikke skal kastes som husholdningsavfall ved slutten av produktets levetid.

Når apparatet har nådd slutten av sin levetid, må brukeren derfor ta det med til en egnet gjenvinningsstasjon for elektronisk og elektroteknisk avfall, eller returnere det til forhandleren ved kjøp av et nytt apparat av lignende type.

Riktig kassering av det kasserte apparatet for senere gjenvinning, behandling og miljøvennlig avfallshåndtering hjelper å forhindre en potensiell negativ innvirkning på miljø og helse, og fremmer gjenvinning av materialene som brukes i konstruksjonen av apparater.



Franke S.p.A.
Via Pignolini 2, 37019 Peschiera del Garda, ITALIA
Tel 045 6449311
www.franke.it

DECLARATION OF CONFORMITY

We, Franke spa addressed in Via Pignolini 2 37019 Peschiera del Garda ITALY, declare under our sole responsibility that the product:

FRANKE CODE: 119.0713.578
MODEL DESCRIPTION: Maris Boiler 7L Tank UK-Stecker

to which this declaration relates is in conformity with the following regulations and standards:

Regulations:

- Electrical Equipment (Safety) Regulations 2016 – SI 2016 No. 1101
- Electromagnetic Compatibility Regulations 2016 – SI 2016 No. 1091
- Restriction of the Use of Certain Hazardous Substances in Electrical and Electronic Equipment Regulations 2012 – SI 2012 No. 3032
- Ecodesign for Energy-Related Products and Energy Information Regulations 2019
- Pressure Equipment (Safety) Regulations 2016

Standards:

- EN 60335-1:2012 + AC:2014 + A11:2014 + A13:2017 + A1:2019 + A2:2019 + A14:2019 + A15:2021
- EN 60335-2-15:2016 + A11:2018 + A1:2021 + A2:2021 + A12:2021
- EN 60529:1991 + A1:2000 + A2:2013 + AC:2019
- EN IEC 61000-3-2:2019 + A1:2021
- EN 61000-3-3:2013 + A1:2019 + A2:2021 + AC:2022
- EN IEC 55014-1:2021
- EN IEC 55014-2:2021
- EN 50440:2015 + A1:2020
- EN IEC 63000:2018

Place and date: Peschiera del Garda, 23/11/2023

Franke S.p.A.
VP R&D and Category Management
Andrea Paiusco



Franke S.p.A.
Via Pignolini 2, 37019 Peschiera del Garda, ITALIA
Tel 045 6449311
www.franke.it

EU DECLARATION OF CONFORMITY

We, Franke spa addressed in Via Pignolini 2 37019 Peschiera del Garda ITALY, declare under our sole responsibility that the product:

FRANKE CODE: 119.0713.575
MODEL DESCRIPTION: MARIS WATER HUB BOILER 7L EU

to which this declaration relates is in conformity with the following directives and standards:

Directives:

- 2014/35/EU "Low Voltage Directive"
- 2014/30/EU "EMC Directive"
- 2017/1369/EU "Framework for energy labelling"
- 2011/65/EU "Restriction of the use of certain hazardous substances in electrical and electronic equipment (RoHS)"
- 2015/863/EU "Amending Annex II to Directive 2011/65/EU"
- 2014/68/EU "Pressure equipment"

Standards:

- EN 60335-1:2012 + AC:2014 + A11:2014 + A13:2017 + A1:2019 + A2:2019 + A14:2019 + A15:2021
- EN 60335-2-15:2016 + A11:2018 + A1:2021 + A2:2021 + A12:2021
- EN 60529:1991 + A1:2000 + A2:2013 + AC:2019
- EN IEC 61000-3-2:2019 + A1:2021
- EN 61000-3-3:2013 + A1:2019 + A2:2021 + AC:2022
- EN IEC 55014-1:2021
- EN IEC 55014-2:2021
- EN 50440:2015 + A1:2020
- EN IEC 63000:2018

Place and date: Peschiera del Garda, 23/11/2023

Franke S.p.A.
VP R&D and Category Management
Andrea Paiusco



Franke S.p.A.
Via Pignolini 2, 37019 Peschiera del Garda, ITALIA
Tel 045 6449311
www.franke.it

EU DECLARATION OF CONFORMITY

We, Franke spa addressed in Via Pignolini 2 37019 Peschiera del Garda ITALY, declare under our sole responsibility that the product:

FRANKE CODE: 119.0697.146

MODEL DESCRIPTION: Maris Water Hub Boiler 4L EU

to which this declaration relates is in conformity with the following directives and standards:

Directives:

- 2014/35/EU "Low Voltage Directive"
- 2014/30/EU "EMC Directive"
- 2017/1369/EU "Framework for energy labelling"
- 2011/65/EU "Restriction of the use of certain hazardous substances in electrical and electronic equipment (RoHS)"
- 2015/863/EU "Amending Annex II to Directive 2011/65/EU"
- 2014/68/EU "Pressure equipment"

Standards:

- EN 60335-1:2012 + AC:2014 + A11:2014 + A13:2017 + A1:2019 + A2:2019 + A14:2019 + A15:2021
- EN 60335-2-15:2016 + A11:2018 + A1:2021 + A2:2021 + A12:2021
- EN 60529:1991 + A1:2000 + A2:2013 + AC:2019
- EN IEC 61000-3-2:2019 + A1:2021
- EN 61000-3-3:2013 + A1:2019 + A2:2021 + AC:2022
- EN IEC 55014-1:2021
- EN IEC 55014-2:2021
- EN 50440:2015 + A1:2020
- EN IEC 63000:2018

Place and date: Peschiera del Garda, 31/07/2023

Franke S.p.A.
Chief Executive Officer
Barbara Borra



Franke S.p.A.
Via Pignolini 2, 37019 Peschiera del Garda, ITALIA
Tel 045 6449311
www.franke.it

EU DECLARATION OF CONFORMITY

We, Franke spa addressed in Via Pignolini 2, 37019, Peschiera del Garda, ITALY, declare under our sole responsibility that the product:

FRANKE CODE:	MODEL DESCRIPTION:
119.0698.122	Misc Maris Water Hub MFT elec J-canna SS
119.0698.123	Rub. Active Boiling 3in1 electr. J, MB
119.0698.124	Rub. Active Boiling 3in1 electr. J, CHR
119.0708.834	Active Boiling 3in1 electr. J-DS

to which this declaration relates is in conformity with the following directives and standards:

Directives:

- 2014/30/EU "EMC Directive"
- 2011/65/EU "Restriction of the use of certain hazardous substances in electrical and electronic equipment (RoHS)"
- 2015/863/EU "Amending Annex II to Directive 2011/65/EU"

Standards:

- EN IEC 61000-6-1:2019
- EN IEC 61000-6-2:2019
- EN IEC 61000-6-3:2021
- EN IEC 61000-6-4:2019
- EN IEC 55014-1:2021
- EN IEC 55014-2:2021
- EN IEC 63000:2018

Place and date: Peschiera del Garda, 31/07/2023

Franke S.p.A.
Chief Executive Officer
Barbara Borra



EU DECLARATION OF CONFORMITY

Franke S.p.A.
Via Pignolini 2, 37019 Peschiera del Garda, ITALIA
Tel 045 6449311
www.franke.it

We, Franke spa addressed in Via Pignolini 2, 37019, Peschiera del Garda, ITALY, declare under our sole responsibility that the product:

FRANKE CODE: 133.0702.321

MODEL DESCRIPTION: RIC Maris Water Hub Hydraulic Box electr

to which this declaration relates is in conformity with the following directives and standards:

Directives:

- 2014/35/EU "Low Voltage Directive"
- 2014/30/EU "EMC Directive"
- 2011/65/EU "Restriction of the use of certain hazardous substances in electrical and electronic equipment (RoHS)"
- 2015/863/EU "Amending Annex II to Directive 2011/65/EU"
- 2009/125/EG – Erp Directive (ÖkoDesign)

Standards:

- EN IEC 62368-1:2020 + A11:2020
- EN IEC 61000-3-2:2019 + A1:2021
- EN 61000-3-3:2013 + A1:2019 + A2:2021 + A2:2021/AC:2022
- EN 55032:2015 + AC:2016 + A11:2020 + A1:2020
- EN 55035:2017 + A11:2020
- EN IEC 61000-6-1:2019
- EN IEC 61000-6-2:2019
- EN 61000-6-3:2021
- EN IEC 61000-6-4:2019
- EN 55014-1:2021
- EN 55014-2:2021
- EN IEC 63000:2018

Place and date: Peschiera del Garda, 08/05/2023

Franke S.p.A.
Chief Executive Officer
Barbara Borra



Franke S.p.A.
Via Pignolini 2, 37019 Peschiera del Garda, ITALIA
Tel 045 6449311
www.franke.it

DECLARATION OF CONFORMITY

We, Franke spa addressed in Via Pignolini 2 37019 Peschiera del Garda ITALY, declare under our sole responsibility that the product:

FRANKE CODE: 133.0702.240

MODEL DESCRIPTION: RIC Maris Water Hub Hydraulic Box elecUK

to which this declaration relates is in conformity with the following regulations and standards:

Regulations:

- Electrical Equipment (Safety) Regulations 2016 – SI 2016 No. 1101
- Electromagnetic Compatibility Regulations 2016 – SI 2016 No. 1091
- Restriction of the Use of Certain Hazardous Substances in Electrical and Electronic Equipment Regulations 2012 – SI 2012 No. 3032
- Ecodesign for Energy-Related Products and Energy Information Regulations 2019

Standards:

- EN IEC 62368-1:2020 + A11:2020
- EN IEC 61000-3-2:2019 + A1:2021
- EN IEC 61000-3-3:2013 + A1:2019 +A2:2021 + A2:2021/AC:2022
- EN IEC 55032:2015 + AC:2016 + A11:2020 + A1:2020
- EN IEC 55035:2017 + A11:2020
- EN IEC 63000:2018
- EN IEC 61000-6-1:2019
- EN IEC 61000-6-2:2019
- EN IEC 61000-6-3:2021
- EN IEC 61000-6-4:2019
- EN IEC 55014-1:2021
- EN IEC 55014-2:2021

Place and date: Peschiera del Garda, 17/10/2023

Franke S.p.A.
Chief Executive Officer



Franke S.p.A.
Via Pignolini 2, 37019 Peschiera del Garda, ITALIA
Tel 045 6449311
www.franke.it

DECLARATION OF CONFORMITY

We, Franke spa addressed in Via Pignolini 2 37019 Peschiera del Garda ITALY, declare under our sole responsibility that the product:

FRANKE CODE: 119.0698.539
MODEL DESCRIPTION: Maris Boiler 4L Tank UK-Stecker

to which this declaration relates is in conformity with the following regulations and standards:

Regulations:

- Electrical Equipment (Safety) Regulations 2016 – SI 2016 No. 1101
- Electromagnetic Compatibility Regulations 2016 – SI 2016 No. 1091
- Restriction of the Use of Certain Hazardous Substances in Electrical and Electronic Equipment Regulations 2012 – SI 2012 No. 3032
- Ecodesign for Energy-Related Products and Energy Information Regulations 2019
- Pressure Equipment (Safety) Regulations 2016

Standards:

- EN 60335-1:2012 + AC:2014 + A11:2014 + A13:2017 + A1:2019 + A2:2019 + A14:2019 + A15:2021
- EN 60335-2-15:2016 + A11:2018 + A1:2021 + A2:2021 + A12:2021
- EN 60529:1991 + A1:2000 + A2:2013 + AC:2019
- EN IEC 61000-3-2:2019 + A1:2021
- EN 61000-3-3:2013 + A1:2019 + A2:2021 + AC:2022
- EN IEC 55014-1:2021
- EN IEC 55014-2:2021
- EN 50440:2015 + A1:2020
- EN IEC 63000:2018

Place and date: Peschiera del Garda, 17/10/2023

Franke S.p.A.
Chief Executive Officer
Barbara Borra

