

BEDIENUNGSANWEISUNG

mit Montageanweisungen

INSTRUCTIONS FOR USE

and installation

FKGF9850.0i

FKGF9855.0i

FKGF9835.0i

FKGF8851.0i



EN

DE

FR

ES

PT

NL

TR

IL

GR

IT



Lesen Sie unbedingt die Gebrauchsanleitung und den Montageplan vor Aufstellung, Installation sowie Inbetriebnahme.

Please read the users and installation instructions carefully before installation of the appliance and before starting to use it.

Service und Kundendienst

Telefon: 0209 – 401 631

Email: kundendienst@kueppersbusch.de

Küppersbusch

FÜR KÜCHEN MIT STIL

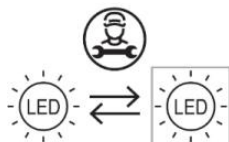
Content

GUIDELINES CONCERNING THE SAFETY OF USE	2
INSTALLATION AND OPERATING CONDITIONS OF THE APPLIANCE	6
UNPACKING	8
DISPOSAL OF OLD APPLIANCE	8
CONTROLS	9
OPERATION AND FUNCTIONS	11
USING THE REFRIGERATOR EFFICIENTLY.....	13
DEFROSTING, WASHING AND MAINTENANCE	15
TROUBLE-SHOOTING	17
INSTALLATION INSTRUCTION.....	19

GUIDELINES CONCERNING THE SAFETY OF USE

- The appliance is intended for household use only.
- The manufacturer reserves the right to introduce changes which do not affect the operation of the appliance.
- Some provisions in this user manual are unified for re-frigerating products of different types (for a refrigerator, refrigerator-freezer or freezer)
- The Manufacturer shall not be held liable for damage arising from the failure to observe the instructions contained in this manual.
- Keep this manual for future reference, or to pass it over to the next user.
- This appliance is not intended for use by persons (including children) with limited physical or mental capabilities and persons who lack experience or familiarity with the appliance.
- Do not allow children to use the appliance. Do not allow them to play with the appliance. They must not climb in-side the drawers and swing on the doors.
- The appliance operates properly at the ambient temperature (see product fiche). Do not use it in the cellar, un-heated summer cottage during autumn and winter.
- When placing, moving, lifting the appliance, do not hold the door handles, do not pull the condenser at the rear part of the refrigerator and do not touch the compressor unit.
- When transporting, moving or positioning the fridge-freezer do not tilt it by more than 40° from the vertical position. Should such a situation occur, the appliance should be switched on after minimum 2 hours from its replacement in the right position.
- Pull the plug out from the mains socket before each maintenance activity. Do not pull on the cord, but hold the body of the plug instead.
- The “cracking” sound, which the appliance may emit is caused by the expansion and contraction of parts as a result of temperature variations.
- For safety reasons do not repair the appliance yourself. Repairs carried out by persons who do not have the required qualifications may result in serious danger for the user of the appliance.

- Air the room in which the appliance is placed for a few minutes (the size of the room for a product containing isobutane/R600a must be at least 4m³) to avoid damage to the cooling system.
- Do not refreeze partly thawed products.
- Do not store beverages in bottles and cans, especially carbonated beverages, in the freezer chamber. The cans and the bottles may explode.
- Do not put frozen products, taken out directly from the freezer (lollies, ice cubes, etc.) into your mouth, their low temperature may cause severe frostbite.
- Make sure you do not damage the cooling system, by puncturing the refrigerant pipes in the evaporator or breaking the pipes. The refrigerant is flammable. If the refrigerant makes contact with the eyes, rinse them with clean water and call for medical assistance immediately.
- If the power wire gets broken, it should be replaced with a new one in a specialist repair shop.
- This appliance is intended for food storage, do not use it for other purposes.
- When performing activities, such as cleaning, maintenance or moving, the appliance must be completely disconnected from power supply (by pulling the plug out from the socket)
- This appliance can be used by children aged 8 years and older or by persons with physical, mental or sensory handicaps, or by those who are inexperienced or unfamiliar with the appliance, provided they are supervised or have been instructed how to safely use the appliance and are familiar with risks associated with the use of the appliance. Ensure that children do not play with the appliance. Cleaning and maintenance of the appliance should not be performed by children unless they are 8 years or older and are supervised by a competent person.
- In order to obtain more space in the freezer, you can remove the drawers and place the food directly on the shelves. This has no effect on the product mechanical properties and cooling performance. Declared freezer capacity was calculated with the drawers removed.
- This product contains a light source, replaceable (LED only) light source by a professional.








WARNING: Risk of fire / flammable materials

- Children aged from 3 to 8 years are allowed to load and unload refrigerating appliances.

To avoid contamination of food, please respect the following instructions:

- Opening the door for long periods can cause a significant increase of the temperature in the compartments of the appliance.
- Clean regularly surfaces that can come in contact with food and accessible drainage systems.
- Store raw meat and fish in suitable containers in the re-frigerator, so that it is not in contact with or drip onto other food.
- Two-star frozen-food compartments are suitable for storing pre-frozen food, storing or making ice-cream and making ice cubes.
- One-, two- and three-star compartments are not suitable for the freezing of fresh food.

	Compartments TYPE	Target storage temp.[°C]	Appropriate food
1	Fridge	+2≤+8	Eggs, cooked food, packaged food, fruits and vegetables, dairy products, cakes, drinks and other foods are not suitable for freezing.
2	Freezer 	≤-18	Seafood (fish, shrimp, shellfish), freshwater aquatic products and meat products (recommended for 3 months, the longer the storage time, the worse the taste and nutrition), suitable for frozen fresh food.
3	Freezer 	≤-18	Seafood (fish, shrimp, shellfish), freshwater aquatic products and meat products (recommended for 3 months, the longer the storage time, the worse the taste and nutrition), are not suitable for frozen fresh food.
4	Freezer 	≤-12	Seafood (fish, shrimp, shellfish), freshwater aquatic products and meat products (recommended for 2 months, the longer the storage time, the worse the taste and nutrition), are not suitable for frozen fresh food

5	Freezer (⊗)	≤ -6	Seafood (fish, shrimp, shellfish), freshwater aquatic products and meat products (recommended for 1 months, the longer the storage time, the worse the taste and nutrition), are not suitable for frozen fresh food.
6	0- star compartment	$-6 \leq 0$	Fresh pork, beef, fish, chicken, some packaged processed foods, etc. (Recommended to eat within the same day, preferably no more than 3 days). Partially encapsulated processed foods (non-freezable foods)
7	Chill	$2 \leq +3$	Fresh/frozen pork, beef, chicken, freshwater aquatic products, etc. (7 days below 0°C and above 0°C is recommended for consumption within that day, preferably no more than 2 days). Seafood (less than 0 for 15 days, it is not recommended to store above 0°C)
8	Fresh Food	$0 \leq +4$	Fresh pork, beef, fish, chicken, cooked food, etc. (Recommended to eat within the same day, preferably no more than 3 days)
9	Wine	$+5 \leq +20$	red wine, white wine, sparkling wine etc.

- Note: please store different foods according to the compartments or target storage temperature of your purchased products.
- If the refrigerating appliance is left empty for long periods, switch off, defrost, clean, dry, and leave the door open to prevent mould developing within the appliance.
- Water dispenser cleaning (special for water dispenser products): Clean water tanks if they have not been used for 48 h; flush the water system connected to a water supply if water has not been drawn for 5 days.
- Pursuant to Commission Regulation (EU) 2019/2019, the minimum availability period for spare parts necessary to repair the appliance is 7 or 10 years depending on the type and purpose of the spare part.
- The list of spare parts and the ordering procedure are available on the websites of the manufacturer, importer or an authorized representative.
- For more information about the product, please refer to the EU EPREL Product Database at <https://eprel.ec.europa.eu>. For more information, please use your mobile device to scan the QR code on the energy label or enter the product model listed on the energy label in the EPREL search engine <https://eprel.ec.europa.eu/>

INSTALLATION AND OPERATING CONDITIONS OF THE APPLIANCE

This refrigeration appliance is intended for use as a built-in appliance.

Installation before using the appliance for the first time

- Take the product out of the package, remove the scotch tape protecting the door and the equipment. Any remaining adhesive stains may be removed with a mild washing agent.
- Do not throw away the polystyrene elements of the packaging. If it is necessary to transport the fridge-freezer, pack it in the polystyrene elements and film as well as protecting it with scotch tape
- Clean the interior surface of the fridge-freezer and the elements of the equipment with a washing agent dissolved in lukewarm water, then wipe it dry.
- Place the fridge-freezer on an even, flat and stable surface, in dry, aired and shaded room, far from the heat sources such as: oven, hob, central heating radiators, central heating pipes, hot water installation, etc.
- On the exterior surface of the product may be a protective foil, this foils should be removed.
- Make sure the appliance is placed in a horizontal position by screwing in the 2 adjustable front legs.
- Make sure the distance between the side of the appliance (on door hinges side) and the wall is enough, to ensure that the door opens freely.
- Ensure adequate ventilation of the room and free air circulation from all sides of the appliance .

Minimum distances from the heat sources

- from the electric gas and other ovens - 30 mm,
- from oil or coal fired ovens - 300 mm,
- from built-in ovens - 50 mm

If there is no possibility of ensuring the above- mentioned distances, provide an appropriate insulation board.

Warning:

- The rear wall of the refrigerator, in particular, the condenser and other elements of the cooling system must not contact other elements, which may damage them, (e.g. central heating pipes and the water supply pipes).
- It is forbidden to readjust or modify any parts of the unit. It is crucial not to damage the capillary tube visible in the compressor recess. The tube may not be bent, straightened or wound.
- If the capillary tube is damaged by the user the guarantee will be void.
- In some models the handle is put into the appliance, You should screw it with Your own screwdriver,

Mains connection

- Prior to connection, it is recommended to set the temperature control knob to an „OFF” or other position that disconnects the appliance from the power supply (See page with the control description).
- This appliance should be connected to AC 220-240V 50Hz supply socket. The socket must be fitted properly, and must be supplied with an earthing conduit and a 10A fuse.

- It is a legal requirement that the appliance is properly earthed. The manufacturer will not be held liable for any damage or injury which may result from the failure to fulfil this requirement.
- Do not use adapters, multiple sockets and two-wire extension leads. If it is necessary to use the extension lead, it must be equipped with a protection ring and a single socket and must have a VDE/GS safety certificate.
- If an extension lead is used (with a protection ring and safety certificate), its socket must be located at a safe distance, away from the sinks, and must not be in a place where it could be flooded by water or waste water.
- See the type plate at the lower part of the internal wall of the appliance for de-tailed specifications**.

Disconnecting the mains

Make sure the appliance can be easily disconnected from the mains, either by pulling the plug out of the mains socket, or by switching the two-pole switch off.

Climate range

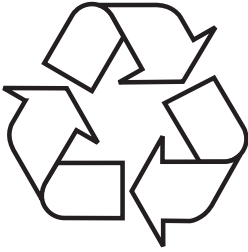
The information about the climate range of the appliance is provided on the rated plate or carton board.

Climate class		Allowable ambient temperature
SN	Extended Temperate	This refrigeration appliance is intended for use at an ambient temperature ranging between 10°C and 32°C
N	Temperate	This refrigeration appliance is intended for use at an ambient temperature ranging between 16 °C and 32°C
ST	Subtropical	This refrigeration appliance is intended for use at an ambient temperature ranging between 16 °C and 38 °C
T	Tropical	This refrigeration appliance is intended for use at an ambient temperature ranging between 16 °C and 43 °C

* Only free-standing appliances

** According to the model

UNPACKING



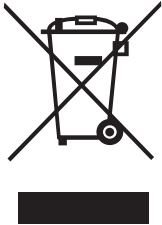
100% recyclable and are marked with the appropriate symbol.

Important! Packaging materials (bags, polyethylene, polystyrene, etc.) should be kept away from children during unpacking.

During transportation, protective packaging was used to protect the appliance against any damage. After unpacking, please dispose of all elements of packaging in a way that will not cause damage to the environment.

All materials used for packaging the appliance are environmentally friendly; they are

DISPOSAL OF OLD APPLIANCE



In accordance with European Directive 2012/19/EU and local legislation regarding used electrical and electronic goods, this appliance is marked with the symbol of the crossed-out waste container. This marking indicates that the appliance must not be disposed of together with other household waste after it has been used.

The user is obliged to hand it over to waste collection centre collecting used electrical and electronic goods. The collectors, including local collection points, shops and local authority departments provide recycling schemes.

Proper handling of used electrical and electronic goods helps avoid environmental and health hazards resulting from the presence of dangerous components and the inappropriate storage and processing of such goods.

CONTROLS



1. First time of switching on the appliance, this appliance always works at settings: 5°C for fridge, 0°C for My Zone and -18°C for freezer. If you want to adjust the temperature or functions manually, press the button to conduct the operations. Temperature ranges of adapt zone from -3°C to 3°C.
2. Fridge temperature adjustment –press button ④ on left part of control panel to achieve different temperatures from 2°C to 8°C.
3. Freezer temperature adjustment –press button ⑤ on right part of control panel to achieve different temperatures from -15°C to -25°C.
4. My Zone drawer adjustment function: this button ① controls temperature. By pressing on this button, the digit will go from -3° to +3°. This function can be on/off by continuously pressing for three seconds.
5. Fast cooling function –Press button ②, light of button illuminates and fast cooling function is turned on, fridge starts to work automatically at temperature setting 2°C and quits after 24 hours, light of symbol eliminates.
6. Holiday function–Press button ③, light of button illuminates, holiday function is turned on and whole appliance starts to work automatically at settings: fridge at 17°C and freezer at -18°C.
7. Eco function – Press button ⑥ on control panel, eco function is turned on and button illuminates, fridge compartment works at setting 5°C and freezer compartment works at setting of -18°C. The adapt zone works at setting of 3°C.
8. Fast freezing function – Press button ⑦, light of button illuminates and freezer start to work at fast freezing function, temperature setting -25°C. After 24 hours, fast freezing function quits automatically.
9. Press button ⑧ for 3 seconds to switch off your appliance and the button illuminates, power is cut off. Internal lamps eliminate, compressor stops working. Press the button ⑧ for 3 seconds to switch on your appliance, the symbol illuminated and power is connected again.

Additional information on the temperature

- The temperature inside the appliance is influenced by many factors. How you set the temperature control dial depends on the ambient temperature, sun exposure, how often you open the door and the amount of food stored. The middle setting of the dial is most optimal in most cases.
- Do not put food into the fridge freezer before it has reached its operating temperature, which takes minimum 4 hours.
- Do not change the temperature settings due to the change in the season of the year. The ambient temperature increase will be detected by the sensor and the compressor will be switched on automatically for a longer period of time in order to maintain the temperature set inside the chambers.
- The slight changes in temperature are perfectly normal and may occur, for instance during the storage of great quantities of fresh products in the fridge, or when the door is open for a longer period of time. This will not affect the condition of the stored foodstuff, and the temperature will quickly return to its set value.

Error code

This appliance has 'fault display & alarm' function. Once the sensors got fault, there are alarms displayed on the temperature displaying, the appliance still cools but professional service engineer should be called and check the appliance.

F2 – Sensor of adapt zone

F3 – Sensor of fridge apartment

F4 – Sensor of freezer
compartment

F5 – Sensor of defrosting

2E – Fault of fan/motor in freezer

CE– Communication fault between main panel and display panel.

The above Errors only show on display, no voice

Over temperature alarm in freezer: after freezer temperature arrives at the set temperature, after that, if the temperature rises to > -1 °C, the alarm will start, accompany with flash of freezer temperature digit. Press any button to cancel the voice alarm. The flash will remain until the temperature is < -1 °C.

PS: Main board locates in compressor compartment compartment


OPERATION AND FUNCTIONS

Storage of food in the fridge-freezer

- The products should be placed on plates, in containers or packed in food wrap. Distribute them evenly over the shelves.
- If the food contacts the rear wall, it may cause frosting or wetting of the products.
- Do not put dishes with hot food into the fridge
- Products which absorb flavours easily such as butter, milk, white cheese and products with intense flavour, such as fish, smoked meat, hard cheese must be placed on shelves, packed in food wrap or in tightly sealed containers.
- The storage of vegetables containing significant quantities of water will cause the deposition of condensation on the vegetable containers, it does not impact on the proper functioning of the fridge.
- Before putting the vegetables into the fridge, dry them well.
- Excessive moisture shortens the shelf life of vegetables, especially the leafed vegetables.
- Do not wash the vegetables before storing in the refrigerator. Washing removes the natural protection, therefore it is better to wash the vegetables directly before consumption.
- It is recommended to place the products in freezer drawers 1, 2, 3* up to natural loading capacity.**
 1. Packed products
 2. Shelf
 3. Natural loading capacity
 4. ❄️ ❄️ ❄️
- Stacking of products on the freezer shelves is acceptable.*
- It is acceptable to place products beyond the natural loading capacity by 20-30 mm.**
- In order to increase the loading capacity of the freezer chamber and allow the stacking of products on the freezer evaporator wire shelves up to maximum height it is possible to remove drawers 1 and 2.*

Freezing food**


- Practically all the food products, except for vegetables consumed raw, such as lettuce can be frozen.
- Only food products of the highest quality, divided into small portions for single use, should be frozen.
- Products should be packed in materials that are odourless, resistant to air and moisture penetration, and not susceptible to fat. Plastic bags, polyethylene and aluminium sheets are the best wrapping materials.
- The packaging should be tight and should stick to the frozen products. Do not use glass containers.
- Keep fresh and warm foodstuff at ambient temperature away from the products, which have already been frozen.
- We advise you not to place more of fresh food at a time to the freezer per day (see table with technical specification).
- In order to maintain optimum quality of the frozen food, reorganise the food that is in the middle of the freezer, so that it does not touch the products that are not yet frozen.
- It is recommended that you move the already frozen products to one side and place the fresh products that are to be frozen on the opposite side, as close to the rear and side walls as possible.

- To freezing products, use space marked  ***.
- Bear in mind that the temperature in the freezer is affected by several factors, including the ambient temperature and the quantity of food products in the chamber, the frequency of opening the door, the amount of frost in the freezer, and the thermostat setting.
- If you cannot open the freezer door immediately after closing it, allow 1-2 minutes for the negative pressure to compensate, and try again to open the door.


The storage time for frozen products depends on their quality before freezing when fresh, and on the storage temperature. The following storage periods are recommended when the temperature of -18°C or lower is maintained:


Products	Months
Beef	6-8
Veal	3-6
Giblets	1-2
Pork	3-6
Poultry	6-8
Eggs	3-6
Fish	3-6
Vegetables	10-12
Fruit	10-12

Do not store frozen food in rapid cooling chamber. Ice cubes can be prepared and stored in this chamber.

Note: If the appliance does not have a freezer compartment ( ***), it is not suitable for freezing foodstuffs.

* Applicable to appliances with a freezer compartment at the bottom of the appliance.

** Applicable to appliances with a freezer compartment  ***.

*** Not applicable to appliances with a freezer compartment marked  ***.

USING THE REFRIGERATOR EFFICIENTLY

Practical everyday tips

- Do not place fridges or freezers next to radiators, heaters, stoves or in direct sunlight.
- Make sure that air vents are not covered up and clean the dust off them once or twice a year.
- Select the right temperature: 6 to 8°C in your refrigerator and -18°C in your freezer is sufficient.
- When on holiday, turn up the temperature in your fridge.
- Only open your fridge or freezer when necessary. It helps if you know what food each contains and where it is located. Return food to the fridge or freezer as soon as possible after you have used it so that it does not warm up too much.
- Wipe the inside of your fridge regularly with a cloth soaked in a mild detergent. Appliances which are not self-defrosting will require regular defrosting. Do not allow frost layers thicker than 10 mm to form.
- Keep the seal around the door clean, otherwise it will not shut properly. Always replace broken seals.

Understanding the stars



Temperature is at least -6°C; sufficient to store frozen food for about a week. Drawers or compartments marked with one star used to be a feature of (mostly) cheaper fridges.



Food can be stored at -12°C or below for 1-2 weeks without losing its taste. Not suitable for freezing food.



This rating is mainly used to store foods at -18°C or below. Can also be used to freeze up to 1 kilogram of fresh food.



This appliance is suitable for storing foods at -18°C or below and freezing larger quantities of fresh foods.

Practical tips

Due to the natural circulation of the air in the appliance, there are different temperature zones in the refrigerator chamber.

- The coldest area is directly above the vegetables drawers. Use this area for all delicate and highly perishable food e.g.:
 - Fish, meat, poultry
 - Sausage products, ready meals
 - Dishes or baked goods containing eggs or cream
 - Fresh dough, cake mixtures
 - Pre-packed vegetable and other fresh food with a label stating it should be kept at a temperature of approx 4°C.
- The warmest area is in the top section of the door. Use this for storing butter and cheese.

Food that should not be stored in a refrigerator

- Not all food is suitable for storing in the refrigerator, particularly:
 - Fruit and vegetables which are sensitive to cold, such as bananas, avocado, papaya, passion fruit, aubergines, peppers, tomatoes and cucumbers.
 - Fruit which is not yet ripe
 - Potatoes

Warning:

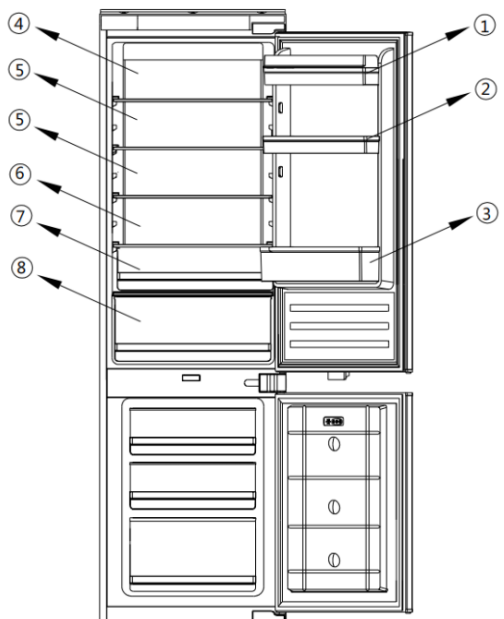
Example of storing the food - see below

To achieve the most effective food preservation for the longest possible time and to avoid wasting any food, position the products as shown in Figure 12. In addition, this figure illustrates the layout of drawers, baskets and shelves, which allows the most efficient use of energy.

Optimal temperature and storage conditions will extend product shelf life and optimize electricity consumption. Optimal storage temperature range should be stated on the food product packaging.

The fridge section is for short term food storage. Although low temperatures can be maintained, extended periods of food storage is not recommended. As the cold air circulates within the fridge, the temperature can vary between the different sections. As such, foods should be stored in different sections according to type.

1. Butter, cheeses etc.
2. Food in jars and bottles
3. Drinks, e.g. milk
4. Cooked food
5. Yogurts, preserves etc.
6. 75cl bottles or ready meals etc.
7. Fruit and vegetables
8. Fresh meat and fish/fruit and vegetables



The fridge shelves can be moved according to the storage requirements within the fridge section. To move the shelf, lift up the rear section and then pull it outwards.

The most energy-saving configuration requires drawers, food box and shelves to be positioned in the product, please refer to the above pictures.

DEFROSTING, WASHING AND MAINTENANCE

Never clean the product's casing or plastic parts using solvents or strong, abrasive detergents (e.g. washing powders or creams)! Use mild liquid detergents and soft cloths only. Do not use sponges.

Defrosting the fridge***

- Frost settles on the rear wall of the fridge chamber. It is removed automatically. During the defrosting, the condensate, which contains contaminants may clog the opening in the through. Should it occur, carefully unclog the opening with the cleaning plug.
- The appliance operates in cycles: it refrigerates (then the frost settles on the rear wall), and defrosts (water flows down the rear wall)
- Disconnect the appliance from the mains before cleaning by removing the plug from the mains socket or switching off the fuse. Prevent water from penetrating the control panel or the light.
- Do not use defrosting aerosols. They may cause the formation of an explosive mixture, or contain solvents which may damage the plastic components of the appliance and even be harmful to health.
- Make sure the water used for cleaning does not flow into the evaporation container through the discharge opening.
- The whole appliance, except for the door gasket must be cleaned with a mild cleaning detergent. The door gasket should be cleaned with water and wiped dry.
- Wash all the accessories (vegetable containers, door shelves, glass shelves, etc.).

Defrosting the freezer**

- It is recommended to combine defrosting the appliance with washing it.
- Excessive accumulation of ice on the freezing areas impairs the appliance's freezing capacity and increases the energy consumption.
- Defrost the appliance at least once or twice a year. In case of a higher ice build-up, defrosting must be carried out more frequently.
- If there is food in the freezer, set the knob to the max. position about 4 hours before the planned defrosting. This will ensure the possibility of storing the food at the ambient temperature for a longer time.
- After taking the food out of the freezer, put it in a container, wrap it with several layers of paper, a blanket and store it at a cool place.
- The defrosting operation should last as short as possible. Long storage of food at the ambient temperature shortens their shelf life.

Defrost the freezer chamber following steps:**

- Switch of the appliance using the control panel and pull the plug out from the socket..
- Open the door and remove the food from the freezer.
- Depending on the model, pull out the drainage tube located in the bottom of the freezer compartment and place a suitable vessel underneath.
- Leave the door open, this will speed up the defrost process. Additionally, a pot with hot water (not boiling) may be placed inside the freezer compartment.
- Wash the interior of the freezer and wipe it dry.
- Switch on the appliance as per the relevant point in the manual.

Automatic fridge defrosting****

The fridge chamber has been equipped with an automatic defrosting function. However, frost may settle on the rear wall of the fridge chamber. This happens usually, when large quantities of fresh food products are stored in the fridge.

Automatic freezer defrosting****

The freezer chamber has been equipped with an automatic defrosting function (no-frost). The food is frozen in the cooled circulation air, and the moisture from the freezer chamber is discharged outside. As a result, no ice and frost is produced in the freezer and the products do not freeze on each other.

Washing the fridge and freezer chambers manually****

It is recommended to wash the fridge and freezer chambers at least once a year. This prevents the formation of bacteria and bad odour. Switch off the appliance, remove the food from the chambers and wash them using water with a mild detergent. Then, wipe the chambers dry with a cloth.


Taking out and putting in the shelves*****

Slide the shelf out, then slide it in as much as possible so that its clamp could fit the guide groove.

Taking out and putting in the door shelf*****

Lift the door shelf, remove it and put it back from the top into its required position.

WARNING! You must not put an electric heater, a heating fan or a hair dryer into the freezer by any means.

- ** Applicable to appliances with a freezer compartment 
- *** Not applicable to appliances with a Frost-free System.
- *** Applicable to appliances with a refrigerator compartment
- *** Not applicable to appliances with a Frost-free System.
- **** Applicable to appliances with a Frost-free System.
- ***** Does not apply to freezers

TROUBLE-SHOOTING

Problems	Possible causes	Remedies
The appliance does not work	The electric circuit is disrupted	<ul style="list-style-type: none"> - check whether the plug is properly inserted into the socket - check whether the power cable of the appliance is not damaged - check whether there is voltage in the socket, by plugging another appliance, e.g. a night lamp - check whether the appliance is switched on by setting the thermostat to a position above 0.
The lighting inside the chamber does not work	The bulb is loose or fused (only appliances with bulb lightning type)	- fit the bulb correctly or replace it (see section above "Replacing the interior light bulb)
The appliance works continuously	Incorrect setting of the adjustment knob	- reset the knob to a lower position
	See. "Temperature inside the appliance is not low enough for description of other possible causes	See. "Temperature inside the appliance is not low enough for description of other possible remedies
Water collects in the lower part of the appliance	The water discharge opening is clogged (depending on the model)	- clean the discharge opening (see the operating manual – chapter entitled "Defrosting the fridge")
	Internal air circulation obstructed	- place the food and containers in such a way as that they do not touch the rear wall of the fridge
The appliance generates unusual noise	Incorrect levelling of the appliance	- level the appliance properly
	The appliance is touching furniture and/or other objects	- place the appliance at a location that ensures proper clearances around it

Problems	Possible causes	Remedies
Temperature inside the appliance is not low enough or too high	Incorrect setting of the adjustment knob	- reset the knob to a higher position
	The ambient temperature is higher or lower than the climate range from table with technical specification	- the appliance is adapted to operation in the climate range from table with technical specification.
	The appliance is located in a sunlit place or near heat sources	- move the appliance to another place. Observe the guidelines contained in the manual
	Too much warm food loaded at a time	- wait 72 hours until the food becomes cool (freezes) and the required temperature is reached inside the chamber
	Internal air circulation obstructed	- place the food and containers in such a way that they do not touch the rear wall of the fridge
	The air circulation at the back of the appliance is obstructed	- move the appliance min. 30 mm away from the wall
	The door of the fridge/freezer is opened too often and/or remains open for too long	- reduce the frequency of opening the door and/or shorten the time when door remains open
	The door does not close completely	- place the food and containers so that they would not interfere with door closed
	The compressor is switched on too rarely	- check whether the ambient temperature is not lower than climate class
	Door gasket inserted incorrectly	- press the gasket in

Certain sounds can be heard during normal use of the refrigerator, which do not affect its correct operation.

Sounds, which can be easily prevented:

- noise caused by the appliance which is not level - adjust the position with the adjustable turn-in front feet. Alternatively, place pads made of soft material under the rear rollers, especially when the appliance is placed on tiles.
- touching the adjacent piece of furniture - move the refrigerator away.
- creaking of the drawers or shelves - take out and put back the drawer or shelf.
- sounds of clinking bottles - move bottles apart.

Sounds heard during normal use are mainly due to operation of the thermostat, compressor (switching on) and cooling system (thermal expansion and contraction of the radiator caused by flow of the cooling agent).

INSTALLATION INSTRUCTION

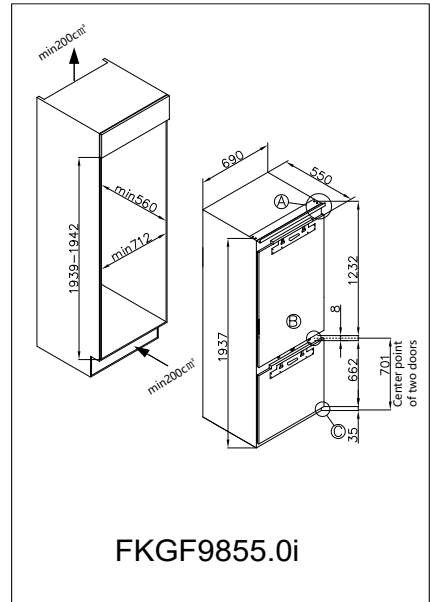
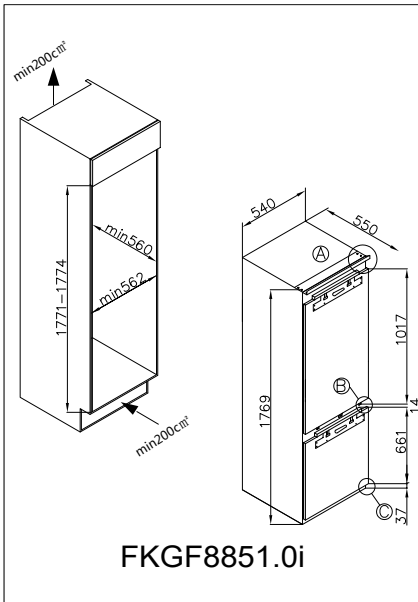
Installation preparation

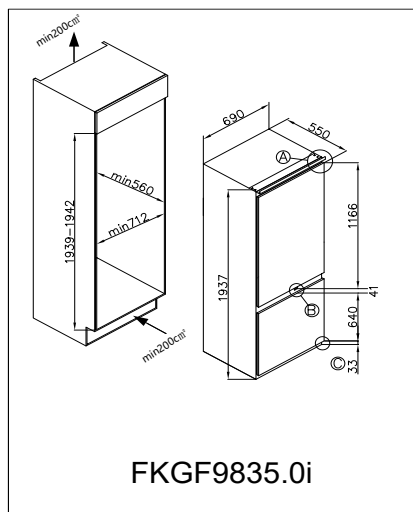
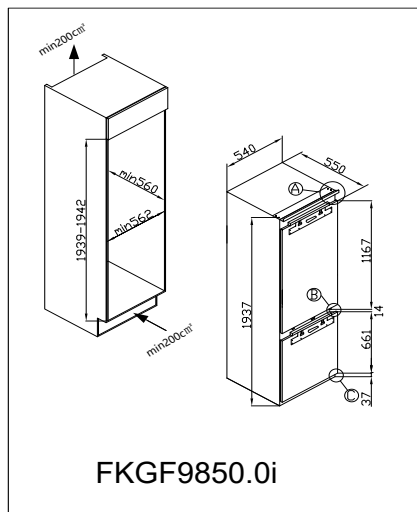
This appliance must never be installed close to heat sources, e.g. heating elements or cookers, nor in damp places.

Seek the help of another individual, or two, when installing this appliance. This appliance may have sharp edges. Wear adequate PPE for the task and environment.

- To ensure the appliance is level, you should use the height adjustable feet at the front of the appliance.
- The cooling system at the rear of the appliance must not touch the rear wall. The greater the gap, the better.
- The appliance must be installed with adequate ventilation. Ensure that there is clearance above the appliance to allow air to escape and that there is space between the rear of the appliance and the wall.

Installation drawing

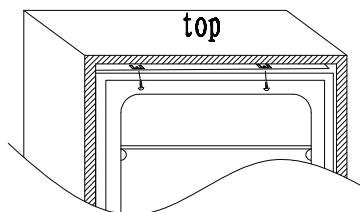
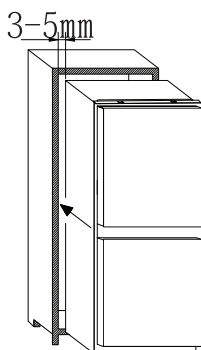




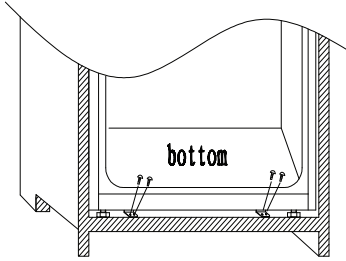
Installation instruction (sliding hinge)

1) Insert the appliance into the wooden furniture, placing it on the opposite site of the hinges, and make sure 3-5 mm distance gap.

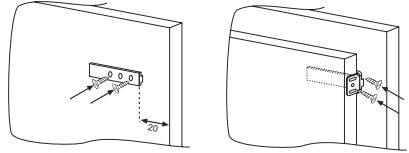
2) After ensuring the match between appliance door and column door, then screw the appliance upper part to the cabinet.



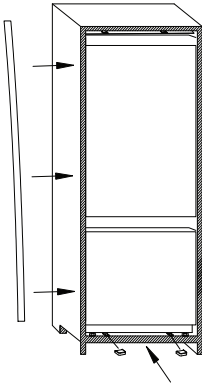
3) Screw the appliance lower part.



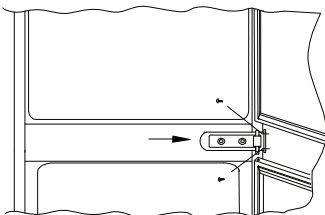
6) Fix the slider and slider base onto wooden door and appliance door



4) Fit the seal to the appliance, cut off the excessive part if necessary. Fit the bottom parts with plastic covers.

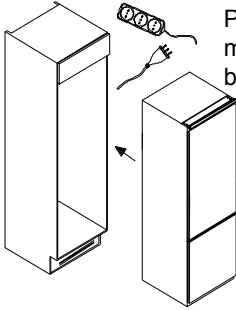


5) Use a cross-screwdriver to loosen the connecting pin underneath the right middle hinge, and adjust to screw onto the right cabinet wall.



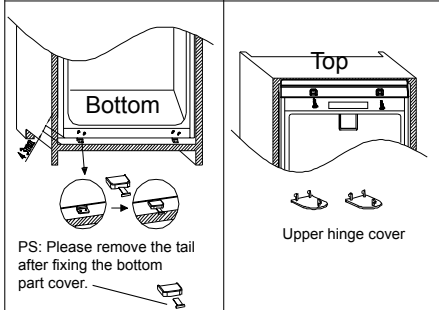
Installation instruction(FIX hinge)

1. Push the appliance into the wood furniture, the appliance should be better approach furniture left side.



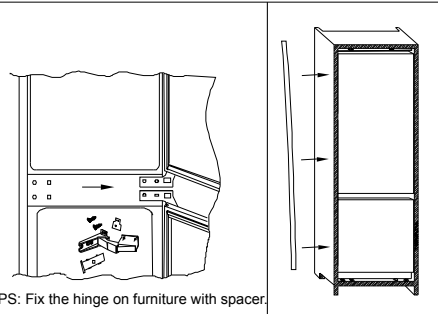
PS: The appliance must be plugged in before installation

2. Adjust the position of appliance, screw product top and bottom part on the furniture



PS: Please remove the tail after fixing the bottom part cover.

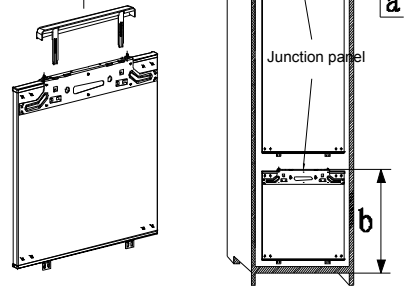
3. Fix the hinge on furniture by screw, attached the decoration stripe on the product left side.



PS: Fix the hinge on furniture with spacer.

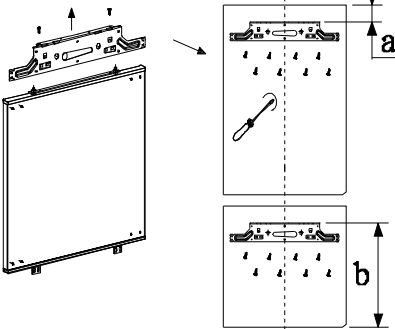
4. Measure the dimension on a and b.

Disassemble the junction panel before measuring.

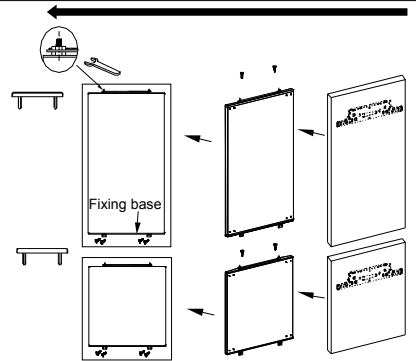


5. Fix the junction panel on furniture door.

The junction panel need to be fixed on middle of the furniture door.



6. Fix the appliance door on furniture door.



RICHTLINIEN ZUR SICHERHEIT DER VERWENDUNG.....	24
AUFSTELLUNG UND BETRIEBSBEDINGUNGEN DES GERÄTES.....	28
AUSPACKEN.....	30
ENTSORGUNG VON ALTGERÄTEN.....	30
STEUERUNG.....	31
BEDIENUNG UND FUNKTIONEN.....	33
DEN KÜHLSCHRANK EFFIZIENT NUTZEN.....	35
AUFTAUEN, WASCHEN UND PFLEGEN.....	37
FEHLERBEHEBUNG.....	39
INSTALLATIONSANLEITUNG.....	41

RICHTLINIEN ZUR SICHERHEIT DER VERWENDUNG

- Das Gerät ist nur für den Hausgebrauch bestimmt.
- Der Hersteller behält sich das Recht vor, Änderungen vorzunehmen, die den Betrieb des Gerätes nicht beeinträchtigen.
- Einige Bestimmungen in dieser Bedienungsanleitung sind für die Kühlung von Produkten verschiedener Art (für Kühl-, Kühl-Gefrier- oder Gefrierschrank) einheitlich
- Der Hersteller haftet nicht für Schäden, die durch die Nichtbeachtung der Anweisungen in diesem Handbuch entstehen.
- Bewahren Sie dieses Handbuch zum späteren Nachschlagen auf oder geben Sie es an den nächsten Benutzer weiter.
- Dieses Gerät ist nicht für den Gebrauch durch Personen (einschließlich Kinder) mit eingeschränkten körperlichen oder geistigen Fähigkeiten und Personen bestimmt, denen es an Erfahrung oder Vertrautheit mit dem Gerät mangelt.
- Lassen Sie Kinder das Gerät nicht benutzen. Lassen Sie sie nicht mit dem Gerät spielen. Sie dürfen nicht in die Schubladen klettern und an den Türen schwingen.
- Das Gerät funktioniert einwandfrei bei Umgebungstemperatur (siehe Produktdatei). Verwenden Sie es nicht im Keller, unbeheiztes Sommerhaus im Herbst und Winter.
- Halten Sie beim Aufstellen, Bewegen und Anheben des Geräts nicht die Türgriffe fest, ziehen Sie nicht am Kondensator am hinteren Teil des Kühlschranks und berühren Sie nicht die Kompressoreinheit.
- Kippen Sie den Gefrierschrank beim Transportieren, Bewegen oder Positionieren nicht um mehr als 40° aus der vertikalen Position. Sollte eine solche Situation auftreten, sollte das Gerät nach mindestens 2 Stunden nach dem Austausch in der richtigen Position eingeschaltet werden (Abb.2).
- Ziehen Sie vor jeder Wartungstätigkeit den Stecker aus der Steckdose. Ziehen Sie nicht am Kabel, sondern halten Sie stattdessen den Steckerkörper fest.
- Ziehen Sie vor jeder Wartungstätigkeit den Stecker aus der Steckdose. Ziehen Sie nicht am Kabel, sondern halten Sie stattdessen den Steckerkörper fest.
- Reparieren Sie das Gerät aus Sicherheitsgründen nicht selbst.

Reparaturen, die von Personen durchgeführt werden, die nicht über die erforderliche Qualifikation verfügen, können zu einer ernsthaften Gefahr für den Benutzer des Geräts führen.

- Lüften Sie den Raum, in dem das Gerät aufgestellt wird, einige Minuten lang (die Größe des Raums für ein Produkt, das Isobuthan/R600a enthält, muss mindestens 4m³ betragen), um Schäden am Kühlsystem zu vermeiden.
- Teilweise aufgetaute Produkte nicht wieder einfrieren.
- Lagern Sie Getränke in Flaschen und Dosen, insbesondere kohlenensäurehaltige Getränke, nicht in der Gefrierkammer. Die Dosen und Flaschen können explodieren.
- Nehmen Sie keine gefrorenen Produkte, die direkt aus dem Gefrierschrank genommen werden (Lollies, Eiswürfel usw.), in den Mund, da ihre niedrige Temperatur zu schweren Erfrierungen führen kann.
- Stellen Sie sicher, dass Sie das Kühlsystem nicht beschädigen, indem Sie die Kältemittelleitungen im Verdampfer durchstechen oder die Rohre brechen. Das Kältemittel ist brennbar. Wenn das Kältemittel mit den Augen in Berührung kommt, spülen Sie sie mit klarem Wasser aus und rufen Sie sofort einen Arzt auf.
- Wenn das Stromkabel gebrochen ist, sollte es in einer Fachwerkstatt durch ein neues ersetzt werden.
- Dieses Gerät ist für die Aufbewahrung von Lebensmitteln bestimmt, verwenden Sie es nicht für andere Zwecke.
- Bei Tätigkeiten wie Reinigung, Wartung oder Umzug muss das Gerät vollständig von der Stromversorgung getrennt werden (durch Ziehen des Steckers aus der Steckdose)
- Dieses Gerät kann von Kindern ab 8 Jahren oder von Personen mit körperlichen, geistigen oder sensorischen Behinderungen oder von Personen verwendet werden, die mit dem Gerät unerfahren oder unvertraut sind, sofern sie beaufsichtigt werden oder in den sicheren Umgang mit dem Gerät eingewiesen wurden und mit den mit der Verwendung des Geräts verbundenen Risiken vertraut sind. Stellen Sie sicher, dass Kinder nicht mit dem Gerät spielen. Die Reinigung und Wartung des Geräts sollte nicht von Kindern durchgeführt werden, es sei denn, sie sind 8 Jahre oder älter und werden von einer kompetenten Person beaufsichtigt.

Um mehr Platz im Gefrierschrank zu erhalten, können Sie die Schubladen entfernen und die Lebensmittel direkt in die Regale stellen. Dies hat keinen Einfluss auf die mechanischen Eigenschaften und die Kühlleistung des Produkts. Die angegebene Gefrierkapazität wurde bei entfernten Schubladen berechnet.


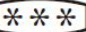



WARNUNG: Brandgefahr / brennbare Materialien

- Kinder im Alter von 3 bis 8 Jahren dürfen Kühlgeräte be- und entladen.

Um eine Kontamination von Lebensmitteln zu vermeiden, beachten Sie bitte die folgenden Hinweise:

- Ein längeres Öffnen der Tür kann zu einem erheblichen Temperaturanstieg in den Fächern des Geräts führen.
- Clean regularly surfaces that can come in contact with food and accessible drainagesystems.
- Bewahren Sie rohes Fleisch und Fisch in geeigneten Behältern im Kühlschrank auf, damit es nicht mit anderen Lebensmitteln in Berührung kommt oder auf diese tropft.
- Zwei-Sterne-Tiefkühlfächer eignen sich für die Lagerung von Tiefkühlkost, die Lagerung oder Herstellung von Speiseeis und die Herstellung von Eiswürfeln.
- Ein-, Zwei- und Drei-Sterne-Fächer sind nicht für das Einfrieren von frischen Lebensmitteln geeignet

	Abteile ART	Soll-Lagertemperatur [°C]	Angemessenes Futter
1	Kühlschrank	+2≤+8	Eier, gekochte Lebensmittel, verpackte Lebensmittel, Obst und Gemüse, Milchprodukte, Kuchen, Getränke und andere Lebensmittel sind nicht zum Einfrieren geeignet.
2	Gefrierschrank 	≤-18	Meeresfrüchte (Fisch, Garnelen, Schalentiere), Süßwasser-Wasserprodukte und Fleischprodukte (empfohlen für 3 Monate, je länger die Lagerzeit, desto schlechter der Geschmack und der Nährwert), geeignet für gefrorene frische Lebensmittel.
3	Gefrierschrank 	≤-18	Meeresfrüchte (Fisch, Garnelen, Schalentiere), Süßwasser-Wasserprodukte und Fleischprodukte (empfohlen für 3 Monate, je länger die Lagerzeit, desto schlechter der Geschmack und der Nährwert), sind nicht für gefrorene frische Lebensmittel geeignet.
4	Gefrierschrank 	≤-12	Meeresfrüchte (Fisch, Garnelen, Schalentiere), Süßwasser-Wasserprodukte und Fleischprodukte (empfohlen für 2 Monate, je länger die Lagerzeit, desto schlechter der Geschmack und der Nährwert), sind nicht für gefrorene frische Lebensmittel geeignet

5	Gefrierschrank	≤ -6	Meeresfrüchte (Fisch, Garnelen, Schalentiere), Süßwasser-Wasserprodukte und Fleischprodukte (empfohlen für 1 Monat, je länger die Lagerzeit, desto schlechter der Geschmack und der Nährwert), sind nicht für gefrorene frische Lebensmittel geeignet.
6	0- Sternen-Fach	$-6 \leq 0$	Frisches Schweinefleisch, Rindfleisch, Fisch, Huhn, einige verpackte verarbeitete Lebensmittel usw. (Es wird empfohlen, am selben Tag zu essen, vorzugsweise nicht länger als 3 Tage). Teilweise verkapselte verarbeitete Lebensmittel (nicht einfrierbare Lebensmittel)
7	Chill doch	$2 \leq +3$	Frisches/gefrorenes Schweinefleisch, Rindfleisch, Huhn, Süßwasseraquatische Produkte usw. (7 Tage unter 0°C und über 0°C werden für den Verzehr innerhalb dieses Tages empfohlen, vorzugsweise nicht länger als 2 Tage). Meeresfrüchte (weniger als 0 für 15 Tage, es wird nicht empfohlen, sie über 0°C zu lagern)
8	Frische Lebensmittel	$0 \leq +4$	Frisches Schweinefleisch, Rindfleisch, Fisch, Huhn, gekochte Speisen usw. (Es wird empfohlen, am selben Tag zu essen, vorzugsweise nicht länger als 3 Tage)
9	Wein	$+5 \leq +20$	rotwein, weißwein, sekt etc.

- Anmerkung: Bitte lagern Sie unterschiedliche Lebensmittel je nach Zusammensetzung oder Ziellagertemperatur Ihrer gekauften Produkte.
- Wenn das Kühlgerät längere Zeit leer steht, schalten Sie es aus, tauen Sie es ab, reinigen, trocknen Sie es und lassen Sie die Tür offen, um Schimmelbildung im Gerät zu vermeiden.
- Reinigung von Wasserspendern (speziell für Wasserspenderprodukte): Wassertanks reinigen, wenn sie 48 Stunden lang nicht benutzt wurden; Spülen Sie das an einen Wasseranschluss angeschlossene Wassersystem, wenn 5 Tage lang kein Wasser entnommen wurde.
- Gemäß der Verordnung (EU) 2019/2019 der Kommission beträgt die Mindestverfügbarkeitsdauer für Ersatzteile, die für die Reparatur des Geräts erforderlich sind, je nach Art und Verwendungszweck des Ersatzteils 7 oder 10 Jahre.
- Die Ersatzteilliste und das Bestellverfahren finden Sie auf den Webseiten des Herstellers, Importeurs oder eines Bevollmächtigten.
- Weitere Informationen zum Produkt finden Sie in der EU-EPREL-Produktdatenbank unter <https://eprel.ec.europa.eu>. Für weitere Informationen scannen Sie bitte mit Ihrem mobilen Endgerät den QR-Code auf dem Energielabel oder geben Sie das auf dem Energielabel aufgeführte Produktmodell in der EPREL-Suchmaschine ein <https://eprel.ec.europa.eu/>

AUFSTELLUNG UND BETRIEBSBEDINGUNGEN DES GERÄTES

Dieses Kühlgerät ist für die Verwendung als Einbaugerät vorgesehen.

Installation vor der ersten Inbetriebnahme des Gerätes

- Nehmen Sie das Produkt aus der Verpackung und entfernen Sie das Klebeband, das die Tür und das Gerät schützt. Verbleibende Klebeflecken können mit einem milden Waschmittel entfernt werden.
- Werfen Sie die Styroporelemente der Verpackung nicht weg. Wenn es notwendig ist, die Kühl-Gefrierkombination zu transportieren, verpacken Sie sie in die Styroporelemente und die Folie und schützen Sie sie mit Klebeband
- Reinigen Sie die Innenfläche des Kühl-Gefrierschranks und die Elemente des Geräts mit einem in lauwarmem Wasser gelösten Waschmittel und wischen Sie es trocken.
- Stellen Sie die Kühl-Gefrierkombination auf eine ebene, ebene und stabile Oberfläche, in einen trockenen, belüfteten und schattigen Raum, weit entfernt von Wärmequellen wie: Backofen, Kochfeld, Zentralheizungsheizkörper, Zentralheizungsrohre, Warmwasserinstallation usw.
- Auf der Außenseite des Produkts kann sich eine Schutzfolie befinden, diese Folien sollten entfernt werden.
- Stellen Sie sicher, dass das Gerät in eine horizontale Position gebracht wird, indem Sie die 2 verstellbaren Vorderbeine einschrauben (Abb.3)
- Um sicherzustellen, dass sich die Tür frei öffnen lässt, ist der Abstand zwischen der Seite des Geräts (auf der Seite der Türschamiere) und der Wand in Abbildung 5 dargestellt.*
- Sorgen Sie für eine ausreichende Belüftung des Raumes und eine freie Luftzirkulation von allen Seiten des Geräts (Abb.6).*

Mindestabstände zu den Wärmequellen

- aus dem Elektrogas und anderen Öfen - 30 mm,
- aus Öl- oder Kohleöfen - 300 mm,
- von Einbaubacköfen - 50mm

Wenn es nicht möglich ist, die oben genannten Abstände zu gewährleisten, stellen Sie eine geeignete Dämmplatte zur Verfügung.

Warnung:

- Die Rückwand des Kühlschranks, insbesondere der Kondensator und andere Elemente des Kühlsystems dürfen nicht mit anderen Elementen in Berührung kommen, die sie beschädigen können (z. B. Zentralheizungsrohre und Wasserversorgungsleitungen).
- Es ist verboten, Teile des Geräts nachjustieren oder zu modifizieren. Entscheidend ist, dass das in der Kompressor mulde sichtbare Kapillarrohr nicht beschädigt wird. Der Schlauch darf nicht gebogen, begradigt oder gewickelt werden.
- Wenn das Kapillarrohr durch den Benutzer beschädigt wird, erlischt die Garantie (Abb. 8).
- Bei einigen Modellen wird der Griff in das Gerät gesteckt, Sie sollten ihn mit Ihrem eigenen Schraubendreher verschrauben,

Netzanschluss

- Es wird empfohlen, den Temperaturregler vor dem Anschließen auf "OFF" oder eine andere Position zu stellen, die das Gerät von der Stromversorgung trennt (siehe Seite mit der Beschreibung der Steuerung).
- Dieses Gerät sollte an eine Wechselstromsteckdose mit 220-240 V und 50 Hz angeschlossen werden. Die Steckdose muss ordnungsgemäß montiert sein und mit einem Schutzrohr und einer 10A-Sicherung geliefert werden.

- Es ist gesetzlich vorgeschrieben, dass das Gerät ordnungsgemäß geerdet ist. Der Hersteller haftet nicht für Schäden oder Verletzungen, die sich aus der Nichterfüllung dieser Anforderung ergeben können.
- Verwenden Sie keine Adapter, Mehrfachsteckdosen und zweiadrige Verlängerungskabel. Wenn das Verlängerungskabel verwendet werden muss, muss es mit einem Schutzring und einer Einzelbuchse ausgestattet sein und über ein VDE/GS-Sicherheitszertifikat verfügen.
- Wenn ein Verlängerungskabel (mit Schutzring und Sicherheitszertifikat) verwendet wird, muss sich seine Steckdose in sicherer Entfernung von den Waschbecken befinden und darf sich nicht an einem Ort befinden, an dem es durch Wasser oder Abwasser überflutet werden könnte.
- Detaillierte Spezifikationen entnehmen Sie bitte dem Typenschild am unteren Teil der Innenwand des Gerätes **.

Trennen des Stromnetzes

Stellen Sie sicher, dass das Gerät leicht vom Stromnetz getrennt werden kann, indem Sie entweder den Stecker aus der Steckdose ziehen oder den zweipoligen Schalter ausschalten (Abb. 9).

Klimabereich

Die Informationen über den Klimabereich des Gerätes finden Sie auf dem Typenschild. Sie gibt an, bei welcher Umgebungstemperatur (d. h. Raumtemperatur, in der das Gerät arbeitet) der Betrieb des Gerätes optimal (richtig) ist.

Klimaklasse		Zulässige Umgebungstemperatur
SN	Erweiterte Temperate	Dieses Kühlgerät ist für den Einsatz bei einer Umgebungstemperatur zwischen 10 °C und 32 °C vorgesehen
N	Gemäßigt	Dieses Kühlgerät ist für den Einsatz bei einer Umgebungstemperatur zwischen 16 °C und 32 °C vorgesehen
ST	Subtropical	Dieses Kühlgerät ist für den Einsatz bei einer Umgebungstemperatur zwischen 16 °C und 38 °C vorgesehen
T	Tropisch	Dieses Kühlgerät ist für den Einsatz bei einer Umgebungstemperatur zwischen 16 °C und 43 °C vorgesehen

* Nur freistehende Geräte

** Je nach Modell

AUSPACKEN



Während des Transports wurde eine Schutzverpackung verwendet, um das Gerät vor Beschädigungen zu schützen. Bitte entsorgen Sie nach dem Auspacken alle Verpackungselemente so, dass die Umwelt nicht geschädigt wird.

Alle Materialien, die für die Verpackung des Geräts verwendet werden, sind umweltfreundlich. Sie sind zu 100% recycelbar und mit dem entsprechenden Symbol gekennzeichnet.

Wichtig! Verpackungsmaterialien (Tüten, Polyethylen, Styropor usw.) sollten beim Auspacken von Kindern ferngehalten werden.

ENTSORGUNG VON ALTGERÄTEN



In Übereinstimmung mit der europäischen Richtlinie 2012/19/EU und der lokalen Gesetzgebung für Elektro- und Elektronik-Altgeräte ist dieses Gerät mit dem Symbol des durchgestrichenen Abfallbehälters gekennzeichnet. Diese Kennzeichnung weist darauf hin, dass das Gerät nach Gebrauch nicht zusammen mit dem anderen Hausmüll entsorgt werden darf.

Der Benutzer ist verpflichtet, diese an eine Abfallsammelstelle abzugeben, die gebrauchte Elektro- und Elektronikgeräte sammelt. Die Sammler, einschließlich lokaler Sammelstellen, Geschäfte und lokaler Behörden, bieten Recyclingsysteme an.

Der sachgemäße Umgang mit gebrauchten Elektro- und Elektronikgeräten trägt dazu bei, Umwelt- und Gesundheitsgefahren zu vermeiden, die durch das Vorhandensein gefährlicher Komponenten und die unsachgemäße Lagerung und Verarbeitung solcher Güter entstehen.

STEUERUNGEN



1. Beim ersten Einschalten des Geräts arbeitet dieses Gerät immer mit den folgenden Einstellungen: 5 °C für den Kühlschrank, 0 °C für My Zone und -18 °C für den Gefrierschrank. Wenn Sie die Temperatur oder Funktionen manuell anpassen möchten, drücken Sie die Taste, um die Vorgänge auszuführen. Temperaturbereiche der Anpassungszone von -3 °C bis 3 °C.
2. Einstellung der Kühlschranktemperatur – Drücken Sie die Taste ④ auf der linken Seite des Bedienfelds, um verschiedene Temperaturen von 2°C bis 8°C einzustellen.
3. Einstellung der Gefriertemperatur – drücken Sie die Taste ⑤ auf der rechten Seite des Bedienfelds, um verschiedene Temperaturen von -15°C bis -25°C einzustellen.
4. Funktion „My Zone“-Schubladeneinstellung: Diese Taste ① steuert die Temperatur. Durch Drücken dieser Taste wechselt die Ziffer von -3° auf +3°. Diese Funktion kann ein-/ausgeschaltet werden durch kontinuierliches Drücken für drei Sekunden.
5. Schnellkühlfunktion – Drücken Sie die Taste ②, das Licht der Taste leuchtet auf und die Schnellkühlfunktion wird eingeschaltet, der Kühlschrank beginnt automatisch bei der Temperatureinstellung 2°C zu arbeiten und stoppt nach 24 Stunden, das Licht des Symbols erlischt.
6. Urlaubsfunktion – Drücken Sie die Taste ③, das Licht der Taste leuchtet, die Urlaubsfunktion ist eingeschaltet und das gesamte Gerät beginnt automatisch mit den Einstellungen zu arbeiten: Kühlschrank bei 17 °C und Gefrierschrank bei -18 °C.
7. Eco-Funktion – Drücken Sie die Taste ⑥ auf dem Bedienfeld, die Eco-Funktion wird aktiviert und die Taste leuchtet, das Kühlfach arbeitet bei einer Einstellung von 5 °C und das Gefrierfach arbeitet bei einer Einstellung von -18 °C. Die Anpassungszone funktioniert bei einer Einstellung von 3 °C.
8. Schnellgefrierfunktion – Drücken Sie die Taste ⑦, das Licht der Taste leuchtet auf und der Gefrierschrank beginnt mit der Schnellgefrierfunktion, Temperatureinstellung -25°C. Nach 24 Stunden wird die Schnellgefrierfunktion automatisch beendet.
9. Drücken Sie die Taste ⑧ 3 Sekunden lang, um Ihr Gerät auszuschalten. Die Taste leuchtet auf und die Stromversorgung ist unterbrochen. Interne Lampen erlöschen, Kompressor funktioniert nicht mehr. Drücken Sie die Taste ⑧ für 3 Sekunden, um Ihr Gerät einzuschalten, das Symbol leuchtet und die Stromversorgung ist wieder hergestellt.

Zusätzliche Informationen zur Temperatur

- Die Temperatur im Inneren des Geräts wird von vielen Faktoren beeinflusst. Wie Sie den Temperaturregler einstellen, hängt von der Umgebungstemperatur, der Sonneneinstrahlung, der Häufigkeit des Öffnens der Tür und der Menge der gelagerten Lebensmittel ab. Die mittlere Einstellung des Einstellrads ist in den meisten Fällen am optimalsten.
- Geben Sie keine Lebensmittel in den Kühlschrank mit Gefrierfach, bevor diese ihre Betriebstemperatur erreicht haben. Dies dauert mindestens 4 Stunden.
- Ändern Sie die Temperatureinstellungen nicht aufgrund des Wechsels der Jahreszeiten. Der Anstieg der Umgebungstemperatur wird vom Sensor erfasst und der Kompressor automatisch für längere Zeit eingeschaltet, um die eingestellte Temperatur in den Kammern aufrechtzuerhalten.
- Die leichten Temperaturschwankungen sind völlig normal und können beispielsweise bei der Lagerung großer Mengen frischer Produkte im Kühlschrank oder bei längerem Öffnen der Tür auftreten. Der Zustand der gelagerten Lebensmittel wird dadurch nicht beeinträchtigt, und die Temperatur kehrt schnell auf den eingestellten Wert zurück.

Fehlercode

Dieses Gerät verfügt über die Funktion „Fehleranzeige und Alarm“. Sobald die Sensoren fehlerhaft sind, werden auf der Temperaturanzeige Alarme angezeigt. Das Gerät kühlt immer noch, es sollte jedoch ein professioneller Servicetechniker gerufen werden, der das Gerät überprüft.

F2 – Sensor der Anpassungszone

F3 – Sensor des Kühlraums

F4 – Sensor des Gefrierfachs

F5 – Abtausensor

2E – Fehler des Lüfters/Motors im Gefrierschrank

CE – Kommunikationsfehler zwischen Hauptpanel und Anzeigepanel. Die oben

genannten Fehler werden nur auf dem Display angezeigt, keine Sprachausgabe


Übertemperaturalarm im Gefrierschrank: Nachdem die Gefriertemperatur die eingestellte Temperatur erreicht hat und die Temperatur danach auf >-1 °C ansteigt, wird der Alarm ausgelöst, begleitet vom Blinken der Gefriertemperaturziffer. Drücken Sie eine beliebige Taste, um den Sprachalarm abzubrechen. Der Blitz bleibt bestehen, bis die Temperatur <-1 °C beträgt.

PS: Die Hauptplatine befindet sich im Kompressorfach

BEDIENUNG UND FUNKTIONEN

Aufbewahrung von Lebensmitteln in der Kühl-Gefrierkombination


- Die Produkte sollten auf Tellern, in Behältern oder in Lebensmittelfolie verpackt werden. Verteilen Sie sie gleichmäßig auf den Regalen.
- Wenn die Lebensmittel mit der Rückwand in Berührung kommen, kann es zu Zuckerguss oder Benetzung der Produkte kommen.
- Stellen Sie kein Geschirr mit warmen Speisen in den Kühlschrank
- Produkte, die leicht Aromen aufnehmen, wie Butter, Milch, Weißkäse und Produkte mit intensivem Geschmack, wie Fisch, geräuchertes Fleisch, Hartkäse, müssen in Regale gestellt, in Lebensmittelverpackung verpackt oder in dicht verschlossenen Behältern aufbewahrt werden.
- Die Lagerung von Gemüse, das erhebliche Mengen Wasser enthält, führt zur Ablagerung von Kondenswasser auf den Gemüsebehältern und beeinträchtigt nicht das ordnungsgemäße Funktionieren des Kühlschranks.
- Bevor Sie das Gemüse in den Kühlschrank stellen, trocknen Sie es gut ab.
- Übermäßige Feuchtigkeit verkürzt die Haltbarkeit von Gemüse, insbesondere von Blattgemüse.
- Waschen Sie das Gemüse nicht, bevor Sie es im Kühlschrank aufbewahren. Durch das Waschen wird der natürliche Schutz entfernt, daher ist es besser, das Gemüse direkt vor dem Verzehr zu waschen.
- Es wird empfohlen, die Produkte bis zur natürlichen Beladungskapazität in die Gefrierschubladen 1, 2, 3* zu legen (Abb. 11a / 11b).**

1. Verpackte Produkte
2. Regal
3. Natürliche Belastbarkeit
4. 

- Das Stapeln von Produkten in den Gefrierregalen ist akzeptabel.*
- Es ist zulässig, Produkte um 20-30 mm außerhalb der natürlichen Belastbarkeit zu platzieren.**
- Um die Ladekapazität der Gefrierkammer zu erhöhen und das Stapeln von Produkten auf den Drahtböden des Gefrierverdampfers bis zur maximalen Höhe zu ermöglichen, ist es möglich, die Schubladen 1 und 2 zu entfernen.*

Einfrieren von Lebensmitteln **


- Praktisch alle Lebensmittel, mit Ausnahme von roh verzehrtem Gemüse, wie z. B. Salat, können eingefroren werden.
- Only food products of the highest quality, divided into small portions for single use, should be frozen.
- Products should be packed in materials that are odourless, resistant to air and moisture penetration, and not susceptible to fat. Plastic bags, polyethylene and aluminium sheets are the best wrapping materials.
- The packaging should be tight and should stick to the frozen products. Do not use glass containers.
- Halten Sie frische und warme Lebensmittel bei Raumtemperatur fern von den Produkten, die bereits eingefroren sind.
- Wir empfehlen Ihnen, nicht mehr frische Lebensmittel pro Tag in den Gefrierschrank zu stellen (siehe Tabelle mit technischen Spezifikationen).
- Um eine optimale Qualität der Tiefkühlkost zu erhalten, ordnen Sie die Lebensmittel, die sich in der Mitte des Gefrierschranks befinden, so an, dass sie die noch nicht gefrorenen Produkte nicht berühren.
- Es wird empfohlen, die bereits gefrorenen Produkte zur Seite zu schieben und die frischen Produkte, die eingefroren werden sollen, auf der gegenüberliegenden Seite so nah wie möglich an den Rück- und Seitenwänden zu platzieren.

- Verwenden Sie zum Einfrieren von Produkten den markierten Raum .
- Denken Sie daran, dass die Temperatur im Gefrierschrank von mehreren Faktoren beeinflusst wird, darunter die Umgebungstemperatur und die Menge der Lebensmittel in der Kammer, die Häufigkeit des Öffnens der Tür, die Menge an Frost im Gefrierschrank und die Thermostateinstellung.
- Wenn Sie die Gefrierschranktür nicht sofort nach dem Schließen öffnen können, warten Sie 1-2 Minuten, bis der Unterdruck ausgeglichen ist, und versuchen Sie erneut, die Tür zu öffnen.

Die Lagerzeit für Tiefkühlprodukte hängt von ihrer Qualität vor dem Einfrieren im frischen Zustand und von der Lagertemperatur ab. Die folgenden Lagerungsfristen werden empfohlen, wenn die Temperatur von -18 °C oder niedriger gehalten wird:

Produkte	Monate
Rindfleisch	6-8
Kalbfleisch	3-6
Innereien	1-2
Schweinefleisch	3-6
Geflügel	6-8
Eier	3-6
Fisch	3-6
Gemüse	10-12
Obst	10-12

Lagern Sie gefrorene Lebensmittel nicht in einer Schnellkühlkammer. In dieser Kammer können Eiswürfel zubereitet und aufbewahrt werden.

Anmerkung: Wenn das Gerät kein Gefrierfach () hat, ist es nicht zum Einfrieren von Lebensmitteln geeignet.

* Anwendbar für Geräte mit einem Gefrierfach an der Unterseite des Geräts.

** Anwendbar für Geräte mit Gefrierfach .

*** Gilt nicht für Geräte mit einem gekennzeichneten Gefrierfach .

DEN KÜHLSCHRANK EFFIZIENT NUTZEN

Praktische Tipps für den Alltag

- Stellen Sie Kühl- oder Gefrierschränke nicht in der Nähe von Heizkörpern, Heizungen, Öfen oder direktem Sonnenlicht aus.
- Stellen Sie sicher, dass die Lüftungsschlitze nicht abgedeckt sind, und entfernen Sie ein- bis zweimal im Jahr den Staub.
- Wählen Sie die richtige Temperatur: 6 bis 8 °C im Kühlschrank und -18 °C im Gefrierschrank sind ausreichend.
- Wenn Sie im Urlaub sind, erhöhen Sie die Temperatur in Ihrem Kühlschrank.
- Öffnen Sie Ihren Kühl- oder Gefrierschrank nur, wenn es nötig ist. Es ist hilfreich, wenn Sie wissen, welche Lebensmittel jedes enthält und wo es sich befindet. Legen Sie Lebensmittel so schnell wie möglich nach Gebrauch wieder in den Kühl- oder Gefrierschrank, damit sie sich nicht zu stark erwärmen.
- Wischen Sie das Innere Ihres Kühlschranks regelmäßig mit einem in einem milden Reinigungsmittel getränkten Tuch ab. Geräte, die nicht selbstabtauend sind, müssen regelmäßig abgetaut werden. Lassen Sie keine Frostschichten mit einer Dicke von mehr als 10 mm entstehen.
- Halten Sie die Dichtung um die Tür sauber, da sie sonst nicht richtig schließt. Ersetzen Sie defekte Dichtungen immer.

Die Sterne verstehen



Die Temperatur beträgt mindestens -6°C; Ausreichend, um Tiefkühlkost etwa eine Woche lang aufzubewahren. Schubladen oder Fächer, die mit einem Stern gekennzeichnet sind, waren früher ein Merkmal von (meistens) billigeren Kühlschränken.



Lebensmittel können bei -12°C oder darunter 1-2 Wochen gelagert werden, ohne ihren Geschmack zu verlieren. Nicht zum Einfrieren von Lebensmitteln geeignet.



Diese Einstufung wird hauptsächlich verwendet, um Lebensmittel bei -18 °C oder darunter zu lagern. Kann auch zum Einfrieren von bis zu 1 Kilogramm frischer Lebensmittel verwendet werden.



Dieses Gerät eignet sich für die Lagerung von Lebensmitteln bei -18 °C oder darunter und das Einfrieren größerer Mengen frischer Lebensmittel.

Praktische Tipps

Durch die natürliche Zirkulation der Luft im Gerät gibt es unterschiedliche Temperaturzonen im Kühlraum.

- Der kälteste Bereich befindet sich direkt über den Gemüseschubladen. Verwenden Sie diesen Bereich für alle empfindlichen und leicht verderblichen Lebensmittel, z.:
 - Fisch, Fleisch, Geflügel
 - Wurstwaren, Fertiggerichte
 - Geschirr oder Backwaren, die Eier oder Sahne enthalten
 - Frischer Teig, Kuchenmischungen
 - Vorverpackte Gemüse- und andere frische Lebensmittel mit einem Etikett sollten bei einer Temperatur von ca. 4°C aufbewahrt werden.
- Der wärmste Bereich befindet sich im oberen Bereich der Tür. Verwenden Sie dies zum Aufbewahren von Butter und Käse.

Lebensmittel, die nicht im Kühlschrank aufbewahrt werden sollten

- Nicht alle Lebensmittel eignen sich für die Aufbewahrung im Kühlschrank, insbesondere:
 - Kälteempfindliches Obst und Gemüse wie Bananen, Avocado, Papaya, Passionsfrucht, Auberginen, Paprika, Tomaten und Gurken.
 - Früchte, die noch nicht reif sind
 - Kartoffeln

Warnung:

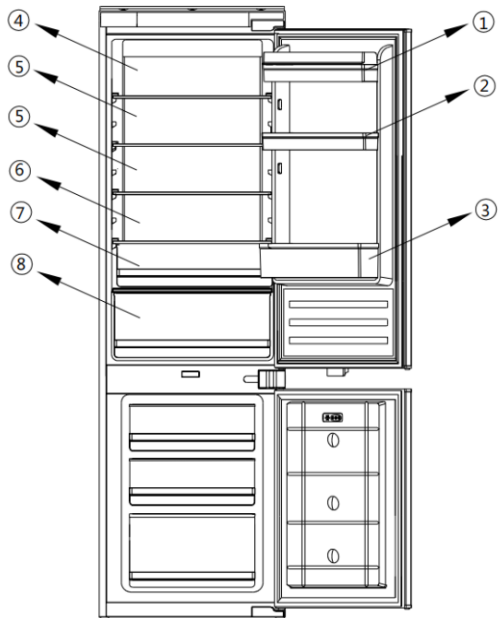
Beispiel für die Lagerung der Lebensmittel – siehe unten

Um eine möglichst effektive Lebensmittelkonservierung über einen möglichst langen Zeitraum zu erreichen und Lebensmittelverschwendung zu vermeiden, positionieren Sie die Produkte wie in Abbildung 12 dargestellt. Darüber hinaus veranschaulicht diese Abbildung die Anordnung von Schubladen, Körben und Regalen, die eine möglichst effiziente Nutzung ermöglicht Energie.

Optimale Temperatur- und Lagerbedingungen verlängern die Haltbarkeit der Produkte und optimieren den Stromverbrauch. Auf der Lebensmittelverpackung sollte der optimale Lagertemperaturbereich angegeben werden.

Der Kühlbereich dient der kurzfristigen Lagerung von Lebensmitteln. Obwohl niedrige Temperaturen aufrechterhalten werden können, wird eine längere Lagerung von Lebensmitteln nicht empfohlen. Da die kalte Luft im Kühlschrank zirkuliert, kann die Temperatur zwischen den verschiedenen Bereichen variieren. Daher sollten Lebensmittel je nach Art in unterschiedlichen Bereichen gelagert werden.

1. Butter, Käse usw.
2. Essen in Gläsern und Flaschen
3. Getränke, z.B. Milch
4. Gekochtes Essen
5. Joghurt, Konfitüren usw.
6. 75cl-Flaschen oder Fertiggerichte etc.
7. Obst und Gemüse
8. Frisches Fleisch und Fisch/Obst und Gemüse



Die Kühlschrankregale können je nach Lagerbedarf innerhalb des Kühlbereichs verschoben werden. Um die Ablage zu verschieben, heben Sie den hinteren Teil an und ziehen ihn dann nach außen. Die energiesparendste Konfiguration erfordert die Positionierung von Schubladen, Lebensmittelbox und Regalen im Produkt, siehe Bilder oben.

AUFTAUEN, WASCHEN UND PFLEGEN

Reinigen Sie das Gehäuse oder Kunststoffteile des Produkts niemals mit Lösungsmitteln oder starken, scheuernden Reinigungsmitteln (z. B. Waschpulver oder Cremes)! Verwenden Sie nur milde Flüssigwaschmittel und weiche Tücher. Verwenden Sie keine Schwämme.

Kühlschrank abtauen ***

- Frost setzt sich an der Rückwand der Kühlkammer ab. Es wird automatisch entfernt. Während des Abtauens kann das verunreinigungshaltige Kondensat die Öffnung im Durchgang verstopfen. Sollte dies der Fall sein, reinigen Sie die Öffnung vorsichtig mit dem Reinigungstopfen (Abb.13).
- Das Gerät arbeitet in Zyklen: Es kühlt (dann setzt sich der Frost an der Rückwand ab) und taut ab (Wasser fließt an der Rückwand herunter)
- Trennen Sie das Gerät vor der Reinigung vom Stromnetz, indem Sie den Stecker aus der Steckdose ziehen oder die Sicherung ausschalten. Verhindern Sie, dass Wasser in das Bedienfeld oder die Leuchte eindringt.
- Verwenden Sie keine Auftauaerosole. Sie können ein explosionsfähiges Gemisch verursachen oder Lösungsmittel enthalten, die die Kunststoffteile des Gerätes beschädigen und sogar gesundheitsschädlich sein können.
- Achten Sie darauf, dass das zur Reinigung verwendete Wasser nicht durch die Auslassöffnung in den Verdunstungsbehälter fließt.
- Das gesamte Gerät, mit Ausnahme der Türdichtung, muss mit einem milden Reinigungsmittel gereinigt werden. Die Türdichtung sollte mit Wasser gereinigt und trocken gewischt werden.
- Waschen Sie sämtliches Zubehör (Gemüsebehälter, Türablagen, Glasböden usw.).

Tauen Sie die Gefrierkammer wie folgt ab:**

- Schalten Sie das Gerät über das Bedienfeld ein und ziehen Sie den Stecker aus der Steckdose.
- Öffnen Sie die Tür und nehmen Sie die Lebensmittel aus dem Gefrierschrank.
- Ziehen Sie je nach Modell den Ablaufschlauch heraus, der sich am Boden des Gefrierfachs befindet, und stellen Sie ein geeignetes Gefäß darunter.
- Lassen Sie die Tür offen, dies beschleunigt den Abtauvorgang. Zusätzlich kann ein Topf mit heißem Wasser (nicht kochend) in das Gefrierfach gestellt werden.
- Waschen Sie das Innere des Gefrierschranks und wischen Sie es trocken.
- Schalten Sie das Gerät gemäß dem entsprechenden Punkt in der Bedienungsanleitung ein.

Automatisches Abtauen des Kühlschranks ****

Die Kühlkammer wurde mit einer automatischen Abtaufunktion ausgestattet. Trotzdem kann sich Frost an der Rückwand des Kühlraums absetzen. Dies geschieht normalerweise, wenn große Mengen frischer Lebensmittel im Kühlschrank gelagert werden.

Automatisches Abtauen des Gefrierschranks ****

Die Gefrierkammer ist mit einer automatischen Abtaufunktion (No-Frost) ausgestattet. In der gekühlten Umluft werden die Lebensmittel eingefroren und die Feuchtigkeit aus der Gefrierkammer nach außen abgeführt. Dadurch entstehen im Gefrierschrank kein Eis und kein Frost und die Produkte frieren nicht aneinander an.

Kühl- und Gefrierkammer manuell waschen ****

Es wird empfohlen, die Kühl- und Gefrierkammern mindestens einmal im Jahr zu waschen. Dies verhindert die Bildung von Bakterien und schlechten Gerüchen. Schalten Sie das Gerät mit der Taste (1) aus, nehmen Sie die Lebensmittel aus den Kammern und waschen Sie sie mit Wasser und einem milden Reinigungsmittel. Wischen Sie dann die Kammern mit einem Tuch trocken.

Herausnehmen und in die Regale stellen *****

Schieben Sie das Regal heraus und schieben Sie es dann so weit wie möglich hinein, damit die Klemme in die Führungsnut passt (Abb. 15).

Herausnehmen und Einsetzen der Türablage *****

Heben Sie die Türablage an, nehmen Sie sie heraus und bringen Sie sie von oben wieder in die gewünschte Position (Abb. 16).

WARNUNG! Sie dürfen auf keinen Fall eine elektrische Heizung, ein Heizgebläse oder einen Haartrockner in den Gefrierschrank stellen.

** Anwendbar für Geräte mit Gefrierfach
Gilt nicht für Geräte mit einem frostfreien System.

*** Anwendbar für Geräte mit Kühlfach
Gilt nicht für Geräte mit einem frostfreien System.

**** Anwendbar für Geräte mit einem frostfreien System.

***** Gilt nicht für Gefrierschränke

FEHLERBEHEBUNG

Probleme	Mögliche Ursachen	Heilmittel
Das Gerät funktioniert nicht	Der Stromkreis ist unterbrochen	<ul style="list-style-type: none"> - Prüfen Sie, ob der Stecker richtig in die Steckdose eingesteckt ist - Überprüfen Sie, ob das Netzkabel des Geräts nicht beschädigt ist - Überprüfen Sie, ob Spannung in der Steckdose anliegt, indem Sie ein anderes Gerät, z. B. eine Nachtlampe, anschließen - Prüfen Sie, ob das Gerät eingeschaltet ist, indem Sie den Thermostat auf eine Position über 0 stellen.
Die Beleuchtung in der Kammer funktioniert nicht	Die Glühbirne ist lose oder verschmolzen (nur Geräte mit Glühbirnenbeleuchtung)	- Setzen Sie die Glühbirne richtig ein oder ersetzen Sie sie (siehe Abschnitt oben "Austausch der Innenbeleuchtungsbirne)
Das Gerät arbeitet ununterbrochen	<p>Falsches Einstellen des Einstellknopfes</p> <p>Siehe. "Die Temperatur im Inneren des Geräts ist nicht niedrig genug, um andere mögliche Ursachen zu beschreiben</p>	<p>- Setzen Sie den Knopf in eine niedrigere Position zurück</p> <p>Siehe. "Die Temperatur im Inneren des Geräts ist nicht niedrig genug, um andere mögliche Abhilfemaßnahmen zu beschreiben</p>
Wasser sammelt sich im unteren Teil des Geräts	Die Wasseraustrittsöffnung ist verstopft (je nach Modell)	- Reinigen Sie die Auslauföffnung (siehe Bedienungsanleitung – Kapitel "Kühlschrank abtauen")
	Interne Luftzirkulation behindert	- Stellen Sie die Lebensmittel und Behälter so auf, dass sie die Rückwand des Kühlschranks nicht berühren
Das Gerät erzeugt ungewöhnliche Geräusche	<p>Falsche Nivellierung des Gerätes</p> <p>Das Gerät berührt Möbel und/oder andere Gegenstände</p>	<p>- Nivellieren Sie das Gerät richtig</p> <p>- Stellen Sie das Gerät an einem Ort auf, an dem ein ausreichender Abstand gewährleistet ist</p>

Probleme	Mögliche Ursachen	Heilmittel
Die Temperatur im Inneren des Geräts ist nicht niedrig genug oder zu hoch	Falsche Einstellung des Einstellknopfes	- Setzen Sie den Knopf auf eine höhere Position zurück
	Die Umgebungstemperatur ist höher oder niedriger als der Klimabereich aus Tabelle mit technischen Spezifikationen	- Das Gerät ist für den Betrieb im Klimabereich von der Tabelle mit technischen Spezifikationen angepasst.
	Das Gerät befindet sich an einem sonnenbeschienenen Ort oder in der Nähe von Wärmequellen	- Stellen Sie das Gerät an einen anderen Ort. Beachten Sie die in der Bedienungsanleitung enthaltenen Richtlinien
	Zu viel warmes Essen auf einmal geladen	- Warten Sie 72 Stunden, bis die Lebensmittel abgekühlt sind (gefrieren) und die gewünschte Temperatur in der Kammer erreicht ist - Stellen Sie die Lebensmittel und Behälter so auf, dass sie die Rückwand des Kühlschranks nicht berühren
	Interne Luftzirkulation behindert	- Stellen Sie das Gerät min. 30 mm von der Wand entfernt auf
	Die Luftzirkulation an der Rückseite des Gerätes wird behindert	- reduzieren sie die häufigkeit des öffnens der tür und/oder verkürzen sie die zeit, in der die tür geöffnet bleibt
	Die Tür des Kühl-/Gefrierschranks wird zu oft geöffnet und/oder bleibt zu lange offen	- Platzieren Sie die Lebensmittel und Behälter so, dass sie die geschlossene Tür nicht beeinträchtigen
	Die Tür schließt nicht vollständig	- Prüfen Sie, ob die Umgebungstemperatur nicht niedriger als die Klimaklasse ist
	Der Kompressor wird zu selten eingeschaltet	- Drücken Sie die Dichtung ein
	Türdichtung falsch eingesetzt	

Während des normalen Gebrauchs des Kühlschranks sind bestimmte Geräusche zu hören, die den ordnungsgemäßen Betrieb nicht beeinträchtigen.

Geräusche, die sich leicht verhindern lassen:

- Geräusche, die durch das Gerät verursacht werden, das nicht waagrecht ist - stellen Sie die Position mit den verstellbaren Einlenkfüßen ein. Alternativ können Sie Pads aus weichem Material unter die hinteren Walzen legen, insbesondere wenn das Gerät auf Fliesen steht.
- Berühren Sie das benachbarte Möbelstück - stellen Sie den Kühlschrank weg.
- Knarren der Schubladen oder Regale - Schubladen- oder Regal herausnehmen und wieder einsetzen.
- Geräusche von klirrenden Flaschen - Schieben Sie Flaschen auseinander.

Geräusche, die während des normalen Gebrauchs zu hören sind, sind hauptsächlich auf den Betrieb des Thermostats, des Kompressors (Einschalten) und des Kühlsystems zurückzuführen (Wärmeausdehnung und Kontraktion des Kühlers durch den Durchfluss des Kühlmittels).

INSTALLATIONSANWEISUNG

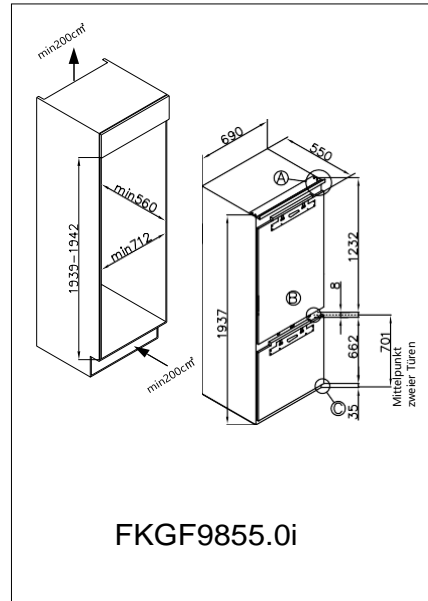
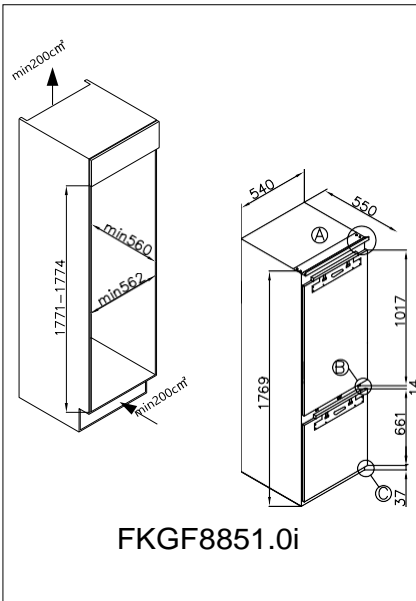
Installationsvorbereitung

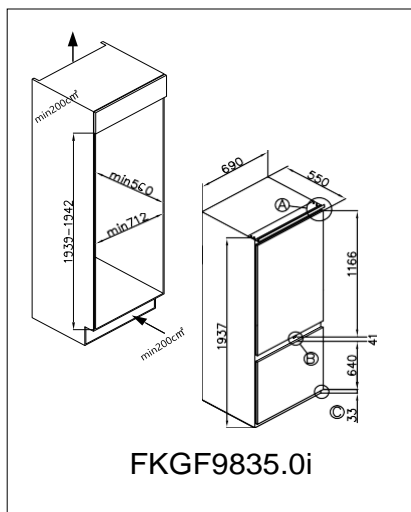
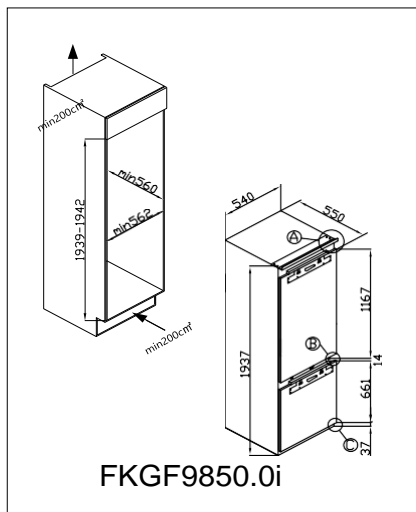
Dieses Gerät darf niemals in der Nähe von Wärmequellen installiert werden, z. Heizelemente oder Herde, noch an feuchten Orten.

Lassen Sie sich bei der Installation dieses Geräts von einer oder zwei weiteren Personen helfen. Dieses Gerät kann scharfe Kanten haben. Tragen Sie für die Aufgabe und die Umgebung geeignete PSA.

- Um sicherzustellen, dass das Gerät gerade steht, sollten Sie die höhenverstellbaren Füße an der Vorderseite des Geräts verwenden.
- Das Kühlsystem an der Geräterückseite darf die Rückwand nicht berühren. Je größer der Abstand, desto besser.
- Das Gerät muss mit ausreichender Belüftung installiert werden. Stellen Sie sicher, dass über dem Gerät ein Freiraum vorhanden ist, damit die Luft entweichen kann, und dass zwischen der Rückseite des Geräts und der Wand Platz ist.

Einbauzeichnung

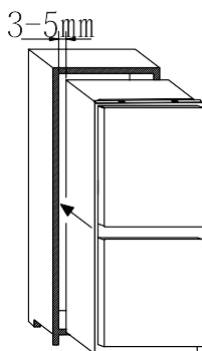




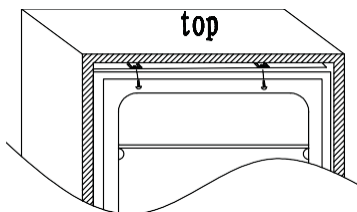
Montageanleitung (Schieband)

1) Setzen Sie das Gerät in das Holzmöbel ein, platzieren Sie es auf der gegenüberliegenden Seite der Scharniere und achten Sie auf einen

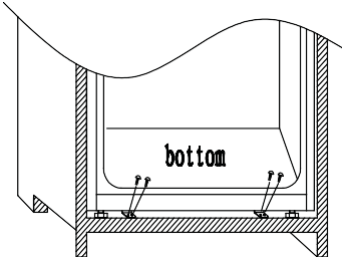
2) Nach gewährleiste Die Übereinstimmung zwischen Gerät Tür Und Spalte Tür, Dann schrauben Befestigen Sie das Geräteoberteil am Schrank.



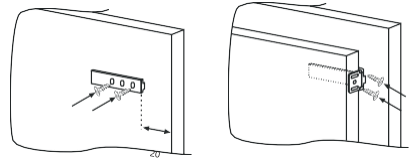
Abstand von 3-5 mm.



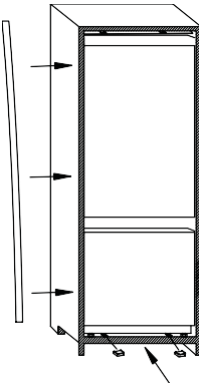
3) Schrauben Sie das Geräteunterteil fest.



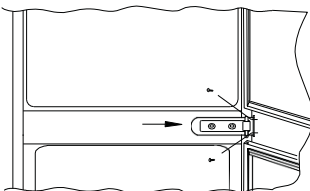
6) Befestigen Sie den Schieber und den Schiebersockel an der Holztür und der Gerätetür



4) Bringen Sie die Dichtung am Gerät an und schneiden Sie ggf. den überschüssigen Teil ab. Befestigen Sie die Unterteile mit Kunststoffabdeckungen.

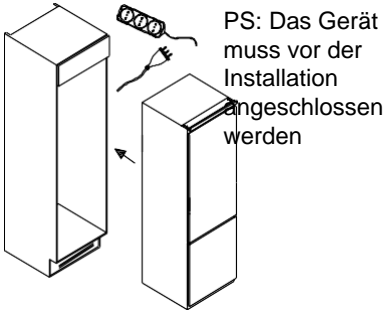


5) Lösen Sie mit einem Kreuzschraubendreher den Verbindungsstift unter dem rechten Mittelscharnier und stellen Sie ihn so ein, dass er an der rechten Schrankwand festgeschraubt wird.

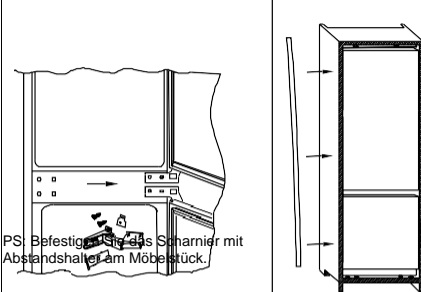


Montageanleitung (FIX-Scharnier)

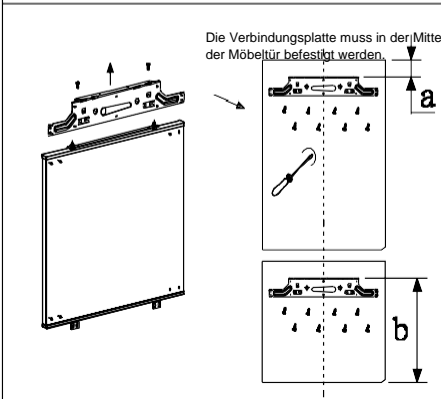
1. Schieben Sie das Gerät in das Holzmöbel. Das Gerät sollte sich besser an der linken Möbelseite befinden.



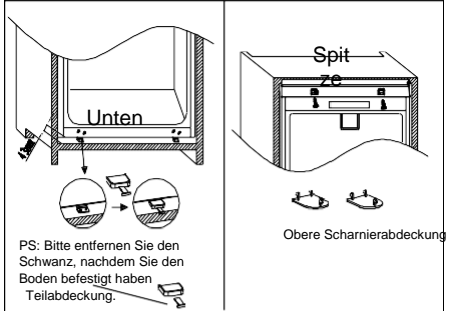
3. Befestigen Sie das Scharnier mit einer Schraube am Möbelstück und bringen Sie den Zierstreifen auf der linken Seite des Produkts an.



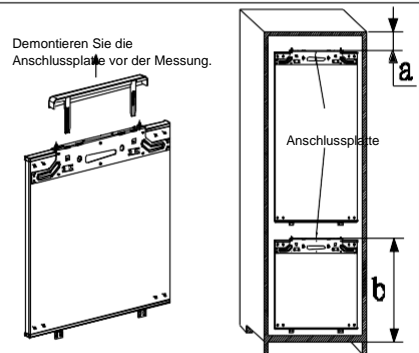
5. Befestigen Sie die Verbindungsplatte an der Möbeltür.



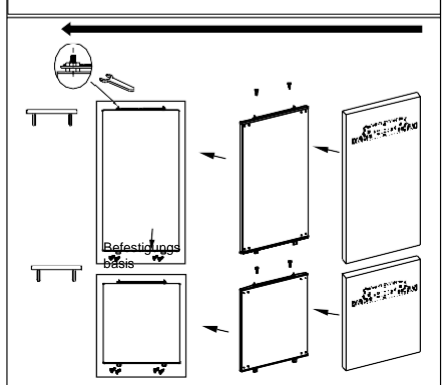
2. Position des Gerätes anpassen, Ober- und Unterteil am Möbelstück festschrauben



4. Messen Sie das Maß an a und b.



6. Befestigen Sie die Gerätetur an der Möbeltür.



FR

Table des matières

INSTRUCTIONS GENERALES CONCERNANT LA SECURITE D'UTILISATION.....	46
CONDITIONS D'INSTALLATION ET DE FONCTIONNEMENT DE L'APPAREIL.....	50
DEBALLAGE.....	52
ÉLIMINATION DE L'ÉQUIPEMENT USAGÉ.....	52
CONTRÔLE.....	53
FONCTIONNEMENT ET FONCTIONS.....	55
UTILISATION EFFICACE DU RÉFRIGÉRATEUR.....	57
DÉCONGÉLATION, LAVAGE ET ENTRETIEN.....	59
DÉPANNAGE.....	61
INSTALLATION.....	63

LIGNES DIRECTRICES SUR LA SÉCURITÉ D'UTILISATION

- L'appareil est destiné à un usage domestique uniquement.
- Le fabricant se réserve le droit d'apporter des modifications qui n'affectent pas le fonctionnement de l'appareil.
- Certaines dispositions du présent manuel d'instructions sont uniformes pour le refroidissement de produits de différents types (réfrigérateurs, réfrigérateurs, congélateurs ou congélateurs)
- Le fabricant n'est pas responsable des dommages causés par le non-respect des instructions de ce manuel.
- Conservez ce manuel pour référence ultérieure ou donnez-le à l'utilisateur suivant.
- Cet appareil n'est pas destiné à être utilisé par des personnes (y compris des enfants) ayant des capacités physiques ou mentales réduites et des personnes qui manquent d'expérience ou de familiarité avec l'appareil.
- N'autorisez pas les enfants à utiliser l'appareil. Ne les laissez pas jouer avec l'appareil. Vous n'êtes pas autorisé à monter dans les tiroirs et à vous balancer aux portes.
- L'appareil fonctionne parfaitement à température ambiante (voir fiche produit). Ne l'utilisez pas au sous-sol, chalet d'été non chauffé en automne et en hiver.
- Lors de l'installation, du déplacement et du levage de l'appareil, ne tenez pas les poignées de porte, ne tirez pas sur le condenseur à l'arrière du réfrigérateur et ne touchez pas le compresseur.
- Ne pas incliner le congélateur de plus de 40° par rapport à la position verticale lors du transport, du déplacement ou du positionnement. Si une telle situation se produit, l'appareil doit être mis en marche dans la bonne position après au moins 2 heures après le déplacement (Fig.2).
- Retirez la fiche de la prise avant tout entretien. Ne tirez pas sur le câble, mais tenez plutôt le corps La fiche électrique.
- Retirez la fiche de la prise avant tout entretien. Ne tirez pas sur le câble, mais tenez plutôt le corps de la prise électrique.
- Pour des raisons de sécurité, ne réparez pas l'appareil vous-même.

Les réparations effectuées par des personnes qui n'ont pas les qualifications nécessaires peuvent entraîner un danger grave pour l'utilisateur de l'appareil.

- Aérez la pièce où l'appareil sera placé pendant quelques minutes (la taille de la pièce pour un produit contenant de l'isobuthane/R600a doit être d'au moins 4 m³) pour éviter d'endommager le système de refroidissement.
- Ne recongelez pas les produits partiellement décongelés.
- N'entreposez pas les boissons embouteillées et en canette, en particulier les boissons gazeuses, dans le compartiment du congélateur. Les canettes et les bouteilles peuvent exploser.
- Ne mettez pas de produits congelés tirés directement du congélateur (sucettes, glaçons, etc.) dans votre bouche, car leur basse température peut causer de graves engelures.
- Assurez-vous de ne pas endommager le système de refroidissement en perforant les conduites de réfrigérant dans l'évaporateur ou en brisant les tuyaux. Le fluide frigorigène est inflammable. Si le fluide frigorigène entre en contact avec les yeux, rincez-les à l'eau claire et appelez immédiatement un médecin.
- Si le cordon d'alimentation est endommagé, il doit être remplacé par un nouveau par un professionnel.
- Cet appareil est destiné au stockage des aliments, ne l'utilisez pas à d'autres fins.
- Pour des activités telles que le nettoyage, l'entretien ou le déplacement, l'appareil doit être complètement débranché de l'alimentation (en le débranchant de la prise)
- Cet appareil peut être utilisé par des enfants âgés de 8 ans et plus ou par des personnes ayant un handicap physique, mental ou sensoriel ou par des personnes inexpérimentées ou peu familières avec l'appareil, à condition qu'elles soient supervisées ou aient été formées à l'utilisation sécuritaire de l'appareil et qu'elles connaissent les risques associés à son utilisation. Assurez-vous que les enfants ne jouent pas avec l'appareil. Le nettoyage et l'entretien de l'appareil ne doivent pas être effectués par des enfants à moins qu'ils ne soient âgés de 8 ans ou plus et qu'ils soient supervisés par une personne compétente.

Pour obtenir plus d'espace dans le congélateur, vous pouvez retirer les tiroirs et mettre la nourriture directement sur les étagères. Cela n'affecte pas les propriétés mécaniques et la capacité de refroidissement du produit. La capacité de congélation déclarée a été calculée avec les tiroirs retirés.

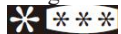
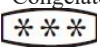



AVERTISSEMENT : Risque d'incendie / matières inflammables

- Les enfants âgés de 3 à 8 ans sont autorisés à charger et décharger les réfrigérateurs.

Pour éviter la contamination des aliments, veuillez respecter les instructions suivantes :

- L'ouverture prolongée de la porte peut entraîner une augmentation significative de la température dans les compartiments de l'appareil.
- Nettoyez régulièrement les surfaces qui peuvent entrer en contact avec les aliments et les systèmes de drainage accessibles.
- Conservez la viande et le poisson crus dans des contenants appropriés au réfrigérateur afin qu'ils n'entrent pas en contact avec d'autres aliments ou ne s'égouttent pas sur d'autres aliments.
- Les compartiments de congélation à deux étoiles conviennent au stockage des aliments congelés, au stockage ou à la fabrication de crème glacée et à la fabrication de glaçons.
- Les compartiments à une, deux et trois étoiles ne conviennent pas à la congélation d'aliments frais

	Compartiments ART	Température de stockage cible [OC]	Alimentation adéquate
1	Réfrigérateur	+2≤+8	Les œufs, les aliments cuits, les aliments emballés, les fruits et légumes, les produits laitiers, les gâteaux, les boissons et autres aliments ne conviennent pas à la congélation.
2	Congélateur 	≤-18	Fruits de mer (poissons, crevettes, crustacés), produits aquatiques d'eau douce et produits carnés (recommandés pendant 3 mois, plus le temps de stockage est long, plus le goût et la valeur nutritive sont mauvais), adaptés aux aliments frais congelés.
3	Congélateur 	≤-18	Les fruits de mer (poissons, crevettes, crustacés), les produits aquatiques d'eau douce et les produits carnés (recommandés pendant 3 mois, plus la période de stockage est longue, plus le goût et la valeur nutritive sont mauvais) ne conviennent pas aux aliments frais congelés.
4	Congélateur 	≤-12	Les fruits de mer (poissons, crevettes, crustacés), les produits aquatiques d'eau douce et les produits carnés (recommandés pendant 2 mois, plus la période de stockage est longue, plus le goût et la valeur nutritive sont mauvais) ne conviennent pas aux aliments frais congelés

5	Congélateur	≤ -6	Les fruits de mer (poissons, crevettes, crustacés), les produits aquatiques d'eau douce et les produits carnés (recommandés pendant 1 mois, plus le temps de stockage est long, plus le goût et la valeur nutritive sont mauvais) ne conviennent pas aux aliments frais congelés.
6	Compartiment 0 étoile	$-6 \leq 0$	Porc frais, bœuf, poisson, poulet, certains aliments transformés emballés, etc. (Il est recommandé de manger le même jour, de préférence pas plus de 3 jours). Aliments transformés partiellement encapsulés (aliments non congelables)
7	Froid	$2 \leq +3$	Porc, bœuf, poulet, produits aquatiques d'eau douce frais/congelés, etc. (7 jours en dessous de 0°C et au dessus de 0°C, il est préférable de consommer ces aliments sous 2 jours). Fruits de mer (moins de 0°C pendant 15 jours, il n'est pas recommandé de les conserver au-dessus de 0°C)
8	Aliments frais	$0 \leq +4$	Porc frais, bœuf, poisson, poulet, aliments cuits, etc. (Il est recommandé de manger le même jour, de préférence pas plus de 3 jours)
9	Vin	$+5 \leq +20$	Vin rouge, vin blanc, vin mousseux, etc.

- Remarque: Veuillez stocker différents aliments en fonction de la composition ou de la température de stockage de destination des produits que vous avez achetés.
- Si le réfrigérateur est vide pendant une longue période, éteignez-le, décongelez-le, nettoyez-le, séchez-le et laissez la porte ouverte pour empêcher la croissance de moisissures dans l'appareil.
- Distributeurs d'eau de nettoyage (en particulier pour les distributeurs d'eau): réservoirs d'eau propres s'ils n'ont pas été utilisés pendant 48 heures; Rincez le système d'eau raccordé à un raccordement d'eau si aucune eau n'a été prélevée pendant 5 jours.
- Conformément au règlement (UE) 2019/2019 de la Commission, la période minimale de disponibilité des pièces de rechange nécessaires à la réparation de l'équipement est de 7 ou 10 ans, selon le type et l'utilisation prévue de la pièce de rechange.
- La liste des pièces de rechange et la procédure de commande peuvent être consultées sur les sites Web du fabricant, de l'importateur ou d'un représentant autorisé.
- De plus amples informations sur le produit sont disponibles dans la base de données EPREL de l'UE sous <https://eprel.ec.europa.eu>. Pour plus d'informations, veuillez scanner le code QR sur l'étiquette énergétique avec votre appareil mobile ou saisir le modèle de produit figurant sur l'étiquette énergétique dans le moteur de recherche EPREL <https://eprel.ec.europa.eu/>

CONDITIONS D'INSTALLATION ET DE FONCTIONNEMENT DE L'APPAREIL

Cette unité de refroidissement est destinée à être utilisée comme appareil intégré.

Installation avant le premier démarrage de l'appareil

- Retirez le produit de l'emballage et retirez le ruban adhésif qui protège la porte et l'appareil. Les taches adhésives restantes peuvent être enlevées avec un détergent doux.
- Ne jetez pas les éléments en polystyrène de l'emballage. S'il est nécessaire de transporter le réfrigérateur-congélateur, emballez-le dans les éléments en polystyrène et le papier d'aluminium et protégez-le avec du ruban adhésif
- Nettoyez la surface intérieure du réfrigérateur-congélateur et les éléments de l'appareil avec un détergent dissous dans de l'eau tiède et essuyez-les.
- Placez le réfrigérateur-congélateur sur une surface plane, plane et stable, dans une pièce sèche, ventilée et ombragée, loin des sources de chaleur telles que: four, plaque de cuisson, radiateurs de chauffage central, tuyaux de chauffage central, installation d'eau chaude, etc.
- Il peut y avoir un film protecteur à l'extérieur du produit, ces films doivent être retirés.
- Assurez-vous que l'appareil est placé en position horizontale en vissant les 2 pattes avant réglables (Fig. 3)
- Pour s'assurer que la porte s'ouvre librement, la distance entre le côté de l'unité (du côté des charnières de la porte) et le mur est indiquée à la figure 5.*
- Assurer une ventilation adéquate de la pièce et la libre circulation de l'air de tous les côtés de l'appareil (Fig. 6).*

Distances minimales jusqu'aux sources de chaleur

- de cuisinières électriques et à gaz - 30 mm,
- de fours à mazout ou à charbon - 300 mm,
- de fours encastrés - 50 mm

S'il n'est pas possible de respecter les distances ci-dessus, prévoir un panneau isolant approprié.

Avertissement:

- La paroi arrière du réfrigérateur, en particulier le condenseur et les autres éléments du système de refroidissement, ne doit pas entrer en contact avec d'autres éléments susceptibles de l'endommager (par exemple, les tuyaux de chauffage central et les tuyaux d'alimentation en eau).
- Il est interdit de réajuster ou de modifier toute partie de l'appareil. Il est essentiel que le tube capillaire visible autour du compresseur ne soit pas endommagé. Le tuyau ne doit pas être plié, redressé ou enroulé.
- Si le tube capillaire est endommagé par l'utilisateur, la garantie sera annulée (Fig. 8).
- Dans certains modèles, la poignée est livrée dans l'appareil, vous devez la visser avec votre propre tournevis,

Branchement

- Avant de se connecter, il est recommandé de régler le régulateur de température sur « OFF » ou une autre position qui déconnecte l'appareil de l'alimentation (voir la page décrivant le contrôleur).
- Cet appareil doit être branché sur une prise secteur de 220-240 V et 50 Hz. La prise doit être correctement montée et installée sur un circuit d'alimentation électrique protégé par un fusible de 10 A.

- C'est une exigence légale que l'appareil soit correctement mis à la terre. Le fabricant n'est pas responsable des dommages ou blessures pouvant résulter du non-respect de cette exigence.
- N'utilisez pas d'adaptateurs, de multiprises et de rallonges à deux fils. Si la rallonge doit être utilisée, elle doit être équipée d'une bague de protection et d'une seule prise et avoir un certificat de sécurité VDE/GS.
- Si une rallonge électrique (munie d'un anneau de protection et d'un certificat de sécurité) est utilisée, sa sortie doit être à une distance sécuritaire des éviers et ne doit pas se trouver dans un endroit où elle pourrait être inondée par l'eau ou les eaux usées.
- Pour les spécifications détaillées, veuillez vous référer à la plaque signalétique sur la partie inférieure de la paroi intérieure de l'appareil **.

Déconnexion du réseau électrique

Assurez-vous que l'appareil peut être facilement déconnecté du secteur, soit en le débranchant de la prise, soit en éteignant le disjoncteur bipolaire (Fig. 9).

Zone climatique

Les informations sur la plage de climat de l'appareil se trouvent sur la plaque signalétique. Il indique à quelle température ambiante (c'est-à-dire la température ambiante à laquelle l'appareil fonctionne) le fonctionnement de l'appareil est optimal (correct).

Classe climatique		Température ambiante admissible
SN	Zone tempérée élargie	Cette unité de refroidissement est destinée à être utilisée à une température ambiante comprise entre 10 °C et 32 °C
N	Tempéré	Cette unité de refroidissement est destinée à être utilisée à une température ambiante comprise entre 16 °C et 32 °C
ST	Subtropical	Cette unité de refroidissement est destinée à être utilisée à une température ambiante comprise entre 16 °C et 38 °C
T	Tropical	Cette unité de refroidissement est destinée à être utilisée à une température ambiante comprise entre 16 °C et 43 °C

* Appareils autonomes uniquement

** Selon le modèle

DÉBALLER



Pendant le transport, un emballage de protection a été utilisé pour protéger l'appareil contre les dommages. Après le déballage, veuillez éliminer tous les éléments d'emballage de manière à ne pas nuire à l'environnement.

Tous les matériaux utilisés pour l'emballage de l'appareil sont respectueux de l'environnement. Ils sont 100% recyclables et marqués du symbole approprié. Important! Les matériaux d'emballage (sacs, polyéthylène, polystyrène, etc.) doivent être tenus à l'écart des enfants lors du déballage.

ÉLIMINATION DE L'ÉQUIPEMENT USAGÉ



Conformément à la directive européenne 2012/19/UE et à la législation locale sur les déchets d'équipements électriques et électroniques, ces équipements sont marqués du symbole du conteneur à déchets barré. Ce marquage indique que l'appareil ne doit pas être jeté avec d'autres ordures ménagères après utilisation.

L'utilisateur est tenu de les remettre à un point de collecte des déchets qui collecte les équipements électriques et électroniques usagés. Les collecteurs, y compris les points de collecte locaux, les magasins et les autorités locales, proposent des systèmes de recyclage.

Une manipulation appropriée des équipements électriques et électroniques usagés permet d'éviter les risques pour l'environnement et la santé résultant de la présence de composants dangereux et d'un stockage et d'un traitement inadéquats de ces marchandises.

CONTRÔLES



1. Lors de la première mise en marche de l'appareil, cet appareil fonctionne toujours aux réglages : 5°C pour le réfrigérateur, 0°C pour My Zone et -18°C pour le congélateur. Si vous souhaitez régler manuellement la température ou les fonctions, appuyez sur le bouton pour effectuer les opérations. Plages de température de la zone d'adaptation de -3 °C à 3 °C.
2. Réglage de la température du réfrigérateur – appuyez sur le bouton ④ sur la partie gauche du panneau de commande pour obtenir différentes températures de 2 °C à 8 °C.
3. Réglage de la température du congélateur – appuyez sur le bouton ⑤ sur la partie droite du panneau de commande pour obtenir différentes températures de -15°C à -25°C.
4. Fonction de réglage du tiroir My Zone : ce bouton ① contrôle la température. En appuyant sur ce bouton, le chiffre passera de -3° à +3°. Cette fonction peut être activée/désactivée en appuyant continuellement pendant trois secondes.
5. Fonction de refroidissement rapide – Appuyez sur le bouton ②, le voyant du bouton s'allume et la fonction de refroidissement rapide est activée, le réfrigérateur commence à fonctionner automatiquement à la température réglée à 2 °C et s'éteint après 24 heures, la lumière du symbole disparaît.
6. Fonction vacances – Appuyez sur le bouton ③, le voyant du bouton s'allume, la fonction vacances est activée et l'ensemble de l'appareil commence à fonctionner automatiquement aux réglages : réfrigérateur à 17 °C et congélateur à -18 °C.
7. Fonction Eco – Appuyez sur le bouton ⑥ du panneau de commande, la fonction éco est activée et le bouton s'allume, le compartiment réfrigérateur fonctionne au réglage de 5 °C et le compartiment congélateur fonctionne au réglage de -18 °C. La zone d'adaptation fonctionne au réglage de 3 °C.
8. Fonction de congélation rapide – Appuyez sur le bouton ⑦, le voyant du bouton s'allume et le congélateur commence à fonctionner en fonction de congélation rapide, réglage de la température -25 °C. Après 24 heures, la fonction de congélation rapide s'arrête automatiquement.
9. Appuyez sur le bouton ⑧ pendant 3 secondes pour éteindre votre appareil et le bouton s'allume, l'alimentation est coupée. Les lampes internes s'éteignent, le compresseur cesse de fonctionner. Appuyez sur le bouton ⑧ pendant 3 secondes pour allumer votre appareil, le symbole s'allume et l'alimentation est à nouveau connectée.

Informations complémentaires sur la température

- La température à l'intérieur de l'appareil est influencée par de nombreux facteurs. La façon dont vous réglez le bouton de contrôle de la température dépend de la température ambiante, de l'exposition au soleil, de la fréquence à laquelle vous ouvrez la porte et de la quantité de nourriture stockée. Le réglage central du cadran est le plus optimal dans la plupart des cas.
- Ne mettez pas d'aliments dans le réfrigérateur-congélateur avant qu'ils n'aient atteint leur température de fonctionnement, ce qui prend au minimum 4 heures.
- Ne modifiez pas les réglages de température en raison du changement de saison de l'année. L'augmentation de la température ambiante sera détectée par le capteur et le compresseur s'allumera automatiquement pendant une période plus longue afin de maintenir la température réglée à l'intérieur des chambres.
- De légers changements de température sont tout à fait normaux et peuvent survenir, par exemple, lors du stockage de grandes quantités de produits frais au réfrigérateur ou lorsque la porte est ouverte pendant une période prolongée. Cela n'affectera pas l'état des aliments stockés. , et la température reviendra rapidement à sa valeur réglée.

Code d'erreur

Cet appareil dispose de la fonction « affichage des défauts et alarme ». Une fois que les capteurs sont défectueux, des alarmes s'affichent sur l'affichage de la température, l'appareil refroidit toujours, mais un ingénieur de service professionnel doit être appelé et vérifier l'appareil.

F2 – Capteur de zone d'adaptation

F3 – Capteur du réfrigérateur de l'appareil

F4 – Capteur du compartiment congélateur

F5 – Capteur de dégivrage

2E – Défaut ventilateur/moteur dans le congélateur

CE – Défaut de communication entre le panneau principal et le panneau d'affichage. Les erreurs ci-dessus s'affichent uniquement à l'écran, pas de voix


Alarme de surchauffe dans le congélateur : une fois que la température du congélateur atteint la température réglée, après cela, si la température monte à >-1 °C, l'alarme se déclenchera, accompagnée d'un flash du chiffre de la température du congélateur. Appuyez sur n'importe quel bouton pour annuler l'alarme vocale. Le flash restera jusqu'à ce que la température soit <-1 °C.

PS : La carte principale se situe dans le compartiment du compresseur

FONCTIONNEMENT ET FONCTIONS

Conservation des aliments dans le réfrigérateur-congélateur


- Les produits doivent être emballés dans des assiettes, dans des récipients ou dans du papier d'aluminium. Étalez-les uniformément sur les étagères.
- Si l'aliment entre en contact avec la paroi arrière, les produits en contact avec le mur de froid peuvent geler et être mouillés.
- Ne mettez pas de plats avec des aliments chauds dans le réfrigérateur
- Les produits qui absorbent facilement les saveurs, tels que le beurre, le lait, le fromage blanc et les produits à saveur intense, tels que le poisson, les viandes fumées, les fromages à pâte dure, doivent être placés sur des étagères, emballés dans des emballages alimentaires ou stockés dans des récipients hermétiquement fermés.
- L'entreposage de légumes contenant des quantités importantes d'humidité entraînera le dépôt de condensation sur les contenants de légumes et n'affectera pas le bon fonctionnement du réfrigérateur.
- Avant de mettre les légumes au réfrigérateur, séchez-les bien.
- Une humidité excessive raccourcit la durée de conservation des légumes, en particulier des légumes à feuilles.
- Ne lavez pas les légumes avant de les conserver au réfrigérateur. Le lavage supprime la protection naturelle, il est donc préférable de laver les légumes juste avant de les manger.
- Il est recommandé de placer les produits dans les tiroirs du congélateur 1, 2, 3* jusqu'à la capacité de chargement naturelle (Fig. 11a / 11b).**

1. Produits emballés
2. Étagère
3. Résilience naturelle
4. 

- L'empilage des produits dans les étagères du congélateur est acceptable.*
- Il est permis de placer les produits de 20 à 30 mm en dehors de la capacité de charge naturelle.**
- Pour augmenter la capacité de chargement de la chambre de congélation et permettre aux produits d'être empilés sur les étagères métalliques de l'évaporateur congélateur à la hauteur maximale, il est possible de retirer les tiroirs 1 et 2.*

Congélation des aliments **

- Pratiquement tous les aliments, à l'exception des légumes à consommer crus, comme la laitue, peuvent être congelés.
- Seuls les produits alimentaires de la plus haute qualité, divisés en petites portions à usage unique, doivent être congelés.
- Les produits doivent être emballés dans des matériaux inodores, résistants à la pénétration de l'air et de l'humidité et non sensibles aux graisses. Les sacs en plastique, le polyéthylène et les feuilles d'aluminium sont les meilleurs matériaux d'emballage.
- L'emballage doit être serré et doit coller aux produits congelés. N'utilisez pas de contenants en verre.
- Conservez les aliments frais et chauds à température ambiante loin des produits déjà congelés.
- Nous vous recommandons de ne pas dépasser la capacité d'aliment frais à congeler par jour (voir le tableau des spécifications techniques).
- Pour obtenir une qualité optimale des aliments surgelés, disposez les aliments qui se trouvent au centre du congélateur afin qu'ils ne touchent pas les produits qui n'ont pas encore été congelés.
- Il est recommandé de pousser les produits déjà congelés sur le côté et de placer les produits frais qui doivent être congelés du côté opposé, aussi près que possible des parois arrière et latérales.

- Pour congeler les produits, utilisez le compartiment marqué. 
- Gardez à l'esprit que la température dans le congélateur est affectée par plusieurs facteurs, y compris la température ambiante et la quantité de nourriture dans le compartiment, la fréquence d'ouverture de la porte, la quantité de givre dans le congélateur et le réglage du thermostat.
- Si vous ne parvenez pas à ouvrir la porte du congélateur immédiatement après la fermeture, attendez 1 à 2 minutes que la pression négative s'égalise et essayez de rouvrir la porte.


La durée de conservation des produits congelés dépend de leur qualité avant congélation à l'état frais et de la température de stockage. Les périodes de conservation suivantes sont recommandées si la température est maintenue à -18 °C ou moins:


Produits	Mois
Bœuf	6-8
Veau	3-6
Abats	1-2
Porc	3-6
Volaille	6-8
Oeuf	3-6
Poisson	3-6
Légume	10-12
Fruit	10-12

Ne conservez pas les aliments congelés dans le compartiment de fabrique à glaçons. Les glaçons peuvent être préparés et stockés dans ce compartiment.

Remarque : Si l'appareil n'a pas de compartiment congélateur (), il ne convient pas à la congélation des aliments.

* Applicable aux appareils avec un compartiment congélateur au bas de l'appareil.

** Applicable aux appareils avec compartiment congélateur 

Ne s'applique pas aux appareils munis d'un compartiment congélateur marqué 

UTILISATION EFFICACE DU RÉFRIGÉRATEUR

Conseils pratiques pour la vie quotidienne

- Ne placez pas les réfrigérateurs ou les congélateurs près des radiateurs, des appareils de chauffage, des fours ou de la lumière directe du soleil.
- Assurez-vous que les événements ne sont pas couverts et enlevez la poussière une ou deux fois par an.
- Choisissez la bonne température : 6 à 8 °C au réfrigérateur et -18 °C au congélateur suffisent.
- Si vous êtes en vacances, augmentez la température dans votre réfrigérateur.
- N'ouvrez pas votre réfrigérateur ou votre congélateur à moins que cela ne soit nécessaire. Cela aide si vous savez quels aliments chacun contient et où il se trouve. Remettez les aliments au réfrigérateur ou au congélateur dès que possible après utilisation afin qu'ils ne chauffent pas trop.
- Essuyez régulièrement l'intérieur de votre réfrigérateur avec un chiffon imbibé d'un détergent doux. Les appareils qui ne sont pas autodégivrés doivent être dégivrés régulièrement. Ne laissez pas apparaître de couches de givre d'une épaisseur supérieure à 10 mm.
- Gardez le joint autour de la porte propre, sinon il ne fermera pas correctement. Remplacez toujours les joints défectueux.

Comprendre les étoiles



La température est d'au moins -6 °C; suffisant pour stocker les aliments congelés pendant environ une semaine. Les tiroirs ou les compartiments marqués d'un astérisque étaient autrefois une caractéristique des réfrigérateurs (pour la plupart) entrée de gamme.



Les aliments peuvent être conservés à -12 °C ou moins pendant 1-2 semaines sans perdre leur saveur. Ne convient pas à la congélation des aliments.



Cette classification est principalement utilisée pour stocker les aliments à -18 °C ou moins. Peut également être utilisé pour congeler jusqu'à 1 kilogramme d'aliments frais. Cet appareil convient à l'entreposage des aliments à -18 °C ou moins et à la congélation de plus grandes quantités d'aliments frais.



Conseils pratiques

En raison de la circulation naturelle de l'air dans l'appareil, il existe différentes zones de température dans le compartiment du réfrigérateur.

- La zone la plus froide est juste au-dessus des tiroirs à légumes. Utilisez cette section pour tous les aliments délicats et périssables, tels que :
 - Poisson, viande, volaille
 - Charcuterie, plats cuisinés
 - Vaisselle ou produits de boulangerie contenant des œufs ou de la crème
 - Pâte fraîche, mélanges à gâteaux
 - Les légumes préemballés et les autres aliments frais munis d'une étiquette doivent être conservés à une température d'environ 4 °C.

La zone la plus chaude est située dans la partie supérieure de la porte. Utilisez-le pour stocker le beurre et Fromage.

Aliments qui ne doivent pas être conservés au réfrigérateur

- Tous les aliments ne peuvent pas être conservés au réfrigérateur, en particulier :
 - Fruits et légumes sensibles au froid comme les bananes, les avocats, les papayes, les fruits de la passion, les aubergines, les poivrons, les tomates et les concombres.
 - Fruit pas encore mûr
 - Patates

Avertissement:

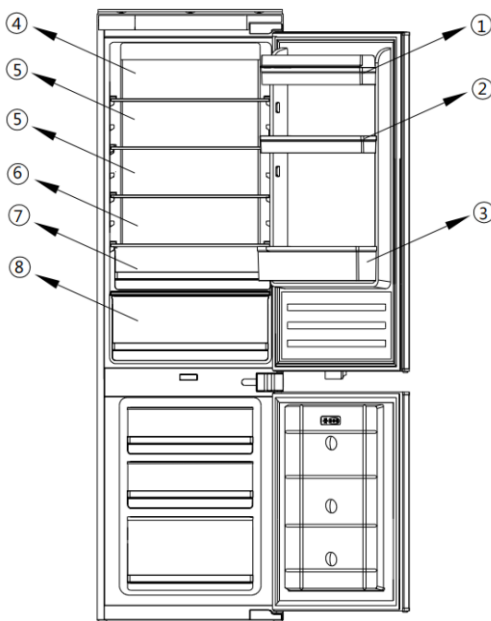
Exemple de conservation des aliments - voir ci-dessous

Pour obtenir la conservation la plus efficace des aliments pendant le plus longtemps possible et éviter de gaspiller des aliments, positionnez les produits comme indiqué sur la figure 12. De plus, cette figure illustre la disposition des tiroirs, des paniers et des étagères, ce qui permet une utilisation plus efficace des aliments. énergie.

Des conditions de température et de stockage optimales prolongeront la durée de conservation des produits et optimiseront la consommation électrique. La plage de température de stockage optimale doit être indiquée sur l'emballage du produit alimentaire.

La section réfrigérateur est destinée au stockage des aliments à court terme. Bien que des températures basses puissent être maintenues, des périodes prolongées de conservation des aliments ne sont pas recommandées. Comme l'air froid circule dans le réfrigérateur, la température peut varier entre les différentes sections. C'est pourquoi les aliments doivent être stockés dans des sections différentes selon leur type.

1. Beurre, fromages, etc.
2. Aliments en bocaux et en bouteilles
3. Boissons, par ex. lait
4. Nourriture cuisinée
5. Yaourts, conserves etc.
6. Bouteilles de 75cl ou plats cuisinés etc.
7. Fruits et légumes
8. Viande et poisson frais/fruits et légumes



Les étagères du réfrigérateur peuvent être déplacées selon les besoins de stockage dans la section réfrigérateur. Pour déplacer la tablette, soulevez la partie arrière puis tirez-la vers l'extérieur.

La configuration la plus économe en énergie nécessite que les tiroirs, la boîte alimentaire et les étagères soient positionnés dans le produit, veuillez vous référer aux images ci-dessus.

DÉCONGÉLATION, LAVAGE ET ENTRETIEN

Ne nettoyez jamais le boîtier ou les parties en plastique du produit avec des solvants ou des agents de nettoyage abrasifs puissants (p. ex. poudres à laver ou crèmes)! N'utilisez que des détergents liquides doux et des chiffons doux. N'utilisez pas d'éponges.

Dégivrer le réfrigérateur ***

- Le givre se dépose sur la paroi arrière de la chambre de refroidissement. Il sera supprimé automatiquement. Lors du dégivrage, le condensat contaminé peut obstruer la goulotte de dégivrage. Si tel est le cas, nettoyez soigneusement l'ouverture avec le bouchon de nettoyage (Fig. 13).
- L'appareil fonctionne par cycles : il refroidit (puis le givre se dépose sur le mur du fond) et dégèle (l'eau coule le long du mur du fond)
- Avant de nettoyer, débranchez l'appareil du secteur en le débranchant de la prise ou en éteignant le disjoncteur. Empêcher l'eau de pénétrer dans le panneau de commande ou le luminaire.
- N'utilisez pas d'aérosols à décongeler. Ils peuvent provoquer un mélange explosif ou contenir des solvants qui peuvent endommager les parties en plastique de l'appareil et même être nocifs pour la santé.
- Assurez-vous que l'eau utilisée pour le nettoyage ne s'écoule par la goulotte de dégivrage du mur de froid.
- L'ensemble de l'appareil, à l'exception du joint de porte, doit être nettoyé avec un détergent doux. Le joint de porte doit être nettoyé à l'eau et essuyé.
- Lavez tous les accessoires (contenants de légumes, balconnet, tablettes en verre, etc.).

Décongeler la chambre de congélation comme suit:**

- Allumez l'appareil à l'aide du panneau de commande et retirez la fiche de la prise.
- Ouvrez la porte et sortez les aliments du congélateur.
- Selon le modèle, retirez le tuyau de vidange, situé au fond du compartiment congélateur, et placez un récipient approprié en dessous.
- Laissez la porte ouverte, cela accélérera le processus de dégivrage. De plus, une casserole d'eau chaude (non bouillante) peut être placée au congélateur.
- Lavez l'intérieur du congélateur et essuyez-les.
- Allumez l'appareil en fonction de l'élément correspondant dans le manuel d'instructions.

Dégivrage automatique du réfrigérateur ****

La chambre de refroidissement a été équipée d'une fonction de dégivrage automatique. Néanmoins, le givre peut se déposer sur le mur de froid dans le réfrigérateur. Cela se produit généralement lorsque de grandes quantités d'aliments frais sont stockées dans le réfrigérateur.

Dégivrage automatique du congélateur ****

La chambre de congélation est équipée d'une fonction de dégivrage automatique (No-Frost). Dans l'air de circulation refroidi, les aliments sont congelés et l'humidité est dissipée de la chambre de congélation vers l'extérieur. Par conséquent, il n'y a pas de glace et de givre dans le congélateur et les produits ne gèlent pas les uns contre les autres.

Lavage manuel du réfrigérateur et de la chambre de congélation ****

Il est recommandé de laver les chambres de réfrigération et de congélation au moins une fois par an. Cela empêche la formation de bactéries et de mauvaises odeurs. Éteignez l'appareil avec le bouton (1), retirez les aliments des chambres et lavez-les avec de l'eau et un détergent doux. Ensuite, essuyez les chambres avec un chiffon.


Sortez-le et mettez-le sur les étagères *****

Faites glisser l'étagère vers l'extérieur, puis faites-la glisser aussi loin que possible afin que la pince s'insère dans la rainure du guide (Fig. 15).

Retrait et insertion de l'étagère de porte *****

Soulevez l'étagère de la porte, retirez-la et remettez-la dans la position souhaitée par le haut (Fig.16).

AVERTISSEMENT! En aucun cas, vous ne devez mettre un radiateur électrique, un radiateur soufflant ou un sèche-cheveux au congélateur.

- ** Applicable aux appareils avec compartiment congélateur 
Ne s'applique pas aux appareils dotés d'un système antigel.
- *** Applicable aux appareils avec compartiment réfrigérateur
Ne s'applique pas aux appareils dotés d'un système antigel.
- **** Applicable aux appareils dotés d'un système antigel.
- ***** Ne s'applique pas aux congélateurs

DÉPANNAGE

Problèmes	Causes possibles	Remède
L'appareil ne fonctionne pas	probleme d'alimentation électrique	<ul style="list-style-type: none"> - Vérifiez que la fiche est correctement insérée dans la prise - Vérifiez que le cordon d'alimentation de l'appareil n'est pas endommagé - Vérifiez s'il y a de la tension dans la prise en connectant un autre appareil, tel qu'une lampe de nuit - Vérifiez que l'appareil est allumé en réglant le thermostat sur une position supérieure à 0.
L'éclairage dans le réfrigérateur ne fonctionne pas	L'ampoule est lâche ou fusionnée (Hors d'usage les appareils avec éclairage de l'ampoule)	- Insérez l'ampoule correctement ou remplacez-la (voir section ci-dessus « Remplacement de l'ampoule d'éclairage intérieur »)
L'appareil fonctionne en continu	Réglage incorrect du bouton de réglage Voir. « La température à l'intérieur de l'appareil n'est pas assez basse pour décrire d'autres causes possibles.	- Réinitialisez le bouton à une position plus basse Voir. « La température à l'intérieur de l'appareil n'est pas assez basse pour décrire d'autres remèdes possibles
L'eau s'accumule dans la partie inférieure de l'appareil et se retrouve sous l'appareil	Le trou de sortie d'eau est bouché (selon le modèle) Entrée d'air extérieur	<ul style="list-style-type: none"> - Nettoyez l'ouverture de la goulotte de dégivrage (voir mode d'emploi –chapitre « Décongélation du réfrigérateur ») - Veiller à ce que le joint de la porte adhère sur toute la partie du cadre de l'appareil.
L'appareil produit des bruits inhabituels	Nivellement incorrect de Mise à niveau L'appareil touche des meubles et/ou d'autres objets	<ul style="list-style-type: none"> - Nivelez correctement Mettez à niveau - Placer l'appareil dans un endroit où une distance suffisante est assurée

Problèmes	Causes possibles	Remède
La température à l'intérieur de l'appareil n'est pas assez basse ou trop élevée	Réglage incorrect du bouton de réglage	- Réinitialisez le bouton à une position plus élevée
	La température ambiante est supérieure ou inférieure à la plage climatique indiquée dans le tableau des spécifications techniques	- L'appareil est adapté pour fonctionner dans la plage climatique du tableau avec les spécifications techniques.
	L'appareil est situé dans un endroit ensoleillé ou à proximité de sources de chaleur	- Déplacez l'appareil vers un autre emplacement. Respectez les directives contenues dans le manuel d'instructions
	Trop d'aliments chauds chargés à la fois	- Attendez 72 heures que les aliments refroidissent (gelent) et atteignent la température souhaitée dans la chambre - Placez les aliments et les contenants de manière à ce qu'ils ne touchent pas la paroi arrière du réfrigérateur
	Circulation interne de l'air obstruée	- Placez l'appareil à au moins 30 mm du mur
	La porte du réfrigérateur/congélateur est ouverte trop souvent et/ou laissée ouverte trop longtemps	- Réduire la fréquence d'ouverture de la porte et/ou raccourcir le temps d'ouverture de la porte
	La porte ne se ferme pas complètement	- Placez les aliments et les récipients de manière à ce qu'ils n'interfèrent pas avec la porte fermée
	Le compresseur est allumé trop rarement	- Vérifier que la température ambiante n'est pas inférieure à la classe climatique
	Joint de porte mal inséré ou sortie de son logement	- Appuyer sur le joint pour lui faire reprendre sa place.

Lors d'une utilisation normale du réfrigérateur, certains bruits sont entendus qui n'interfèrent pas avec son bon fonctionnement.

Bruits faciles à prévenir :

- Bruit causé par l'appareil qui n'est pas de niveau - ajustez la position avec les pieds de direction réglables. Alternativement, vous pouvez placer des coussinets en matériau souple sous les rouleaux arrière, surtout si l'appareil est placé sur des carreaux.
- Touchez le meuble adjacent - rangez le réfrigérateur.
- Grincement des tiroirs ou des étagères - Retirez le tiroir ou l'étagère et remettez-le en place.
- Sons de claquements de bouteilles - Écartez les bouteilles.

Le bruit entendu lors d'une utilisation normale est principalement dû au fonctionnement du thermostat, du compresseur (mise en marche) et du système de refroidissement (dilatation thermique et contraction du radiateur en raison du débit du liquide de refroidissement).

INSTRUCTIONS D'INSTALLATION

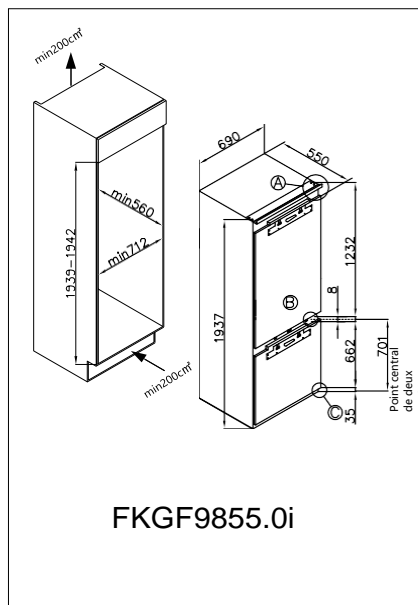
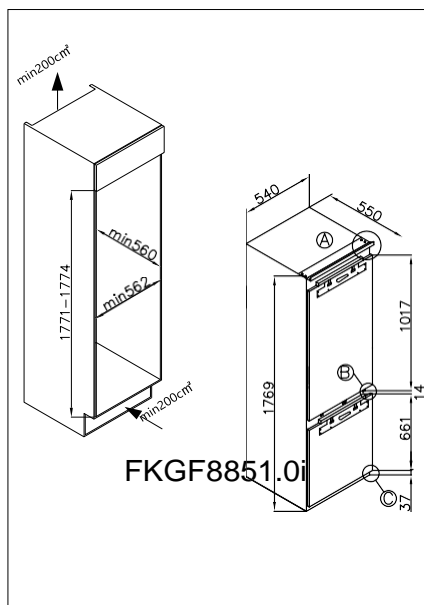
Préparation de l'installation

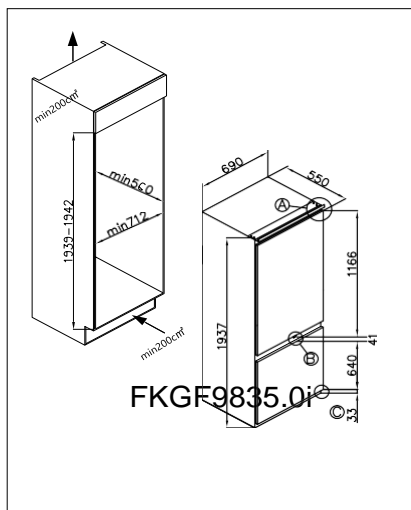
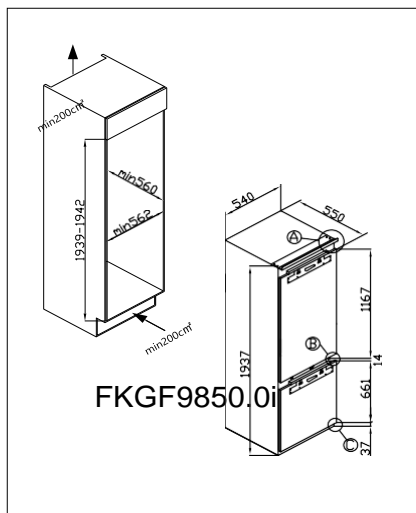
Cet appareil ne doit jamais être installé à proximité de sources de chaleur, par ex. éléments chauffants ou cuisinières, ni dans des endroits humides.

Demandez l'aide d'une ou deux autres personnes lors de l'installation de cet appareil. Cet appareil peut avoir des bords tranchants. Portez un EPI adéquat pour la tâche et l'environnement.

- Pour vous assurer que l'appareil est de niveau, vous devez utiliser les pieds réglables en hauteur à l'avant de l'appareil.
- Le système de refroidissement à l'arrière de l'appareil ne doit pas toucher la paroi arrière. Plus l'écart est grand, mieux c'est.
- L'appareil doit être installé avec une ventilation adéquate. Assurez-vous qu'il y a un espace libre au-dessus de l'appareil pour permettre à l'air de s'échapper et qu'il y a un espace entre l'arrière de l'appareil et le mur.

Dessin d'installation

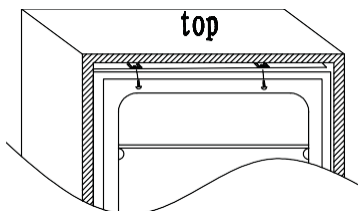
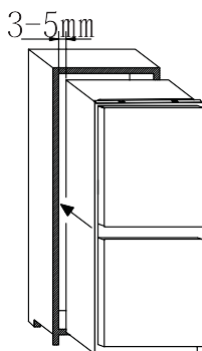




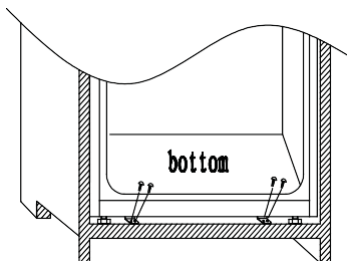
Instructions d'installation (charnière coulissante)

1) Insérez l'appareil dans le meuble en bois, en le plaçant du côté opposé des charnières, et veillez à ce qu'il y ait un écart de 3 à 5 mm.

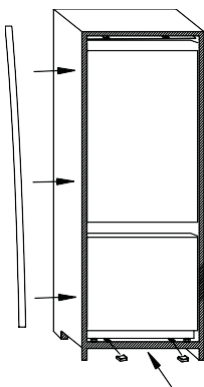
2) Après assurer le match entre appareil porte et colonne porte, alors vis la partie supérieure de l'appareil au meuble.



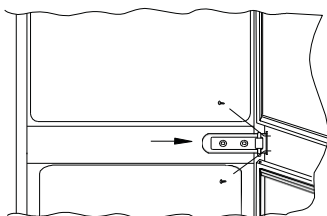
- 3) Vissez la partie inférieure de l'appareil.



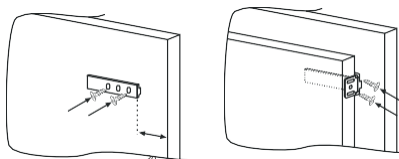
- 4) Monter le joint sur l'appareil, couper la partie excédentaire si nécessaire. Fixez les parties inférieures avec des couvercles en plastique.



- 5) Utilisez un tournevis cruciforme pour desserrer la goupille de connexion sous la charnière centrale droite et ajustez-la pour la visser sur la paroi droite de l'armoire.

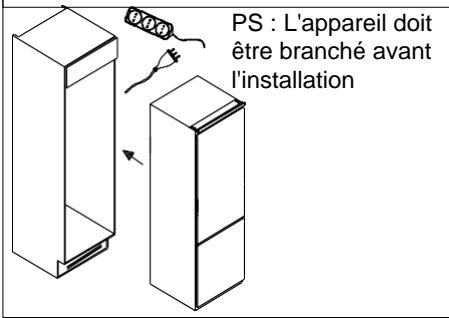


- 6) Fixez le curseur et la base du curseur sur la porte en bois et la porte de l'appareil.

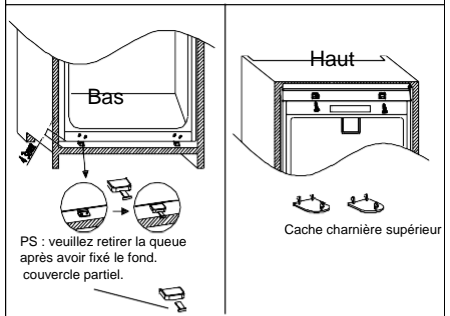


Instructions d'installation (charnière FIX)

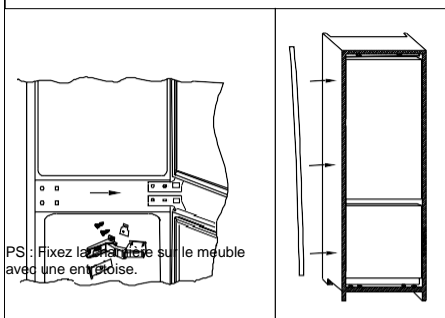
1. Poussez l'appareil dans le meuble en bois, l'appareil doit être mieux rapproché du côté gauche du meuble.



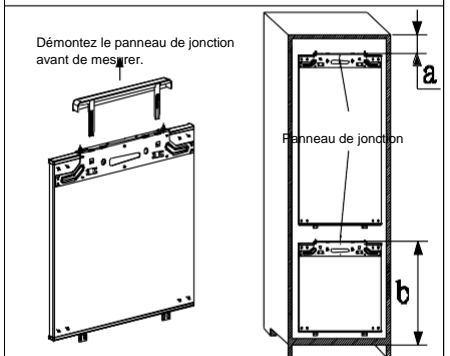
2. Ajustez la position de l'appareil, vissez la partie supérieure et inférieure du produit sur le meuble.



3. Fixez la charnière sur le meuble à l'aide de vis, fixez la bande décorative sur le côté gauche du produit.

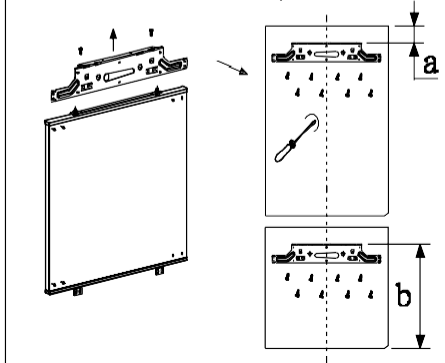


4. Mesurez la dimension sur a et b.



5. Fixez le panneau de jonction sur la porte

Le panneau de jonction doit être fixé au milieu de la porte du meuble.



6. Fixez la porte de l'appareil sur la porte du meuble.

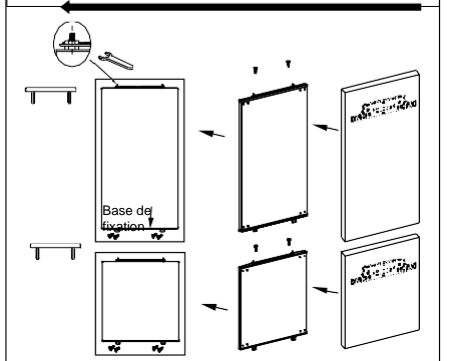


Tabla de contenidos

DIRECTRICES DE SEGURIDAD DE USO.....	68
CONDICIONES DE INSTALACIÓN Y FUNCIONAMIENTO DEL DISPOSITIVO.....	72
DESENVOLVER.....	74
ELIMINACIÓN DE EQUIPOS VIEJOS.....	74
CONTROL.....	75
FUNCIONAMIENTO Y FUNCIONES.....	77
USAR EL REFRIGERADOR DE MANERA EFICIENTE.....	79
DESCONGELACIÓN, LAVADO Y CUIDADO.....	81
SOLUCIÓN DE PROBLEMAS.....	83
INSTALACIÓN.....	85

DIRECTRICES DE SEGURIDAD DE USO

- El aparato está diseñado únicamente para uso doméstico.
- El fabricante se reserva el derecho de realizar cambios que no afecten al funcionamiento del dispositivo.
- Algunas disposiciones de este manual de instrucciones son uniformes para el enfriamiento de productos de varios tipos (para refrigeradores, refrigeradores, congeladores o congeladores)
- El fabricante no es responsable de ningún daño causado por el incumplimiento de las instrucciones de este manual.
- Guarde este manual para futuras referencias, o entrégueselo al siguiente usuario.
- Este aparato no está diseñado para ser utilizado por personas (incluidos niños) con capacidades físicas o mentales reducidas y personas que carecen de experiencia o familiaridad con el aparato.
- No permita que los niños utilicen el aparato. No dejes que jueguen con el dispositivo. No se le permite meterse en los cajones y columpiarse en las puertas.
- El dispositivo funciona perfectamente a temperatura ambiente (ver ficha del producto). No lo use en el sótano, la casa de verano sin calefacción en otoño e invierno.
- Al configurar, mover y levantar el aparato, no sostenga las manijas de las puertas, no tire del condensador en la parte posterior del refrigerador y no toque la unidad del compresor.
- No incline el congelador más de 40° desde la posición vertical al transportarlo, moverlo o colocarlo. En caso de que se produzca tal situación, el dispositivo debe encenderse en la posición correcta después de al menos 2 horas después del reemplazo (Fig.2).
- Retire el enchufe de la toma de corriente antes de cualquier mantenimiento. No tire del cable, sino que sostenga el cuerpo del conector.
- Retire el enchufe de la toma de corriente antes de cualquier mantenimiento. No tire del cable, sino que sostenga el cuerpo del conector.
- Por razones de seguridad, no repare el dispositivo usted mismo.

Las reparaciones realizadas por personas que no tienen las calificaciones necesarias pueden suponer un grave peligro para el usuario del dispositivo.

- Ventile durante unos minutos la habitación donde se colocará el aparato (el tamaño de la habitación para un producto que contenga isobutano/R600a debe ser de al menos 4 m^3) para evitar daños en el sistema de refrigeración.
- No vuelva a congelar los productos parcialmente descongelados.
- No almacene bebidas embotelladas y enlatadas, especialmente bebidas carbonatadas, en la cámara del congelador. Las latas y botellas pueden explotar.
- No ponga productos congelados tomados directamente del congelador (caramelos, cubitos de hielo, etc.) en su boca, ya que su baja temperatura puede causar congelación severa.
- Asegúrese de no dañar el sistema de enfriamiento perforando las líneas de refrigerante en el evaporador o rompiendo las tuberías. El refrigerante es inflamable. Si el refrigerante entra en contacto con los ojos, enjuáguelos con agua limpia y llame a un médico de inmediato.
- Si el cable de alimentación está roto, debe reemplazarse por uno nuevo en un taller especializado.
- Este aparato está diseñado para el almacenamiento de alimentos, no lo use para otros fines.
- Para actividades como la limpieza, el mantenimiento o la mudanza, el aparato debe estar completamente desconectado de la fuente de alimentación (desenchufándolo de la toma de corriente)
- Este aparato puede ser utilizado por niños de 8 años o más o por personas con discapacidades físicas, mentales o sensoriales o por personas sin experiencia o no familiarizadas con el aparato, siempre que estén supervisadas o hayan recibido instrucciones sobre el uso seguro del aparato y estén familiarizadas con los riesgos asociados con el uso del aparato. Asegúrese de que los niños no jueguen con el dispositivo. La limpieza y el mantenimiento del aparato no deben ser realizados por niños a menos que tengan 8 años de edad o más y estén supervisados por una persona competente.

Para obtener más espacio en el congelador, puede quitar los cajones y poner la comida directamente en los estantes. Esto no afecta las propiedades mecánicas y la capacidad de enfriamiento del producto. La capacidad de congelación declarada se calculó con los cajones retirados.


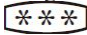



ADVERTENCIA: Peligro de incendio / materiales inflamables

- Los niños entre las edades de 3 y 8 años pueden cargar y descargar refrigeradores.

Para evitar la contaminación de los alimentos, tenga en cuenta las siguientes instrucciones:

- La apertura prolongada de la puerta puede conducir a un aumento significativo de la temperatura en los compartimentos del dispositivo.
- Limpie regularmente las superficies que puedan entrar en contacto con alimentos y sistemas de drenaje accesibles.
- Guarde la carne y el pescado crudos en recipientes adecuados en el refrigerador para que no entren en contacto o goteen sobre otros alimentos.
- Los compartimentos de congelación de dos estrellas son adecuados para almacenar alimentos congelados, almacenar o hacer helados y hacer cubitos de hielo.
- Los compartimentos de una, dos y tres estrellas no son adecuados para congelar alimentos frescos

	Compartimentos ART	Temperatura de almacenamiento o objetivo [OC]	Alimentación adecuada
1	Refrigerador	+2≤+8	Los huevos, los alimentos cocidos, los alimentos envasados, las frutas y verduras, los productos lácteos, los pasteles, las bebidas y otros alimentos no son adecuados para la congelación.
2	Congelador 	≤-18	Mariscos (pescados, camarones, mariscos), productos acuáticos de agua dulce y productos cárnicos (recomendados durante 3 meses, cuanto mayor sea el tiempo de almacenamiento, peor será el sabor y el valor nutricional), adecuados para alimentos frescos congelados.
3	Congelador 	≤-18	Los mariscos (pescado, camarones, mariscos), los productos acuáticos de agua dulce y los productos cárnicos (recomendados durante 3 meses, cuanto más largo sea el período de almacenamiento, peor será el sabor y el valor nutricional) no son adecuados para alimentos frescos congelados.
4	Congelador 	≤-12	Los mariscos (pescado, camarones, mariscos), productos acuáticos de agua dulce y productos cárnicos (recomendados durante 2 meses, cuanto más largo sea el período de almacenamiento, peor será el sabor y el valor nutricional) no son adecuados para alimentos frescos congelados.

5	Congelador	≤ -6	Los mariscos (pescados, camarones, mariscos), los productos acuáticos de agua dulce y los productos cárnicos (recomendados para 1 mes, cuanto mayor sea el tiempo de almacenamiento, peor será el sabor y el valor nutricional) no son adecuados para alimentos frescos congelados.
6	Compartimento de 0 estrellas	$-6 \leq 0$	Carne fresca de cerdo, res, pescado, pollo, algunos alimentos procesados envasados, etc. (Se recomienda comer el mismo día, preferiblemente no más de 3 días). Alimentos procesados parcialmente encapsulados (alimentos no congelables)
7	Frío	$2 \leq +3$	Se recomienda el consumo de carne de cerdo fresca / congelada, carne de res, pollo, productos acuáticos de agua dulce, etc. (se recomienda el consumo de 7 días por debajo de 0°C y por encima de 0°C dentro de este día, preferiblemente no más de 2 días). Mariscos (menos de 0 durante 15 días, no se recomienda almacenarlos por encima de 0°C)
8	Alimentos frescos	$0 \leq +4$	Carne fresca de cerdo, ternera, pescado, pollo, alimentos cocidos, etc. (Se recomienda comer el mismo día, preferiblemente no más de 3 días)
9	Vino	$+5 \leq +20$	Vino tinto, vino blanco, vino espumoso, etc.

- Nota: Almacene diferentes alimentos según la composición o la temperatura de almacenamiento de destino de sus productos comprados.
- Si el refrigerador está vacío durante mucho tiempo, apáguelo, descongele, límpielo, séquelo y deje la puerta abierta para evitar el crecimiento de moho en la unidad.
- Limpieza de dispensadores de agua (especialmente para productos dispensadores de agua): limpie los tanques de agua si no se han utilizado durante 48 horas; Enjuague el sistema de agua conectado a una conexión de agua si no se ha tomado agua durante 5 días.
- De acuerdo con el Reglamento (UE) 2019/2019 de la Comisión, el período mínimo de disponibilidad de las piezas de repuesto necesarias para la reparación del equipo es de 7 o 10 años, dependiendo del tipo y el uso previsto de la pieza de repuesto.
- La lista de piezas de repuesto y el procedimiento de pedido se pueden encontrar en los sitios web del fabricante, importador o un representante autorizado.
- Puede encontrarse más información sobre el producto en la base de datos de productos EPREL de la UE en <https://eprel.ec.eu-ropa.eu>. Para obtener más información, escanee el código QR de la etiqueta energética con su dispositivo móvil o introduzca el modelo de producto que figura en la etiqueta energética en el motor de búsqueda EPREL <https://eprel.ec.europa.eu/>

CONDICIONES DE INSTALACIÓN Y FUNCIONAMIENTO DEL DISPOSITIVO

Esta unidad de refrigeración está diseñada para su uso como un aparato incorporado.

Instalación antes del primer arranque del dispositivo

- Retire el producto del embalaje y retire la cinta que protege la puerta y el dispositivo. Las manchas adhesivas restantes se pueden eliminar con un detergente suave.
- No tire los elementos de poliestireno del envase. Si es necesario transportar el frigorífico-congelador, empaquélo en los elementos de poliestireno y lámina y protéjalo con cinta adhesiva
- Limpie la superficie interior del frigorífico-congelador y los elementos del aparato con un detergente disuelto en agua tibia y séquelo.
- Coloque la nevera-congelador sobre una superficie plana, nivelada y estable, en una habitación seca, ventilada y sombreada, lejos de fuentes de calor como: horno, vitrocerámica, radiadores de calefacción central, tuberías de calefacción central, instalación de agua caliente, etc.
- Puede haber una película protectora en el exterior del producto, estas películas deben eliminarse.
- Asegúrese de que el dispositivo esté colocado en posición horizontal atornillando las 2 patas delanteras ajustables (Fig. 3)
- Para garantizar que la puerta se abra libremente, la distancia entre el lado de la unidad (en el lado de las bisagras de la puerta) y la pared se muestra en la Figura 5.*
- Asegurar una ventilación adecuada de la habitación y la libre circulación de aire desde todos los lados de la unidad (Fig. 6).*

Distancias mínimas a las fuentes de calor

- del gas eléctrico y otros hornos - 30 mm,
- de hornos de petróleo o carbón - 300 mm,
- N° de hornos empotrados - 50 mm

Si no es posible garantizar las distancias anteriores, proporcione una placa de aislamiento adecuada.

Advertencia:

- La pared posterior del refrigerador, especialmente el condensador y otros elementos del sistema de enfriamiento, no debe entrar en contacto con otros elementos que puedan dañarlo (por ejemplo, tuberías de calefacción central y tuberías de suministro de agua).
- Está prohibido reajustar o modificar cualquier parte del dispositivo. Es crucial que el tubo capilar visible en el pozo del compresor no se dañe. La manguera no debe doblarse, enderezarse ni enrollarse.
- Si el tubo capilar es dañado por el usuario, la garantía será nula (Fig. 8).
- En algunos modelos, el mango se inserta en el dispositivo, debe atornillarlo con su propio destornillador,

Conexión a la red eléctrica

- Antes de conectarlo, se recomienda ajustar el controlador de temperatura a "OFF" u otra posición que desconecte el dispositivo de la fuente de alimentación (consulte la página que describe el controlador).
- Este aparato debe enchufarse a una toma de CA de 220-240 V y 50 Hz. El enchufe debe montarse correctamente y suministrarse con un tubo protector y un fusible de 10A.

- Es un requisito legal que el dispositivo esté correctamente conectado a tierra. El fabricante no será responsable de ningún daño o lesión que pueda resultar del incumplimiento de este requisito.
- No utilice adaptadores, regletas ni cables de extensión de dos hilos. Si se debe utilizar el cable de extensión, debe estar equipado con un anillo protector y un solo enchufe y tener un certificado de seguridad VDE / GS.
- Si se utiliza un cable de extensión (con un anillo protector y un certificado de seguridad), su salida debe estar a una distancia segura de los fregaderos y no debe estar en un lugar donde pueda inundarse con agua o aguas residuales.
- Para obtener especificaciones detalladas, consulte la placa de tipo en la parte inferior de la pared interior del dispositivo **.

Desconexión de la red eléctrica

Asegúrese de que el aparato se puede desconectar fácilmente de la red eléctrica, ya sea desenchufándolo de la toma de corriente o apagando el interruptor de dos polos (Fig. 9).

Zona climática

La información sobre el rango climático del dispositivo se puede encontrar en la placa tipográfica. Indica a qué temperatura ambiente (es decir, temperatura ambiente a la que funciona el dispositivo) el funcionamiento del dispositivo es óptimo (correcto).

Clase climática		Temperatura ambiente admisible
SN	Templado avanzado	Esta unidad de refrigeración está diseñada para su uso a una temperatura ambiente entre 10 °C y 32 °C
N	Templado	Esta unidad de refrigeración está diseñada para su uso a una temperatura ambiente entre 16 °C y 32 °C
C	Subtropical	Esta unidad de refrigeración está diseñada para su uso a una temperatura ambiente entre 16 °C y 38 °C
T	Tropical	Esta unidad de refrigeración está diseñada para su uso a una temperatura ambiente entre 16 °C y 43 °C

* Solo dispositivos independientes

** Dependiendo del modelo

DESENVOLVER



Durante el transporte, se utilizó un embalaje protector para proteger el dispositivo de daños. Después de desembalar, deseché todos los elementos de embalaje de tal manera que no dañen el medio ambiente.

Todos los materiales utilizados para el embalaje del dispositivo son respetuosos con el medio ambiente. Son 100% reciclables y están marcados con el símbolo apropiado.

¡Importante! Los materiales de embalaje (bolsas, polietileno, poliestireno, etc.) deben mantenerse alejados de los niños al desempacar.

ELIMINACIÓN DE EQUIPOS VIEJOS



De acuerdo con la Directiva Europea 2012/19/UE y la legislación local sobre residuos de aparatos eléctricos y electrónicos, estos equipos están marcados con el símbolo del contenedor de residuos tachado. Esta marca indica que el aparato no debe desecharse junto con otros residuos domésticos después de su uso.

El usuario está obligado a entregarlos a un punto de recogida de residuos que recoge los aparatos eléctricos y electrónicos usados. Los recolectores, incluidos los puntos de recolección locales, las tiendas y las autoridades locales, ofrecen sistemas de reciclaje.

El manejo adecuado de los equipos eléctricos y electrónicos usados ayuda a evitar los riesgos ambientales y de salud derivados de la presencia de componentes peligrosos y el almacenamiento y procesamiento inadecuados de dichos bienes.

CONTROLS



1. La primera vez que enciende el aparato, este siempre funciona en los ajustes: 5°C para frigorífico, 0°C para My Zone y -18°C para congelador. Si desea ajustar la temperatura o las funciones manualmente, presione el botón para realizar las operaciones. La temperatura de la zona de adaptación oscila entre -3 °C y 3 °C.
2. Ajuste de la temperatura del refrigerador: presione el botón ④ en la parte izquierda del panel de control para lograr diferentes temperaturas de 2 °C a 8 °C.
3. Ajuste de la temperatura del congelador: presione el botón ⑤ en la parte derecha del panel de control para lograr diferentes temperaturas de -15 °C a -25 °C.
4. Función de regulación del cajón Mi Zona: este botón ① controla la temperatura. Pulsando este botón el dígito pasará de -3° a +3°. Esta función puede estar activada/desactivada. presionando continuamente durante tres segundos.
5. Función de enfriamiento rápido: presione el botón ②, la luz del botón se ilumina y la función de enfriamiento rápido se activa, el refrigerador comienza a funcionar automáticamente con un ajuste de temperatura de 2 °C y se apaga después de 24 horas, la luz del símbolo se apaga.
6. Función de vacaciones: presione el botón ③, la luz del botón se ilumina, la función de vacaciones se activa y todo el aparato comienza a funcionar automáticamente en las configuraciones: refrigerador a 17 °C y congelador a -18 °C.
7. Función Eco: presione el botón ⑥ en el panel de control, la función Eco se activa y el botón se ilumina, el compartimiento del refrigerador funciona a 5 °C y el compartimiento del congelador funciona a -18 °C. La zona de adaptación funciona a 3 °C.
8. Función de congelación rápida: presione el botón ⑦, la luz del botón se ilumina y el congelador comienza a funcionar en la función de congelación rápida, ajuste de temperatura -25 °C. Después de 24 horas, la función de congelación rápida se detiene automáticamente.
9. Presione el botón ⑧ durante 3 segundos para apagar su electrodoméstico y el botón se ilumina, se corta la energía. Las lámparas internas se apagan, el compresor deja de funcionar. Presione el botón ⑧ durante 3 segundos para encender su electrodoméstico, el símbolo se ilumina y la energía se conecta nuevamente.

Información adicional sobre la temperatura.

- La temperatura dentro del aparato está influenciada por muchos factores. La forma de configurar el dial de control de temperatura depende de la temperatura ambiente, la exposición al sol, la frecuencia con la que abre la puerta y la cantidad de alimentos almacenados. La posición media del dial es la más óptima en la mayoría de los casos.
- No coloque alimentos en el frigorífico antes de que haya alcanzado su temperatura de funcionamiento, lo que tarda un mínimo de 4 horas.
- No cambie los ajustes de temperatura debido al cambio de estación del año. El aumento de la temperatura ambiente será detectado por el sensor y el compresor se encenderá automáticamente durante un período de tiempo más largo para mantener la temperatura establecida dentro de las cámaras.
- Los ligeros cambios de temperatura son perfectamente normales y pueden ocurrir, por ejemplo, durante el almacenamiento de grandes cantidades de productos frescos en el frigorífico, o cuando la puerta permanece abierta durante un período de tiempo prolongado. Esto no afectará al estado de los alimentos almacenados, y la temperatura volverá rápidamente a su valor establecido.

Código de error

Este aparato tiene la función de "visualización de fallas y alarma". Una vez que los sensores fallan, se muestran alarmas en la pantalla de temperatura, el electrodoméstico aún se enfría, pero se debe llamar a un ingeniero de servicio profesional para revisar el electrodoméstico.

F2 – Sensor de zona de adaptación

F3 – Sensor del apartamento frigorífico

F4 – Sensor del compartimento congelador

F5 – Sensor de deshielo

2E – Fallo del ventilador/motor del congelador

CE – Fallo de comunicación entre el panel principal y el panel de visualización. Los errores anteriores solo se muestran en la pantalla, no hay voz

Alarma de sobretemperatura en el congelador: después de que la temperatura del congelador llegue a la temperatura establecida, después de eso, si la temperatura aumenta a >-1 °C, se activará la alarma, acompañada de un destello del dígito de temperatura del congelador. Presione cualquier botón para cancelar la alarma por voz. El flash permanecerá hasta que la temperatura sea <-1 °C.

PD: la placa principal se ubica en el compartimento del compresor

FUNCIONAMIENTO Y FUNCIONES

Almacenamiento de alimentos en la nevera-congelador


- Los productos deben envasarse en platos, en recipientes o en papel de aluminio. Extiéndelos uniformemente en los estantes.
- Si el alimento entra en contacto con la pared posterior, puede producirse glaseado o humectación de los productos.
- No ponga platos con alimentos calientes en el refrigerador
- Los productos que absorben fácilmente los sabores, como la mantequilla, la leche, el queso blanco y los productos con un sabor intenso, como el pescado, las carnes ahumadas, los quesos duros, deben colocarse en estantes, envasarse en envases de alimentos o almacenarse en recipientes bien cerrados.
- El almacenamiento de verduras que contengan cantidades significativas de agua conducirá a la deposición de condensación en los recipientes de verduras y no interferirá con el buen funcionamiento del refrigerador.
- Antes de poner las verduras en el refrigerador, séquelas bien.
- La humedad excesiva acorta la vida útil de las verduras, especialmente las verduras de hoja verde.
- No lave las verduras antes de guardarlas en el refrigerador. El lavado elimina la protección natural, por lo que es mejor lavar las verduras justo antes de comerlas.
- Se recomienda colocar los productos en los cajones del congelador 1, 2, 3* hasta la capacidad de carga natural (Fig. 11a / 11b).**

1. Productos envasados
2. Estante
3. Resiliencia natural
4. ❌***

- Es aceptable apilar productos en los estantes del congelador.*
- Está permitido colocar productos de 20 a 30 mm fuera de la capacidad de carga natural.**
- Para aumentar la capacidad de carga de la cámara del congelador y permitir que los productos se apilan en los estantes de alambre del evaporador del congelador a la altura máxima, es posible retirar los cajones 1 y 2.*

Congelación de alimentos **


- Prácticamente todos los alimentos, con la excepción de las verduras que se comen crudas, como la lechuga, se pueden congelar.
- Solo se deben congelar los productos alimenticios de la más alta calidad, divididos en pequeñas porciones para un solo uso.
- Los productos deben envasarse en materiales inodoros, resistentes a la penetración del aire y la humedad, y no susceptibles a la grasa. Las bolsas de plástico, el polietileno y las láminas de aluminio son los mejores materiales de embalaje.
- El embalaje debe ser hermético y debe adherirse a los productos congelados. No utilice recipientes de vidrio.
- Mantenga los alimentos frescos y calientes a temperatura ambiente, lejos de los productos que ya están congelados.
- Le recomendamos que no ponga más alimentos frescos en el congelador por día (consulte la tabla de especificaciones técnicas).
- Para obtener una calidad óptima de alimentos congelados, organice los alimentos que están en el centro del congelador para que no toquen los productos que aún no se han congelado.
- Se recomienda empujar los productos ya congelados hacia un lado, y colocar los productos frescos que se planea congelar en el lado opuesto, lo más cerca posible de las paredes posteriores y laterales.

- Para congelar productos, utilice la habitación marcada .
- Tenga en cuenta que la temperatura en el congelador se ve afectada por varios factores, incluida la temperatura ambiente y la cantidad de alimentos en la cámara, la frecuencia de apertura de la puerta, la cantidad de escarcha en el congelador y el ajuste del termostato.
- Si no puede abrir la puerta del congelador inmediatamente después del cierre, espere 1-2 minutos para que la presión negativa se iguale e intente abrir la puerta nuevamente.

El tiempo de almacenamiento de los productos congelados depende de su calidad antes de congelarlos en estado fresco y de la temperatura de almacenamiento. Se recomiendan los siguientes períodos de almacenamiento si la temperatura se mantiene a -18 °C o menos:

Productos	Meses
Vaca	6-8
Tenera	3-6
Asadura	1-2
Cerdo	3-6
Ave de corral	6-8
Huevos	3-6
Pescado	3-6
Verdura	10-12
Fruta	10-12

No guarde alimentos congelados en una cámara de enfriamiento rápido. Los cubitos de hielo se pueden preparar y almacenar en esta cámara.

Nota: Si el aparato no tiene un compartimento congelador () , no es adecuado para congelar alimentos.

* Aplicable para aparatos con un compartimento congelador en la parte inferior del aparato.

** Aplicable para aparatos con congelador .

No se aplica a los aparatos con un compartimento congelador marcado .

USAR EL REFRIGERADOR DE MANERA EFICIENTE

Consejos prácticos para la vida cotidiana

- No coloque refrigeradores o congeladores cerca de radiadores, calentadores, hornos o luz solar directa.
- Asegúrese de que las rejillas de ventilación no estén cubiertas y retire el polvo una o dos veces al año.
- Elija la temperatura adecuada: 6 a 8 ° C en la nevera y -18 ° C en el congelador son suficientes.
- Si está de vacaciones, aumente la temperatura en su refrigerador.
- No abra su refrigerador o congelador a menos que sea necesario. Ayuda si sabe qué alimentos contiene cada uno y dónde se encuentra. Vuelva a poner los alimentos en la nevera o el congelador tan pronto como sea posible después de su uso para que no se caliente demasiado.
- Limpie el interior de su refrigerador regularmente con un paño empapado en un detergente suave. Los electrodomésticos que no son autodescongelantes deben descongelarse regularmente. No permita que aparezcan capas de escarcha con un grosor de más de 10 mm.
- Mantenga limpia la junta alrededor de la puerta, de lo contrario no se cerrará correctamente. Siempre reemplace las juntas defectuosas.

Entendiendo las estrellas



La temperatura es de al menos -6 ° C; suficiente para almacenar alimentos congelados durante aproximadamente una semana. Los cajones o compartimentos marcados con un asterisco solían ser una característica de los refrigeradores (en su mayoría) más baratos.



Los alimentos se pueden almacenar a -12 ° C o menos durante 1-2 semanas sin perder su sabor. No apto para congelar alimentos.



Esta clasificación se utiliza principalmente para almacenar alimentos a -18 ° C o menos. También se puede utilizar para congelar hasta 1 kilogramo de alimentos frescos.



Este aparato es adecuado para almacenar alimentos a -18 ° C o menos y congelar grandes cantidades de alimentos frescos.

Consejos prácticos

Debido a la circulación natural de aire en el dispositivo, hay diferentes zonas de temperatura en el compartimiento del refrigerador.

- El área más fría está justo encima de los cajones de verduras. Use esta sección para todos los alimentos delicados y perecederos, tales como:
 - Pescado, carne, aves
 - Carnes curadas, platos preparados
 - Vajilla o productos de panadería que contengan huevos o nata
 - Masa fresca, mezclas para pasteles
 - Las verduras preenvasadas y otros alimentos frescos con una etiqueta deben almacenarse a una temperatura de aproximadamente 4 ° C.

La zona más cálida se encuentra en la zona superior de la puerta. Use esto para almacenar mantequilla y Queso.

Alimentos que no se deben guardar en el frigorífico.

- No todos los alimentos son aptos para conservar en el frigorífico, en particular:
 - Frutas y verduras sensibles al frío como plátano, aguacate, papaya, maracuyá, berenjenas, pimientos, tomates y pepinos.
 - Fruta que aún no está madura
 - Papas

Advertencia:

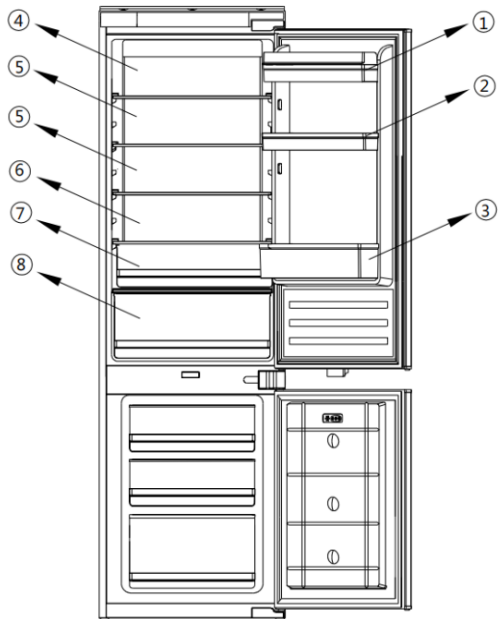
Ejemplo de almacenamiento de alimentos: ver más abajo

Para lograr la conservación más efectiva de los alimentos durante el mayor tiempo posible y evitar el desperdicio de alimentos, coloque los productos como se muestra en la Figura 12. Además, esta figura ilustra la disposición de cajones, cestas y estantes, lo que permite el uso más eficiente de energía.

Las condiciones óptimas de temperatura y almacenamiento extenderán la vida útil del producto y optimizarán el consumo de electricidad. El rango de temperatura de almacenamiento óptimo debe indicarse en el embalaje del producto alimenticio.

La sección del frigorífico es para el almacenamiento de alimentos a corto plazo. Aunque se pueden mantener bajas temperaturas, no se recomiendan períodos prolongados de almacenamiento de alimentos. A medida que el aire frío circula dentro del frigorífico, la temperatura puede variar entre las distintas secciones. Como tal, los alimentos deben almacenarse en diferentes secciones según el tipo.

1. Mantequilla, quesos, etc.
2. Comida en frascos y botellas.
3. Bebidas, p.e. leche
4. Comida cocinada
5. Yogures, conservas, etc.
6. Botellas de 75cl o platos preparados, etc.
7. Frutas y vegetales
8. Carne y pescado frescos/frutas y verduras



Los estantes del frigorífico se pueden mover según las necesidades de almacenamiento dentro de la sección del frigorífico. Para mover el estante, levante la sección trasera y luego tire de ella hacia afuera. La configuración que ahorra más energía requiere que se coloquen cajones, cajas de alimentos y estantes en el producto; consulte las imágenes de arriba.

DESCONGELACIÓN, LAVADO Y CUIDADO

¡Nunca limpie la carcasa o las partes de plástico del producto con disolventes o agentes de limpieza fuertes y abrasivos (por ejemplo, detergentes en polvo o cremas)! Use solo detergentes líquidos suaves y paños suaves. No use esponjas.

Descongelar el refrigerador ***

- La escarcha se asienta en la pared posterior de la cámara de enfriamiento. Se eliminará automáticamente. Durante la descongelación, el condensado que contiene contaminación puede obstruir la abertura en el pasaje. Si este es el caso, limpie cuidadosamente la abertura con el tapón de limpieza (Fig. 13).
- El dispositivo funciona en ciclos: se enfría (luego la escarcha se asienta en la pared posterior) y se descongela (el agua fluye por la pared posterior)
- Antes de limpiarlo, desconecte el aparato de la red eléctrica desenchufándolo de la toma de corriente o apagando el fusible. Evite que el agua entre en el panel de control o en la lámpara.
- No utilice aerosoles descongelantes. Pueden causar una mezcla explosiva o contener disolventes que pueden dañar las partes plásticas del dispositivo e incluso ser perjudiciales para la salud.
- Asegúrese de que el agua utilizada para la limpieza no fluya a través de la abertura de salida hacia el tanque de evaporación.
- Todo el dispositivo, excepto el sello de la puerta, debe limpiarse con un detergente suave. El sello de la puerta debe limpiarse con agua y secarse.
- Lave todos los accesorios (recipientes de verduras, estantes de puertas, estantes de vidrio, etc.).

Descongele la cámara del congelador de la siguiente manera:**

- Encienda el dispositivo mediante el panel de control y retire el enchufe de la toma de corriente.
- Abra la puerta y retire la comida del congelador.
- Dependiendo del modelo, saque la manguera de drenaje, que se encuentra en la parte inferior del compartimiento del congelador, y coloque un recipiente adecuado debajo de ella.
- Deje la puerta abierta, esto acelerará el proceso de descongelación. Además, se puede colocar una olla de agua caliente (no hirviendo) en el congelador.
- Lave el interior del congelador y séquelo.
- Encienda el dispositivo de acuerdo con el elemento correspondiente en el manual de instrucciones.
-

Descongelación automática del refrigerador ****

La cámara de refrigeración ha sido equipada con una función de descongelación automática. Sin embargo, la escarcha puede asentarse en la pared posterior de la cámara frigorífica. Esto suele suceder cuando se almacenan grandes cantidades de alimentos frescos en el refrigerador.

Descongelación automática del congelador ****

La cámara de congelación está equipada con una función de descongelación automática (No-Frost). En el aire circulante enfriado, la comida se congela y la humedad se disipa de la cámara de congelación hacia el exterior. Como resultado, no hay hielo ni escarcha en el congelador, y los productos no se congelan entre sí.

Lavar el refrigerador y la cámara del congelador manualmente ****

Se recomienda lavar las cámaras de refrigeración y congelación al menos una vez al año. Esto evita la formación de bacterias y malos olores. Apague el aparato con el botón (1), retire los alimentos de las cámaras y lávelos con agua y un detergente suave. Luego seque las cámaras con un paño.

Sácalo y ponlo en los estantes *****

Deslice el estante hacia afuera y, a continuación, deslícelo lo más posible para que la abrazadera encaje en la ranura guía (Fig. 15).

Extracción e inserción del estante de la puerta *****

Levante el estante de la puerta, sáquelo y devuélvalo a la posición deseada desde arriba (Fig.16).

¡ADVERTENCIA! En ningún caso debe poner un calentador eléctrico, un calentador de ventilador o un secador de pelo en el congelador.

- ** Aplicable para aparatos con congelador
 No se aplica a dispositivos con un sistema libre de heladas.
- *** Aplicable para electrodomésticos con compartimento frigorífico
 No se aplica a dispositivos con un sistema libre de heladas.
- **** Aplicable para dispositivos con un sistema libre de heladas.
- ***** No se aplica a congeladores

SOLUCIÓN DE PROBLEMAS

Problemas	Posibles causas	Remedio
El dispositivo no funciona	El circuito está roto	<ul style="list-style-type: none"> - Compruebe que el enchufe está insertado correctamente en el enchufe - Compruebe que el cable de alimentación del dispositivo no esté dañado - Compruebe si hay voltaje en la toma conectando otro dispositivo, como una lámpara de noche - Compruebe que el aparato está encendido ajustando el termostato a una posición superior a 0.
La iluminación en la cámara no funciona	La bombilla está suelta o fusionada (solo dispositivos con iluminación de bombilla)	- Inserte la bombilla correctamente o reemplácela (consulte la sección anterior "Sustitución de la bombilla de iluminación interior")
El dispositivo funciona continuamente	Ajuste incorrecto de la perilla de ajuste	- Restablecer la perilla a una posición más baja
	Ver. "La temperatura dentro del dispositivo no es lo suficientemente baja como para describir otras posibles causas.	Ver. "La temperatura dentro del dispositivo no es lo suficientemente baja como para describir otros posibles remedios.
El agua se acumula en la parte inferior del dispositivo	El orificio de salida de agua está obstruido (dependiendo del modelo)	- Limpie la abertura del pico (consulte las instrucciones de funcionamiento – capítulo "Descongelación del refrigerador")
	Circulación de aire interna obstruida	- Colocar los alimentos y recipientes de manera que no toquen la pared posterior del refrigerador
El dispositivo produce ruidos inusuales	Nivelación incorrecta del dispositivo	- Nivelar el dispositivo correctamente
	El aparato toca muebles y/u otros objetos	- Coloque el aparato en un lugar donde se garantice una distancia suficiente

Problemas	Posibles causas	Remedio
La temperatura dentro del dispositivo no es lo suficientemente baja o demasiado alta	Configuración incorrecta de la perilla de ajuste	- Restablecer la perilla a una posición más alta
	La temperatura ambiente es más alta o más baja que el rango de clima de la Tabla de especificaciones técnicas	- El dispositivo está adaptado para operar en el rango climático de la tabla con especificaciones técnicas.
	El dispositivo está ubicado en un lugar iluminado por el sol o cerca de fuentes de calor	- Mueva el dispositivo a otra ubicación. Observe las pautas contenidas en el manual de instrucciones
	Demasiada comida caliente cargada a la vez	- Espere 72 horas para que la comida se enfríe (congele) y alcance la temperatura deseada en la cámara
	Circulación de aire interna obstruida	- Colocar los alimentos y recipientes de manera que no toquen la pared posterior del refrigerador
	La circulación de aire en la parte posterior del dispositivo está obstruida	- Coloque el dispositivo al menos a 30 mm de la pared
	La puerta de la nevera / congelador se abre con demasiada frecuencia y / o se deja abierta durante demasiado tiempo	- Reducir la frecuencia de apertura de la puerta y/o acortar el tiempo que la puerta permanece abierta
	La puerta no se cierra completamente	- Colocar los alimentos y recipientes de manera que no interfieran con la puerta cerrada
El compresor se enciende muy raramente	- Comprobar que la temperatura ambiente no es inferior a la clase climática	
Junta de la puerta insertada	- Presione en la junta	

Durante el uso normal del refrigerador, se escuchan ciertos ruidos que no interfieren con su correcto funcionamiento.

Ruidos fáciles de prevenir:

- Ruido causado por el dispositivo que no está nivelado: ajuste la posición con los pies de dirección ajustables. Alternativamente, puede colocar almohadillas hechas de material blando debajo de los rodillos traseros, especialmente si el dispositivo se coloca en baldosas.
- Toque el mueble adyacente - guarde el refrigerador.
- Crujir los cajones o estantes - Retire el cajón o estante y vuelva a colocarlo.
- Sonidos de botellas tintineando - Separe las botellas.

El ruido que se escucha durante el uso normal se debe principalmente al funcionamiento del termostato, el compresor (encendido) y el sistema de refrigeración (expansión térmica y contracción del radiador debido al flujo del refrigerante).

INSTRUCCIONES DE INSTALACIÓN

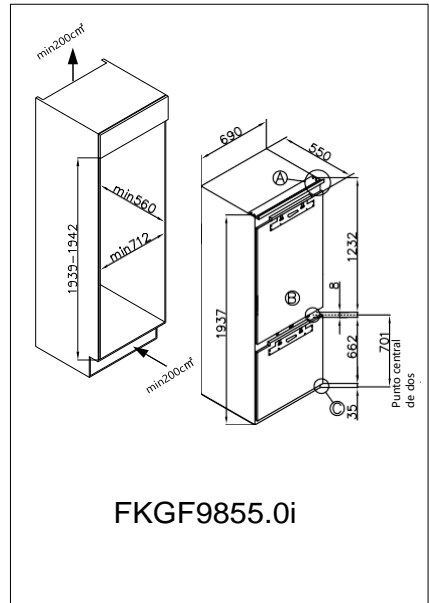
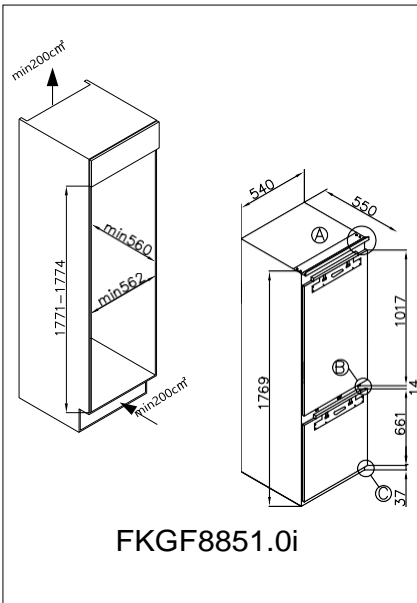
Preparación de la instalación

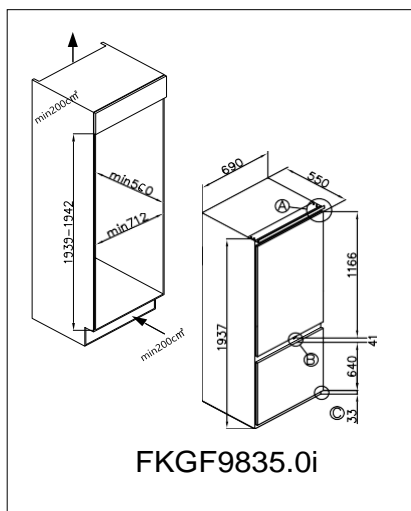
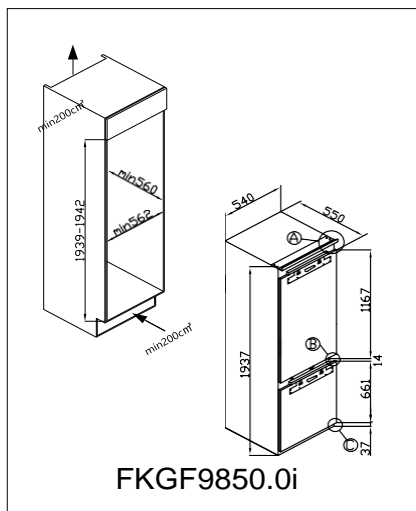
Este aparato nunca debe instalarse cerca de fuentes de calor, p. elementos calefactores o cocinas, ni en lugares húmedos.

Busque la ayuda de otra persona o dos al instalar este electrodoméstico. Este aparato puede tener bordes afilados. Utilice EPP adecuado para la tarea y el entorno.

- Para asegurarse de que el aparato esté nivelado, debe utilizar las patas ajustables en altura en la parte delantera del aparato.
- El sistema de refrigeración de la parte trasera del aparato no debe tocar la pared trasera. Cuanto mayor sea la brecha, mejor.
- El aparato debe instalarse con una ventilación adecuada. Asegúrese de que haya espacio encima del aparato para permitir que escape el aire y que haya espacio entre la parte posterior del aparato y la pared.

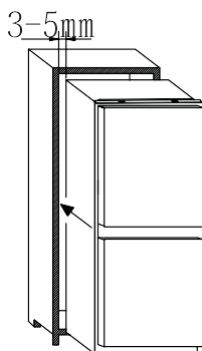
Plano de instalación



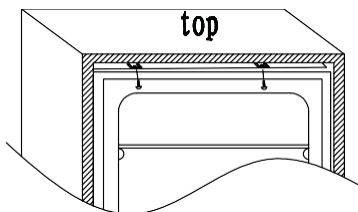


Instrucciones de instalación (bisagra deslizante)

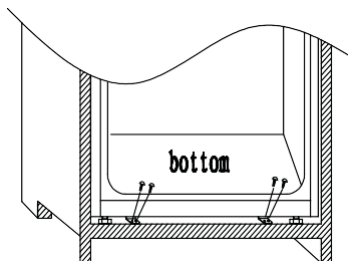
1) Inserte el aparato en el mueble de madera, colocándolo en el lado opuesto de las bisagras, y asegúrese de que haya una distancia de 3 a 5 mm.



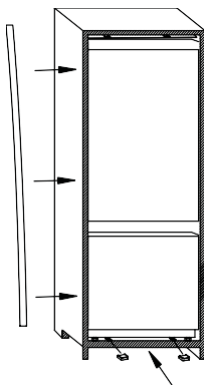
2) Después asegurando el partido entre aparato y columna puerta, entonces tornillo la parte superior del aparato al mueble.



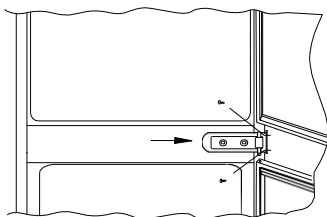
- 3) Atornille la parte inferior del aparato.



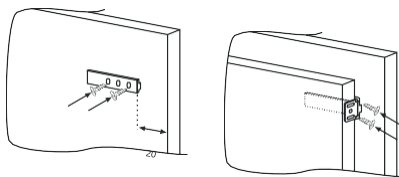
- 4) Coloque la junta en el aparato, corte la parte sobrante si es necesario. Montar las partes inferiores con tapas de plástico.



- 5) Utilice un destornillador de estrella para aflojar el pasador de conexión debajo de la bisagra central derecha y ajústelo para atornillarlo a la pared derecha del gabinete.

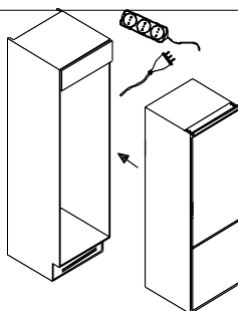


- 6) Fije el control deslizante y la base deslizante en la puerta de madera y en la puerta del electrodoméstico.



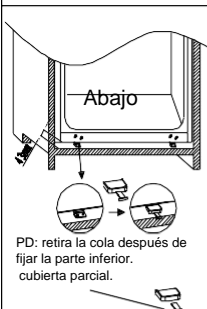
Instrucciones de instalación (bisagra FIJA)

1. Empuje el aparato hacia los muebles de madera; es mejor que el aparato se acerque al mueble por el lado izquierdo.

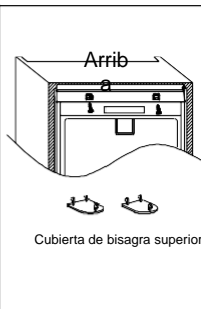


PD: El aparato debe estar enchufado antes de la instalación.

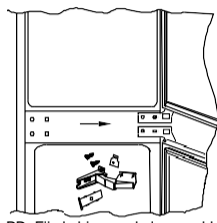
2. Ajuste la posición del aparato, atornille la parte superior e inferior del producto al mueble.



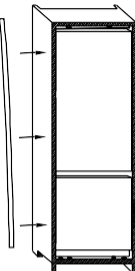
PD: retira la cola después de fijar la parte inferior. cubierta parcial.



3. Fije la bisagra al mueble con un tornillo y fije la franja decorativa en el lado izquierdo del producto.

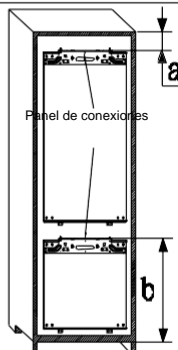
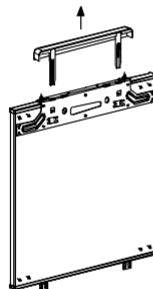


PD: Fije la bisagra de los muebles con un espaciador.

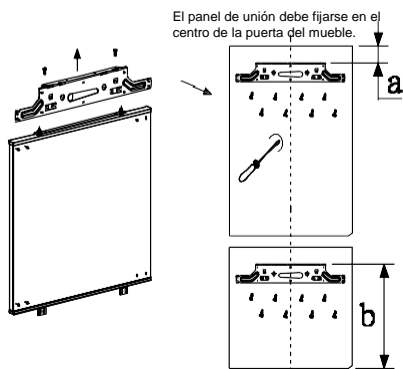


4. Mida la dimensión en a y b.

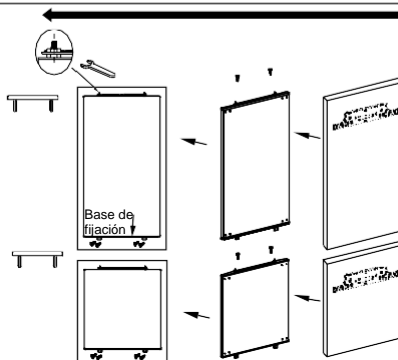
Desmonte el panel de conexiones antes de medir.



5. Fije el panel de unión en la puerta del mueble.



6. Fije la puerta del aparato a la puerta del mueble.



DIRETRIZES DE SEGURANÇA DE USO.....	90
CONDIÇÕES DE INSTALAÇÃO E FUNCIONAMENTO DO DISPOSITIVO.....	94
DESEMBRULHAR.....	96
DESCARTE DE EQUIPAMENTOS ANTIGOS.....	96
CONTROLE.....	97
OPERAÇÃO E FUNÇÕES.....	99
USANDO A GELADEIRA DE FORMA EFICIENTE.....	101
DESCONGELAMENTO, LAVAGEM E CUIDADOS.....	103
SOLUCIONANDO PROBLEMAS.....	105
INSTALAÇÃO.....	107

DIRETRIZES DE SEGURANÇA DE USO

- O aparelho destina-se apenas a uso doméstico.
- O fabricante reserva-se o direito de fazer alterações que não afetem o funcionamento do dispositivo.
- Algumas disposições deste manual de instruções são uniformes para o arrefecimento de produtos de vários tipos (para frigoríficos, frigoríficos, congeladores ou congeladores)
- O fabricante não é responsável por quaisquer danos causados pelo não cumprimento das instruções neste manual.
- Guarde este manual para referência futura, ou entregue-o ao próximo usuário.
- Este aparelho não se destina a ser utilizado por pessoas (incluindo crianças) com capacidades físicas ou mentais reduzidas e pessoas sem experiência ou familiaridade com o aparelho.
- Não permita que as crianças utilizem o aparelho. Não os deixe brincar com o dispositivo. Você não tem permissão para subir nas gavetas e balançar nas portas.
- O dispositivo funciona perfeitamente à temperatura ambiente (consulte o arquivo do produto). Não usá-lo no porão, casa de verão sem aquecimento no outono e inverno.
- Ao configurar, mover e levantar o aparelho, não segure as maçanetas, não puxe o condensador na parte de trás da geladeira e não toque na unidade compressora.
- Não incline o congelador mais de 40° da posição vertical ao transportar, mover ou posicionar. Caso tal situação ocorra, o dispositivo deve ser ligado na posição correta após pelo menos 2 horas da troca (fig. 2).
- Remova o plugue da tomada antes de qualquer manutenção. Não puxe o cabo, mas segure o corpo do conector.
- Remova o plugue da tomada antes de qualquer manutenção. Não puxe o cabo, mas segure o corpo do conector.
- Por razões de segurança, não repare o dispositivo sozinho.

Reparos realizados por pessoas que não possuem as qualificações necessárias podem levar a um sério perigo para o usuário do dispositivo.

- Ventilar a sala onde o aparelho será colocado durante alguns minutos (o tamanho da sala para um produto que contenha isobutano/R600a deve ser de, pelo menos, 4 m³) para evitar danos no sistema de arrefecimento.
- Não recongele produtos parcialmente descongelados.
- Não guarde bebidas engarrafadas e enlatadas, especialmente bebidas carbonatadas, na câmara do congelador. As latas e garrafas podem explodir.
- Não coloque produtos congelados retirados diretamente do congelador (pirulitos, cubos de gelo, etc.) na boca, pois sua baixa temperatura pode causar congelamento severo.
- Certifique-se de não danificar o sistema de resfriamento perfurando as linhas de refrigerante no evaporador ou quebrando os tubos. O refrigerante é inflamável. Se o refrigerante entrar em contato com os olhos, lave-os com água limpa e chame um médico imediatamente.
- Se o cabo de alimentação estiver quebrado, ele deve ser substituído por um novo em uma oficina especializada.
- Este aparelho destina-se ao armazenamento de alimentos, não o utilize para outros fins.
- Para atividades como limpeza, manutenção ou movimentação, o aparelho deve ser completamente desligado da fonte de alimentação (desconectando-o da tomada)
- Este aparelho pode ser utilizado por crianças com idade igual ou superior a 8 anos ou por pessoas com deficiências físicas, mentais ou sensoriais ou por pessoas inexperientes ou desconhecidas do aparelho, desde que sejam supervisionadas ou tenham sido instruídas sobre a utilização segura do aparelho e estejam familiarizadas com os riscos associados à utilização do aparelho. Certifique-se de que as crianças não brincam com o dispositivo. A limpeza e a manutenção do aparelho não devem ser realizadas por crianças, a menos que tenham 8 anos de idade ou mais e sejam supervisionadas por uma pessoa competente.

Para conseguir mais espaço no congelador, você pode retirar as gavetas e colocar os alimentos diretamente nas prateleiras. Isso não afeta as propriedades mecânicas e a capacidade de resfriamento do produto. A capacidade de congelamento declarada foi calculada com as gavetas removidas.


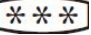



AVISO: Risco de incêndio / materiais inflamáveis

- Crianças entre 3 e 8 anos podem carregar e descarregar geladeiras.

Para evitar a contaminação dos alimentos, observe as seguintes instruções:

- A abertura prolongada da porta pode levar a um aumento significativo da temperatura nos compartimentos do dispositivo.
- Limpe regularmente superfícies que possam entrar em contato com alimentos e sistemas de drenagem acessíveis.
- Guarde carne e peixe crus em recipientes adequados na geladeira para que eles não entrem em contato ou gotejem em outros alimentos.
- Os compartimentos de congelamento de duas estrelas são adequados para armazenar alimentos congelados, armazenar ou fazer sorvete e fazer cubos de gelo.
- Compartimentos de uma, duas e três estrelas não são adequados para congelar alimentos frescos

	Compartimentos ART	Temperatura de armazenamento alvo [OC]	Alimentação adequada
1	Geladeira	+2≤+8	Ovos, alimentos cozidos, alimentos embalados, frutas e vegetais, laticínios, bolos, bebidas e outros alimentos não são adequados para congelamento.
2	Freezer 	≤-18	Frutos do mar (peixes, camarões, mariscos), produtos aquáticos de água doce e produtos cárneos (recomendados por 3 meses, quanto maior o tempo de armazenamento, pior o sabor e o valor nutricional), próprios para alimentos frescos congelados.
3	Freezer 	≤-18	Frutos do mar (peixes, camarões, mariscos), produtos aquáticos de água doce e produtos cárneos (recomendados por 3 meses, quanto maior o período de armazenamento, pior o sabor e o valor nutricional) não são adequados para alimentos frescos congelados.
4	Freezer 	≤-12	Frutos do mar (peixes, camarões, mariscos), produtos aquáticos de água doce e produtos cárneos (recomendados por 2 meses, quanto maior o período de armazenamento, pior o sabor e o valor nutricional) não são adequados para alimentos frescos congelados

5	Freezer	≤ -6	Frutos do mar (peixes, camarões, mariscos), produtos aquáticos de água doce e produtos cárneos (recomendados por 1 mês, quanto maior o tempo de armazenamento, pior o sabor e o valor nutricional) não são adequados para alimentos frescos congelados.
6	Compartimento 0 estrelas	$-6 \leq 0$	Carne de porco fresca, carne bovina, peixe, frango, alguns alimentos processados embalados, etc. (Recomenda-se comer no mesmo dia, de preferência não mais do que 3 dias). Alimentos processados parcialmente encapsulados (alimentos não congeláveis)
7	Resfriar	$2 \leq +3$	Carne de porco, bovina, frango, produtos aquáticos de água doce, etc. frescos/congelados (7 dias abaixo de 0OC e acima de 0OC são recomendados para consumo dentro deste dia, de preferência não mais de 2 dias). Frutos do mar (menos de 0 por 15 dias, não é recomendado armazená-lo acima de 0OC)
8	Alimentos frescos	$0 \leq +4$	Carne de porco fresca, carne bovina, peixe, frango, alimentos cozidos, etc. (Recomenda-se comer no mesmo dia, de preferência não mais do que 3 dias)
9	Vinho	$+5 \leq +20$	Vinho tinto, vinho branco, espumante, etc.

- Nota: Por favor, armazene alimentos diferentes dependendo da composição ou temperatura de armazenamento de destino de seus produtos comprados.
- Se a geladeira estiver vazia por muito tempo, desligue-a, descongele-a, limpe-a, seque-a e deixe a porta aberta para evitar o crescimento de mofo na unidade.
- Limpeza de bebedouros (especialmente para produtos dispensadores de água): caixas d'água limpas se não tiverem sido utilizadas por 48 horas; Limpe o sistema de água conectado a uma conexão de água se nenhuma água tiver sido tomada por 5 dias.
- De acordo com o Regulamento (UE) 2019/2019 da Comissão, o período mínimo de disponibilidade de peças sobressalentes necessárias para a reparação do equipamento é de 7 ou 10 anos, dependendo do tipo e da utilização prevista da peça sobressalente.
- A lista de peças sobressalentes e o procedimento de encomenda podem ser encontrados nos sites do fabricante, importador ou representante autorizado.
- Para mais informações sobre o produto, consultar a base de dados de produtos EPREL da UE, consultar <https://eprel.ec.eu-ropa.eu>. Para mais informações, digitalize o código QR na etiqueta energética com o seu dispositivo móvel ou introduza o modelo do produto indicado na etiqueta energética no motor de busca EPREL <https://eprel.ec.europa.eu/>

CONDIÇÕES DE INSTALAÇÃO E FUNCIONAMENTO DO DISPOSITIVO

Esta unidade de arrefecimento destina-se a ser utilizada como um aparelho incorporado.

Instalação antes da primeira inicialização do dispositivo

- Retire o produto da embalagem e retire a fita que protege a porta e o dispositivo. As manchas adesivas remanescentes podem ser removidas com detergente neutro.
- Não deite fora os elementos de poliestireno da embalagem. Se for necessário transportar o frigorífico-congelador, embale-o nos elementos de poliestireno e papel alumínio e proteja-o com fita adesiva
- Limpe a superfície interior do frigorífico-congelador e os elementos do aparelho com um detergente dissolvido em água morna e seque.
- Coloque o frigorífico-congelador numa superfície plana, plana e estável, numa sala seca, ventilada e sombreada, longe de fontes de calor como: forno, placa, radiadores de aquecimento central, tubos de aquecimento central, instalação de água quente, etc.
- Pode haver uma película protetora na parte externa do produto, essas películas devem ser removidas.
- Certifique-se de que o dispositivo é colocado numa posição horizontal parafusando as 2 pernas dianteiras ajustáveis (fig. 3)
- Para garantir que a porta se abra livremente, a distância entre o lado da unidade (no lado das dobradiças da porta) e a parede é mostrada na Figura 5.*
- Garantir a ventilação adequada da sala e a livre circulação de ar de todos os lados da unidade (fig. 6).*

Distâncias mínimas às fontes de calor

- dos fornos a gás eléctrico e outros - 30 mm,
- de fornos a óleo ou a carvão - 300 mm,
- de fornos embutidos - 50 mm

Se não for possível garantir as distâncias acima, forneça uma placa de isolamento adequada.

Aviso:

- A parede traseira do frigorífico, especialmente o condensador e outros elementos do sistema de arrefecimento, não deve entrar em contacto com outros elementos que possam danificá-lo (por exemplo, tubos de aquecimento central e tubos de abastecimento de água).
- É proibido reajustar ou modificar qualquer parte do dispositivo. É fundamental que o tubo capilar visível no poço do compressor não seja danificado. A mangueira não deve ser dobrada, alinhada ou enrolada.
- Se o tubo capilar for danificado pelo usuário, a garantia será anulada (fig. 8).
- Em alguns modelos, a alça é inserida no dispositivo, você deve parafusá-lo com sua própria chave de fenda,

Conexão de rede

- Antes de conectar, recomenda-se definir o controlador de temperatura como "OFF" ou outra posição que desconecte o dispositivo da fonte de alimentação (consulte a página que descreve o controlador).
- Este aparelho deve ser ligado a uma tomada CA de 220-240 V e 50 Hz. O soquete deve ser devidamente montado e fornecido com um tubo de proteção e um fusível de 10A.

- É uma exigência legal que o dispositivo esteja devidamente aterrado. O fabricante não é responsável por quaisquer danos ou prejuízos que possam resultar do incumprimento deste requisito.
- Não use adaptadores, barras de alimentação e cabos de extensão de dois fios. Se o cabo de extensão tiver de ser utilizado, deve estar equipado com um anel de proteção e uma tomada única e ter um certificado de segurança VDE/GS.
- Se for utilizado um cabo de extensão (com um anel de proteção e um certificado de segurança), a sua saída deve estar a uma distância segura dos lavatórios e não deve estar num local onde possa ser inundado por água ou esgoto.
- Para obter especificações detalhadas, consulte a placa tipo na parte inferior da parede interna do dispositivo **.

Desconexão da rede elétrica

Certifique-se de que o aparelho pode ser facilmente desligado da rede elétrica, desligando-o da tomada ou desligando o interruptor de dois polos (fig. 9).

Área climática

As informações sobre a faixa climática do dispositivo podem ser encontradas na placa tipo. Indica a temperatura ambiente (ou seja, a temperatura ambiente em que o dispositivo opera) o funcionamento do dispositivo é ideal (correto).

Classe climática		Temperatura ambiente admissível
SN	Temperado Avançado	Esta unidade de arrefecimento destina-se a ser utilizada a uma temperatura ambiente compreendida entre 10 °C e 32 °C
N	Temperado	Esta unidade de arrefecimento destina-se a ser utilizada a uma temperatura ambiente compreendida entre 16 °C e 32 °C
ST	Subtropical	Esta unidade de arrefecimento destina-se a ser utilizada a uma temperatura ambiente compreendida entre 16 °C e 38 °C
T	Tropical	Esta unidade de arrefecimento destina-se a ser utilizada a uma temperatura ambiente compreendida entre 16 °C e 43 °C

* Apenas dispositivos independentes

** Dependendo do modelo

DESEMBRULHAR



Durante o transporte, foram utilizadas embalagens protetoras para proteger o dispositivo de danos. Após a desembalagem, elimine todos os elementos da embalagem de forma a não agredir o ambiente.

Todos os materiais utilizados para a embalagem do dispositivo são ecologicamente corretos. São 100% recicláveis e marcados com o símbolo apropriado.

Importante! Os materiais de embalagem (sacos, polietileno, poliestireno, etc.) devem ser mantidos longe das crianças ao desembalar.

DESCARTE DE EQUIPAMENTOS ANTIGOS



De acordo com a Diretiva Europeia 2012/19/UE e a legislação local sobre resíduos de equipamentos elétricos e eletrônicos, este equipamento está marcado com o símbolo do contentor de resíduos riscado. Esta marcação indica que o aparelho não deve ser eliminado juntamente com outros resíduos domésticos após a utilização.

O usuário é obrigado a entregá-los a um ponto de coleta de resíduos que coleta equipamentos eletroeletrônicos usados. Os coletores, incluindo pontos de coleta locais, lojas e autoridades locais, oferecem sistemas de reciclagem.

O manuseio adequado de equipamentos elétricos e eletrônicos usados ajuda a evitar riscos ambientais e à saúde decorrentes da presença de componentes perigosos e do armazenamento e processamento inadequados desses bens.

CONTROLES



1. Na primeira vez que liga o aparelho, este funciona sempre nas configurações: 5°C para frigorífico, 0°C para My Zone e -18°C para congelador. Se desejar ajustar a temperatura ou funções manualmente, pressione o botão para realizar as operações. Faixas de temperatura da zona de adaptação de -3 °C a 3 °C.
2. Ajuste da temperatura do refrigerador – pressione o botão ④ na parte esquerda do painel de controle para atingir diferentes temperaturas de 2°C a 8°C.
3. Ajuste da temperatura do freezer – pressione o botão ⑤ na parte direita do painel de controle para atingir diferentes temperaturas de -15°C a -25°C.
4. Função de ajuste da gaveta My Zone: este botão ① controla a temperatura. Ao pressionar este botão, o dígito passará de -3° a +3°. Esta função pode ser ligada/desligada pressionando continuamente por três segundos.
5. Função de resfriamento rápido – Pressione o botão ②, a luz do botão acende e a função de resfriamento rápido é ligada, o refrigerador começa a funcionar automaticamente na configuração de temperatura 2 °C e desliga após 24 horas, a luz do símbolo apaga.
6. Função férias – Pressione o botão ③, a luz do botão acende, a função férias é ligada e todo o aparelho começa a funcionar automaticamente nas configurações: geladeira a 17 °C e freezer a -18 °C.
7. Função Eco - Pressione o botão ⑥ no painel de controle, a função Eco é ativada e o botão acende, o compartimento do refrigerador funciona na configuração de 5°C e o compartimento do freezer funciona na configuração de -18°C. A zona de adaptação funciona na configuração de 3°C.
8. Função de congelamento rápido - Pressione o botão ⑦, a luz do botão acende e o freezer começa a funcionar na função de congelamento rápido, configuração de temperatura -25 °C. Após 24 horas, a função de congelamento rápido é encerrada automaticamente.
9. Pressione o botão ⑧ por 3 segundos para desligar o aparelho e o botão acende, a energia é cortada. As lâmpadas internas são apagadas, o compressor para de funcionar. Pressione o botão ⑧ por 3 segundos para ligar o aparelho, o símbolo acende e a energia é conectada novamente.

Informações adicionais sobre a temperatura

- A temperatura dentro do aparelho é influenciada por muitos fatores. A forma como você ajusta o botão de controle de temperatura depende da temperatura ambiente, da exposição ao sol, da frequência com que você abre a porta e da quantidade de alimentos armazenados. A configuração intermediária do dial é ideal na maioria dos casos.
- Não coloque alimentos no frigorífico antes de atingirem a temperatura de funcionamento, o que demora no mínimo 4 horas.
- Não altere as configurações de temperatura devido à mudança da estação do ano. O aumento da temperatura ambiente será detectado pelo sensor e o compressor será ligado automaticamente por um maior período de tempo para manter a temperatura configurada no interior das câmaras.
- As ligeiras alterações de temperatura são perfeitamente normais e podem ocorrer, por exemplo, durante o armazenamento de grandes quantidades de produtos frescos no frigorífico, ou quando a porta fica aberta durante um longo período de tempo. , e a temperatura retornará rapidamente ao valor definido.

Erro de código

Este aparelho possui a função de 'exibição de falhas e alarme'. Assim que os sensores apresentarem falha, serão exibidos alarmes na exibição da temperatura, o aparelho ainda esfria, mas um engenheiro de serviço profissional deve ser chamado e verificar o aparelho.

F2 – Sensor de zona de adaptação

F3 – Sensor do compartimento frigorífico

F4 – Sensor do compartimento congelador

F5 – Sensor de degelo

2E – Falha no ventilador/motor do freezer

CE – Falha de comunicação entre o painel principal e o painel de visualização. Os erros acima são exibidos apenas no display, sem voz


Alarme de temperatura excessiva no freezer: após a temperatura do freezer atingir a temperatura configurada, após isso, se a temperatura subir para $>1^{\circ}\text{C}$, o alarme será acionado, acompanhado de flash do dígito da temperatura do freezer. Pressione qualquer botão para cancelar o alarme por voz. O flash permanecerá até que a temperatura seja $<-1^{\circ}\text{C}$.

PS: A placa principal está localizada no compartimento do compressor

OPERAÇÃO E FUNÇÕES

Armazenamento de alimentos no frigorífico-congelador


- Os produtos devem ser embalados em pratos, em recipientes ou em papel alumínio. Espalhe-os uniformemente nas prateleiras.
- Se o alimento entrar em contato com a parede traseira, pode ocorrer congelamento ou umedecimento dos produtos.
- Não coloque pratos com alimentos quentes na geladeira
- Produtos que absorvem facilmente sabores, como manteiga, leite, queijo branco e produtos com sabor intenso, como peixes, carnes defumadas, queijos duros, devem ser colocados em prateleiras, embalados em embalagens de alimentos ou armazenados em recipientes bem fechados.
- O armazenamento de vegetais contendo quantidades significativas de água levará à deposição de condensação nos recipientes de vegetais e não interferirá no bom funcionamento da geladeira.
- Antes de colocar os legumes na geladeira, seque-os bem.
- A umidade excessiva encurta a vida útil dos vegetais, especialmente as folhas verdes.
- Não lave os legumes antes de guardá-los na geladeira. A lavagem remove a proteção natural, por isso é melhor lavar os vegetais antes de comer.
- Recomenda-se colocar os produtos nas gavetas do congelador 1, 2, 3* até a capacidade de carga natural (Fig. 11a / 11b).**

1. Produtos embalados
2. Prateleira
3. Resiliência natural
4. 

- O empilhamento de produtos nas prateleiras do congelador é aceitável.*
- É permitido colocar produtos 20-30 mm fora da capacidade de carga natural.**
- Para aumentar a capacidade de carga da câmara do congelador e permitir que os produtos sejam empilhados nas prateleiras de arame do evaporador do congelador até a altura máxima, é possível remover as gavetas 1 e 2.*

Congelamento de alimentos **


- Praticamente todos os alimentos, com exceção dos vegetais consumidos crus, como a alface, podem ser congelados.
- Apenas produtos alimentícios da mais alta qualidade, divididos em pequenas porções de uso único, devem ser congelados.
- Os produtos devem ser embalados em materiais inodoros, resistentes à penetração de ar e umidade e não suscetíveis à gordura. Sacos plásticos, folhas de polietileno e alumínio são os melhores materiais de embalagem.
- A embalagem deve ser apertada e deve grudar nos produtos congelados. Não utilize recipientes de vidro.
- Mantenha os alimentos frescos e quentes à temperatura ambiente, longe dos produtos que já estão congelados.
- Recomendamos que você não coloque mais alimentos frescos no freezer por dia (consulte a tabela de especificações técnicas).
- Para obter uma qualidade ideal de alimentos congelados, disponha o alimento que está no centro do freezer para que ele não toque nos produtos que ainda não foram congelados.
- Recomenda-se empurrar os produtos já congelados para o lado e colocar os produtos frescos que estão planejados para serem congelados no lado oposto, o mais próximo possível das paredes traseiras e laterais.

- Para congelar produtos, use a sala marcada  .
- Tenha em mente que a temperatura no freezer é afetada por vários fatores, incluindo a temperatura ambiente e a quantidade de alimentos na câmara, a frequência de abertura da porta, a quantidade de gelo no freezer e a configuração do termostato.
- Se você não conseguir abrir a porta do freezer imediatamente após o fechamento, aguarde 1-2 minutos para que a pressão negativa equalize e tente abrir a porta novamente.

O tempo de armazenamento dos produtos congelados depende da sua qualidade antes do congelamento no estado fresco e da temperatura de armazenamento. Os seguintes períodos de armazenamento são recomendados se a temperatura for mantida em -18 °C ou inferior:

Produtos	Meses
Carne de vaca	6-8
Vitela	3-6
Miudezas	1-2
Carne de porco	3-6
Aves de capoeira	6-8
Ovo	3-6
Peixe	3-6
Legume	10-12
Fruta	10-12

Não guarde alimentos congelados em uma câmara de resfriamento por explosão. Cubos de gelo podem ser preparados e armazenados nesta câmara.

Nota: Se o aparelho não tiver um compartimento congelador (), não é adequado para congelar alimentos.

* Aplicável a aparelhos com um compartimento congelador na parte inferior do aparelho.

** Aplicável a aparelhos com compartimento congelador 

Não se aplica a aparelhos com um compartimento congelador marcado 

USANDO A GELADEIRA DE FORMA EFICIENTE

Dicas práticas para o dia a dia

- Não coloque geladeiras ou freezers perto de radiadores, aquecedores, fornos ou luz solar direta.
- Certifique-se de que as aberturas não estão cobertas e remova a poeira uma ou duas vezes por ano.
- Escolha a temperatura certa: 6 a 8 °C na geladeira e -18 °C no freezer são suficientes.
- Se você estiver de férias, aumente a temperatura em sua geladeira.
- Não abra o frigorífico ou congelador, a menos que seja necessário. Ajuda se você souber quais alimentos cada um contém e onde ele está localizado. Coloque os alimentos de volta na geladeira ou freezer o mais rápido possível após o uso para que não aqueça muito.
- Limpe o interior da geladeira regularmente com um pano embebido em detergente neutro. Os aparelhos que não são autodescongelantes devem ser descongelados regularmente. Não permita que apareçam camadas de gelo com espessura superior a 10 mm.
- Mantenha a junta ao redor da porta limpa, caso contrário, ela não fechará corretamente. Substitua sempre juntas defeituosas.

Entendendo as estrelas



A temperatura é de pelo menos -6°C, suficiente para armazenar alimentos congelados por cerca de uma semana. Gavetas ou compartimentos marcados com um asterisco costumavam ser uma característica de geladeiras (principalmente) mais baratas.



Os alimentos podem ser armazenados a -12°C ou abaixo por 1-2 semanas sem perder o sabor. Não é adequado para congelar alimentos.



Esta classificação é usada principalmente para armazenar alimentos a -18 °C ou menos. Também pode ser usado para congelar até 1 kg de alimentos frescos.



Este aparelho é adequado para armazenar alimentos a -18°C ou abaixo e congelar maiores quantidades de alimentos frescos.

Dicas práticas

Devido à circulação natural de ar no dispositivo, existem diferentes zonas de temperatura no compartimento do refrigerador.

- A área mais fria fica logo acima das gavetas de legumes. Use esta seção para todos os alimentos delicados e perecíveis, tais como:
 - Peixe, carne, aves de capoeira
 - Carnes curadas, refeições prontas
 - Artigos de mesa ou de padaria que contenham ovos ou natas
 - Massa fresca, misturas para bolo
 - Os vegetais pré-embalados e outros alimentos frescos com rótulo devem ser armazenados a uma temperatura de cerca de 4°C.

A área mais quente está localizada na área superior da porta. Use isso para armazenar manteiga e Queijo.

Alimentos que não devem ser guardados na geladeira

- Nem todos os alimentos são adequados para serem armazenados na geladeira, principalmente:
 - Frutas e vegetais sensíveis ao frio, como banana, abacate, mamão, maracujá, berinjela, pimentão, tomate e pepino.
 - Fruta que ainda não está madura
 - Batatas

Aviso:

Exemplo de armazenamento de alimentos - veja abaixo

Para conseguir a conservação mais eficaz dos alimentos durante o maior tempo possível e evitar o desperdício de alimentos, posicione os produtos conforme mostrado na Figura 12. Além disso, esta figura ilustra a disposição das gavetas, cestos e prateleiras, o que permite a utilização mais eficiente dos alimentos. energia.

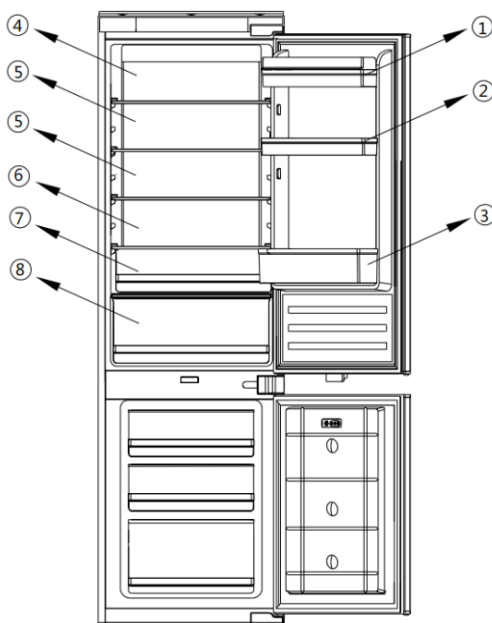
A temperatura ideal e as condições de armazenamento prolongarão a vida útil do produto e otimizarão o consumo de eletricidade. A faixa ideal de temperatura de armazenamento deve ser indicada na embalagem do produto alimentício.

A seção da geladeira é para armazenamento de alimentos por curto prazo. Embora as temperaturas baixas possam ser mantidas, não são recomendados períodos prolongados de armazenamento de alimentos. À medida que o ar frio circula dentro do frigorífico, a temperatura pode variar entre as diferentes secções. Como tal, os alimentos devem ser armazenados em secções diferentes de acordo com o tipo.

1. Manteiga, queijos etc.
2. Comida em potes e garrafas
3. Bebidas, por ex. leite
4. Comida cozida
5. Iogurtes, conservas etc.
6. Garrafas de 75cl ou refeições prontas etc.
7. Frutas e vegetais
8. Carne e peixe frescos/frutas e legumes

As prateleiras do frigorífico podem ser movidas de acordo com os requisitos de armazenamento na secção do frigorífico. Para mover a prateleira, levante a parte traseira e puxe-a para fora.

A configuração com maior economia de energia exige que gavetas, caixa de alimentos e prateleiras sejam posicionadas no produto, consulte as fotos acima.



DESCONGELAMENTO, LAVAGEM E CUIDADOS

Nunca limpe a carcaça ou as partes plásticas do produto com solventes ou agentes de limpeza abrasivos fortes (por exemplo, sabão em pó ou cremes)! Use apenas detergentes líquidos suaves e panos macios. Não use esponjas.

Descongele a geladeira ***

- A geada se instala na parede traseira da câmara de resfriamento. Ele será removido automaticamente. Durante o descongelamento, o condensado contendo contaminação pode obstruir a abertura na passagem. Se este for o caso, limpe cuidadosamente a abertura com o plugue de limpeza (fig. 13).
- O dispositivo funciona em ciclos: esfria (então a geada se instala na parede traseira) e descongela (a água flui pela parede dos fundos)
- Antes de limpar, desligue o aparelho da rede eléctrica desligando-o da tomada ou desligando o fusível. Evite que a água entre no painel de controle ou na luminária.
- Não utilize aerossóis de descongelamento. Eles podem causar uma mistura explosiva ou conter solventes que podem danificar as partes plásticas do dispositivo e até mesmo ser prejudiciais à saúde.
- Certifique-se de que a água utilizada para a limpeza não flui através da abertura de saída para o tanque de evaporação.
- Todo o dispositivo, com excepção do selo da porta, deve ser limpo com detergente neutro. A vedação da porta deve ser limpa com água e enxugada.
- Lave todos os acessórios (recipientes de vegetais, prateleiras de portas, prateleiras de vidro, etc.).

Descongele a câmara congeladora da seguinte forma:**

- Ligue o dispositivo usando o painel de controle e remova o plugue da tomada.
- Abra a porta e retire os alimentos do congelador.
- Dependendo do modelo, retire a mangueira de drenagem, que está localizada na parte inferior do compartimento do congelador, e coloque um recipiente adequado sob ela.
- Deixe a porta aberta, isso acelerará o processo de descongelamento. Além disso, uma panela de água quente (não fervendo) pode ser colocada no congelador.
- Lave o interior do congelador e seque.
- Ligue o dispositivo de acordo com o item correspondente no manual de instruções.

Descongelamento automático da geladeira****

A câmara de resfriamento foi equipada com uma função de degelo automático. No entanto, a geada pode se instalar na parede dos fundos da câmara fria. Isso geralmente acontece quando grandes quantidades de alimentos frescos são armazenadas na geladeira.

Descongelamento automático do congelador *****

A câmara de congelamento está equipada com uma função de degelo automático (No-Frost). No ar circulante resfriado, o alimento é congelado e a umidade é dissipada da câmara de congelamento para o exterior. Como resultado, não há gelo e geada no congelador, e os produtos não congelam uns contra os outros.

Lavar a geladeira e a câmara do freezer manualmente *****

Recomenda-se lavar as câmaras de refrigeração e congelamento pelo menos uma vez por ano. Isso evita a formação de bactérias e maus odores. Desligue o aparelho com o botão (1), retire os alimentos das câmaras e lave-os com água e detergente neutro. Em seguida, limpe as câmaras com um pano.

Tire e coloque nas prateleiras *****

Deslize a prateleira para fora e, em seguida, deslize-a o mais longe possível para que a braçadeira se encaixe no sulco da guia (fig. 15).

Remoção e inserção da prateleira da porta *****

Levante a prateleira da porta, retire-a e devolva-a à posição desejada de cima (fig. 16).

AVISO! Em nenhum caso você deve colocar um aquecedor elétrico, aquecedor com ventilador ou secador de cabelo no congelador.

** Aplicável a aparelhos com compartimento congelador

Não se aplica a dispositivos com sistema frost-free.

*** Aplicável a aparelhos com compartimento frigorífico

Não se aplica a dispositivos com sistema frost-free.

**** Aplicável para dispositivos com sistema frost-free.

***** Não se aplica a congeladores

SOLUCIONANDO PROBLEMAS

Problemas	Possíveis causas	Remédio
O dispositivo não funciona	O circuito está quebrado	<ul style="list-style-type: none"> - Verifique se o plugue está inserido corretamente na tomada - Verifique se o cabo de alimentação do dispositivo não está danificado - Verifique se há tensão na tomada conectando outro dispositivo, como uma lâmpada noturna - Verifique se o aparelho está ligado ajustando o termostato para uma posição superior a 0.
A iluminação na câmara não funciona	A lâmpada está solta ou fundida (apenas dispositivos com iluminação de lâmpada)	<ul style="list-style-type: none"> - Insira a lâmpada corretamente ou substitua-a (veja a seção acima "Substituindo a lâmpada de iluminação interna")
	Ajuste incorreto do botão de ajuste	<ul style="list-style-type: none"> - Redefinir o botão para uma posição mais baixa
O dispositivo funciona continuamente	Ver. "A temperatura dentro do aparelho não é baixa o suficiente para descrever outras possíveis causas"	Ver. "A temperatura dentro do dispositivo não é baixa o suficiente para descrever outros possíveis remédios"
A água é coletada na parte inferior do dispositivo	O orifício de saída de água está entupido (dependendo do modelo)	<ul style="list-style-type: none"> - Limpe a abertura da bica (veja instruções de operação – capítulo "Descongelando a geladeira")
	Circulação interna de ar obstruída	<ul style="list-style-type: none"> - Coloque os alimentos e recipientes para que não toquem na parede traseira da geladeira
O dispositivo produz ruídos incomuns	Nivelamento incorreto do dispositivo	<ul style="list-style-type: none"> - Nivele o dispositivo corretamente
	O aparelho toca móveis e/ou outros objetos	<ul style="list-style-type: none"> - Coloque o aparelho num local onde seja assegurada uma distância suficiente

Problemas	Possíveis causas	Remédio
	Ajuste incorreto do botão de ajuste	- Redefinir o botão para uma posição mais alta
	A temperatura ambiente é maior ou menor do que a faixa climática da Tabela de Especificações Técnicas	- O dispositivo é adaptado para operação na faixa climática a partir da tabela com especificações técnicas.
	O dispositivo está localizado em um lugar iluminado pelo sol ou perto de fontes de calor	- Mova o dispositivo para outro local. Observe as orientações contidas no manual de instruções
	Muita comida quente carregada de uma só vez	- Aguarde 72 horas para que o alimento esfrie (congele) e atinja a temperatura desejada na câmara
A temperatura dentro do dispositivo não é baixa o suficiente ou muito alta	Circulação interna de ar obstruída	- Coloque os alimentos e recipientes para que não toquem na parede traseira da geladeira
	A circulação de ar na parte traseira do dispositivo está obstruída	- Coloque o dispositivo a pelo menos 30 mm da parede
	A porta do frigorífico/congelador é aberta com demasiada frequência e/ou deixada aberta durante demasiado tempo	- Reduzir a frequência de abertura da porta e/ou diminuir o tempo que a porta permanece aberta
	A porta não fecha completamente	- Coloque os alimentos e recipientes para que não interfiram na porta fechada
	O compressor é ligado muito raramente	- Verifique se a temperatura ambiente não é inferior à classe climática
	Junta da porta inserida incorretamente	- Prensa na junta

Durante o uso normal da geladeira, são ouvidos certos ruídos que não interferem no seu bom funcionamento.

Ruídos fáceis de prevenir:

- Ruído causado pelo dispositivo que não está nivelado - ajuste a posição com os pés de direção ajustáveis. Alternativamente, você pode colocar almofadas feitas de material macio sob os rolos traseiros, especialmente se o dispositivo for colocado em telhas.
- Toque no móvel adjacente - guarde a geladeira.
- Ranger as gavetas ou prateleiras - Retire a gaveta ou prateleira e coloque-a novamente.
- Sons de garrafas piscando - Empurre garrafas separadas.

O ruído ouvido durante o uso normal é principalmente devido ao funcionamento do termostato, compressor (ligado) e sistema de resfriamento (expansão térmica e contração do radiador devido ao fluxo do líquido de arrefecimento).

INSTRUÇÃO DE INSTALAÇÃO

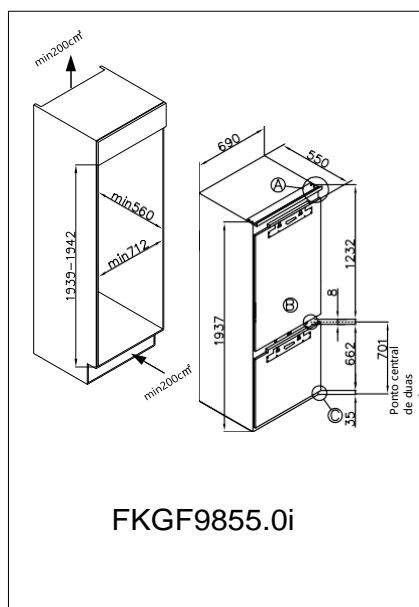
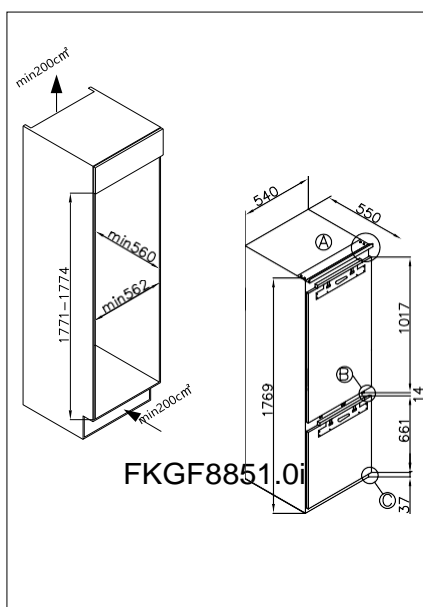
Preparação de instalação

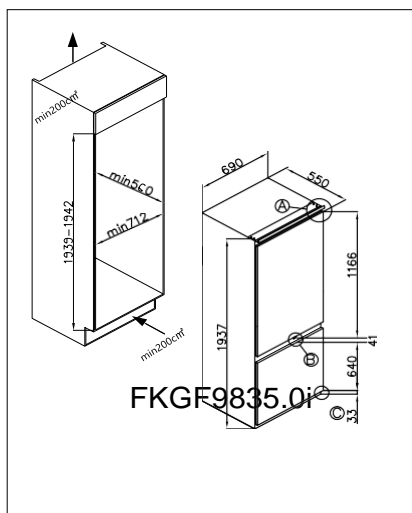
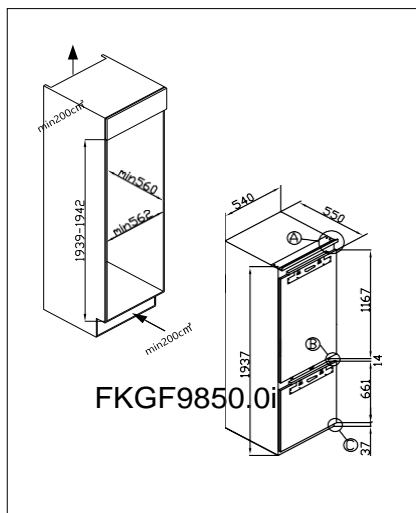
Este aparelho nunca deve ser instalado perto de fontes de calor, por ex. elementos de aquecimento ou fogões, nem em locais húmidos.

Procure a ajuda de outra pessoa, ou duas, ao instalar este aparelho. Este aparelho pode ter arestas vivas. Use EPI adequado para a tarefa e o ambiente.

- Para garantir que o aparelho esteja nivelado, você deve usar os pés ajustáveis em altura na parte frontal do aparelho.
- O sistema de refrigeração na parte traseira do aparelho não deve tocar na parede traseira. Quanto maior a lacuna, melhor.
- O aparelho deve ser instalado com ventilação adequada. Certifique-se de que existe espaço acima do aparelho para permitir a saída do ar e que existe espaço entre a parte traseira do aparelho e a parede.

Desenho de instalação

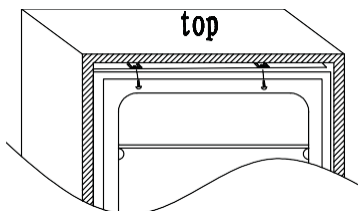
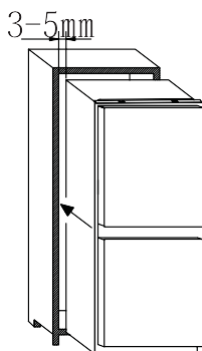




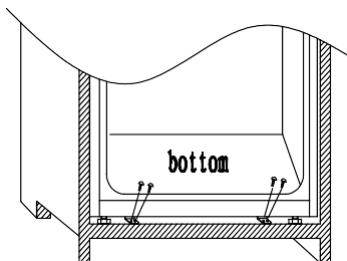
Instruções de instalação (dobradiça deslizante)

1) Insira o aparelho no móvel de madeira, colocando-o no lado oposto das dobradiças, e certifique-se de que haja uma distância de 3-5 mm.

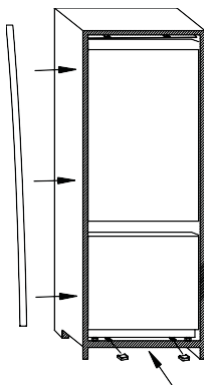
2) Depois garantindo o correspondência entre utensilio porta e coluna porta, então parafuso a parte superior do aparelho ao armário.



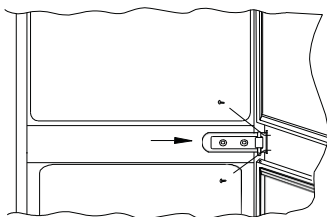
- 3) Aparafuse a parte inferior do aparelho.



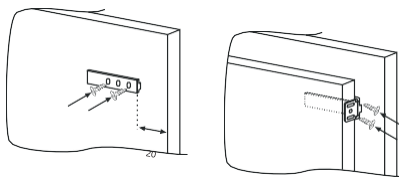
- 4) Coloque a vedação no aparelho, corte o excesso se necessário. Encaixe as partes inferiores com tampas plásticas.



- 5) Use uma chave de fenda cruzada para afrouxar o pino de conexão abaixo da dobradiça central direita e ajuste para aparafusar na parede direita do gabinete.

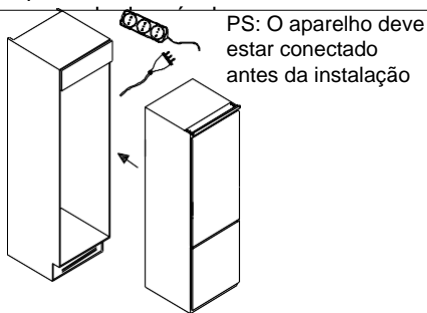


- 6) Fixe o controle deslizante e a base do controle deslizante na porta de madeira e na porta do aparelho

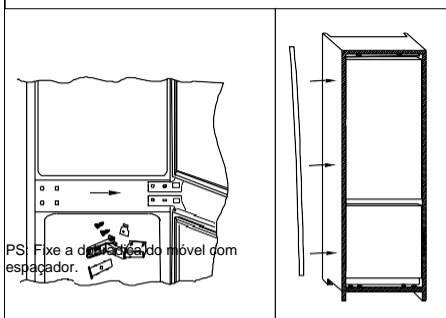


Instruções de instalação (dobradiça FIX)

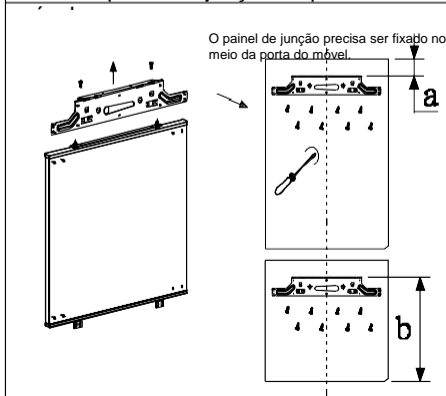
1. Empurre o aparelho contra o móvel de madeira, o aparelho deve aproximar-se melhor do lado



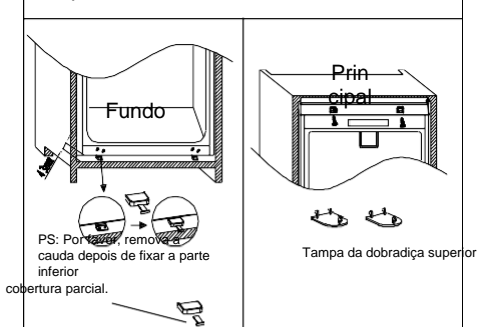
3. Fixe a dobradiça no móvel por meio de parafuso, fixando a faixa decorativa no lado esquerdo do produto.



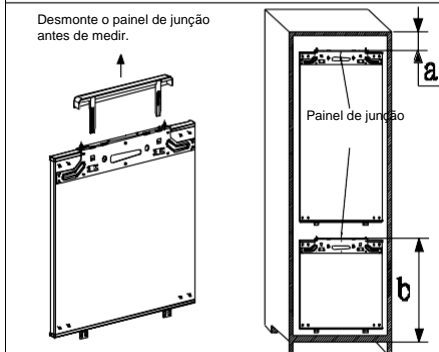
5. Fixe o painel de junção na porta do



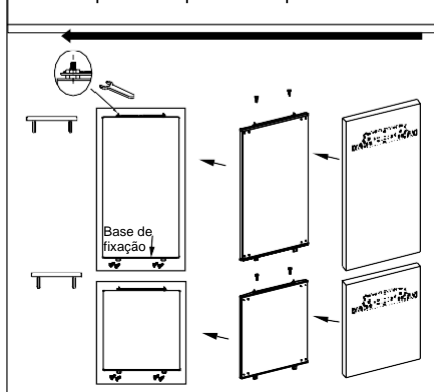
2. Ajuste a posição do aparelho, aparafuse a parte superior e inferior do produto no móvel



4. Meça a dimensão em a e b.



6. Fixe a porta do aparelho na porta do móvel.



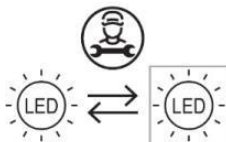
Inhoud

RICHTLIJNEN BETREFFENDE DE VEILIGHEID VAN GEBRUIK	112
INSTALLATIE- EN BEDRIJFSOMSTANDIGHEDEN VAN HET APPARAAT.....	118
UITPAKKEN.....	119
VERWIJDERING VAN OUD APPARAAT	119
BEDIENINGEN.....	120
BEDIENING EN FUNCTIES.....	121
DE KOELKAST EFFICIËNT GEBRUIKEN	124
ONTDOOIEN, WASSEN EN ONDERHOUD.....	125
PROBLEEMOPLOSSEN	127
INSTALLATIE INSTRUCTIE	129

RICHTLIJNEN BETREFFENDE DE VEILIGHEID VAN GEBRUIK

- Het apparaat is uitsluitend bedoeld voor huishoudelijk gebruik.
- De fabrikant behoudt zich het recht voor om wijzigingen aan te brengen die geen invloed hebben op de werking van het apparaat.
- Sommige bepalingen in deze gebruikershandleiding zijn uniform voor het koelen van producten van verschillende typen (voor een koelkast, koel-vriescombinatie of vriezer)
- De Fabrikant kan niet aansprakelijk worden gesteld voor schade die voortvloeit uit het niet naleven van de instructies in deze handleiding.
- Bewaar deze handleiding voor toekomstig gebruik of om hem aan de volgende gebruiker te geven.
- Dit apparaat is niet bedoeld voor gebruik door personen (inclusief kinderen) met beperkte fysieke of mentale capaciteiten en personen die geen ervaring of vertrouwdheid met het apparaat hebben.
- Laat kinderen het apparaat niet gebruiken. Laat ze niet met het apparaat spelen. Ze mogen niet in de laden klimmen en aan de deuren zwaaien.
- Het apparaat werkt goed bij de omgevingstemperatuur (zie productkaart). Gebruik het niet in de kelder of in een onverwarmd zomerhuisje tijdens de herfst en winter.
- Houd bij het plaatsen, verplaatsen of optillen van het apparaat niet de deurgrepen vast, trek niet aan de condensor aan de achterkant van de koelkast en raak de compressoreenheid niet aan.
- Wanneer u de koel-vriescombinatie vervoert, verplaatst of positioneert, mag u deze niet meer dan 40° kantelen ten opzichte van de verticale positie. Mocht een dergelijke situatie zich voordoen, dan moet het apparaat minimaal 2 uur na plaatsing in de juiste positie worden ingeschakeld.
- Trek vóór iedere onderhoudsbeurt de stekker uit het stopcontact. Trek niet aan het snoer, maar houd het lichaam van de stekker vast.
- Het “krakende” geluid dat het apparaat kan voortbrengen, wordt veroorzaakt door het uitzetten en inkrimpen van onderdelen als gevolg van temperatuurschommelingen.
- Om veiligheidsredenen mag u het apparaat niet zelf repareren. Reparaties uitgevoerd door personen die niet over de vereiste kwalificaties beschikken, kunnen leiden tot ernstig gevaar voor de gebruiker van het apparaat.

- Lucht de ruimte waarin het apparaat staat gedurende enkele minuten (de grootte van de ruimte voor een product dat isobutaan/R600a bevat moet minimaal 4 m³ zijn) om schade aan het koelsysteem te voorkomen.
- Gedeeltelijk ontdooide producten niet opnieuw invriezen.
- Bewaar geen dranken in flessen en blikjes, en vooral geen koolzuurhoudende dranken, in de vriesruimte. De blikjes en flessen kunnen ontploffen.
- Plaats geen bevroren producten die rechtstreeks uit de vriezer komen (lollies, ijsblokjes, enz.) in uw mond; de lage temperatuur ervan kan ernstige bevriezing veroorzaken.
- Zorg ervoor dat u het koelsysteem niet beschadigt door de koelmiddelleidingen in de verdamper te doorboren of te breken. Het koelmiddel is brandbaar. Als het koelmiddel in contact komt met de ogen, spoel ze dan uit met schoon water en roep onmiddellijk medische hulp in.
- Als de stroomkabel kapot gaat, moet deze in een gespecialiseerde reparatiewerkplaats door een nieuwe worden vervangen.
- Dit apparaat is bedoeld voor het bewaren van voedsel; gebruik het niet voor andere doeleinden.
- Bij het uitvoeren van werkzaamheden, zoals schoonmaken, onderhoud of verhuizen, moet het apparaat volledig losgekoppeld zijn van de stroomvoorziening (door de stekker uit het stopcontact te trekken)
- Dit apparaat kan worden gebruikt door kinderen van 8 jaar en ouder of door personen met een lichamelijke, geestelijke of zintuiglijke beperking, of door personen die onervaren zijn of niet vertrouwd zijn met het apparaat, op voorwaarde dat zij onder toezicht staan of zijn geïnstrueerd hoe zij het apparaat veilig kunnen gebruiken. apparaat en zijn bekend met de risico's die verbonden zijn aan het gebruik van het apparaat. Zorg ervoor dat kinderen niet met het apparaat spelen. Het reinigen en onderhouden van het apparaat mag niet door kinderen worden uitgevoerd, tenzij ze 8 jaar of ouder zijn en onder toezicht staan van een bevoegd persoon.
- Om meer ruimte in de vriezer te krijgen, kunt u de laden verwijderen en het voedsel direct op de planken plaatsen. Dit heeft geen invloed op de mechanische eigenschappen en koelprestaties van het product. De aangegeven diepvriescapaciteit werd berekend terwijl de laden waren verwijderd.
- Dit product bevat een lichtbron, vervangbare (alleen LED) lichtbron door een professional.





WAARSCHUWING: Risico op brand / brandbare materialen

- Kinderen van 3 tot 8 jaar mogen koelapparaten in- en uitladen.

Om besmetting van voedsel te voorkomen, dient u de volgende instructies te respecteren:

- Het langdurig openen van de deur kan een aanzienlijke stijging van de temperatuur in de compartimenten van het apparaat veroorzaken.
- Reinig regelmatig oppervlakken die in contact kunnen komen met voedsel en toegankelijke afvoersystemen.
- Bewaar rauw vlees en vis in geschikte containers in de koelkast, zodat het niet in contact komt met of op ander voedsel druppelt.
- Tweesterren-diepvriesvakken zijn geschikt voor het bewaren van voorgevroren levensmiddelen, het bewaren of maken van ijs en het maken van ijsblokjes.
- Eén-, twee- en driesterrencompartimenten zijn niet geschikt voor het invriezen van verse levensmiddelen.

	Compartimenten TYPE	Doel opslagtemp.[OC]	Passend eten
1	Koelkast	+2≤+8	Eieren, gekookt voedsel, verpakt voedsel, fruit en groenten, zuivelproducten, cakes, dranken en andere voedingsmiddelen zijn niet geschikt om in te vriezen.
2	Diepvries	≤-18	Zeevruchten (vis, garnalen, schaaldieren), zoetwaterwaterproducten en vleesproducten (aanbevolen voor 3 maanden, hoe langer de bewaartijd, hoe slechter de smaak en voeding), geschikt voor diepgevroren vers voedsel.
3	Diepvries	≤-18	Zeevruchten (vis, garnalen, schaaldieren), zoetwaterwaterproducten en vleesproducten (aanbevolen voor 3 maanden, hoe langer de bewaartijd, hoe slechter de smaak en voeding), zijn niet geschikt voor vers ingevroren voedsel.
4	Diepvries	≤-12	Zeevruchten (vis, garnalen, schaaldieren), zoetwaterwaterproducten en vleesproducten (aanbevolen voor 2 maanden, hoe langer de bewaartijd, hoe slechter de smaak en voeding), zijn niet geschikt voor diepgevroren vers voedsel

5	Diepvries	≤ -6	Zeevruchten (vis, garnalen, schaaldieren), zoetwaterwaterproducten en vleesproducten (aanbevolen voor 1 maand, hoe langer de bewaartijd, hoe slechter de smaak en voeding), zijn niet geschikt voor diepgevroren vers voedsel.
6	0-sterren compartiment	$-6 \leq 0$	Vers varkensvlees, rundvlees, vis, kip, sommige verpakte bewerkte voedingsmiddelen, enz. (Aanbevolen om op dezelfde dag te eten, bij voorkeur niet meer dan 3 dagen). Gedeeltelijk ingekapselde bewerkte voedingsmiddelen (niet-invriesbare voedingsmiddelen)
7	Kilte	$2 \leq +3$	Vers/bevroren varkensvlees, rundvlees, kip, zoetwaterproducten enz. (7 dagen onder 0°C en boven 0°C wordt aanbevolen voor consumptie binnen die dag, bij voorkeur niet langer dan 2 dagen). Zeevruchten (minder dan 0 gedurende 15 dagen, het wordt niet aanbevolen om boven 0°C te bewaren)
8	Vers voedsel	$0 \leq +4$	Vers varkensvlees, rundvlees, vis, kip, gekookt voedsel, enz. (Aanbevolen om op dezelfde dag te eten, bij voorkeur niet meer dan 3 dagen)
9	Wijn	$+5 \leq +20$	rode wijn, witte wijn, mousserende wijn enz.

- Let op: bewaar verschillende soorten voedsel, afhankelijk van de compartimenten of de beoogde bewaartemperatuur van de door u gekochte producten.
- Als het koelapparaat langere tijd leeg blijft staan, schakel het dan uit, ontdooi het, maak het schoon, droog het en laat de deur open staan om schimmelvorming in het apparaat te voorkomen.
- Reiniging van waterdispensers (speciaal voor waterdispenserproducten): Maak watertanks schoon als deze 48 uur niet zijn gebruikt; spoel het watersysteem aangesloten op een watertoevoer door als er gedurende 5 dagen geen water is getapt.
- Volgens Verordening (EU) 2019/2019 van de Commissie bedraagt de minimale beschikbaarheidsperiode voor reserveonderdelen die nodig zijn om het apparaat te repareren 7 of 10 jaar, afhankelijk van het type en het doel van het reserveonderdeel.
- De lijst met reserveonderdelen en de bestelprocedure zijn beschikbaar op de websites van de fabrikant, importeur of een geautoriseerde vertegenwoordiger.
- Voor meer informatie over het product kunt u de EU EPREL-productdatabase raadplegen op <https://eprel.ec.europa.eu>. Voor meer informatie kunt u met uw mobiele apparaat de QR-code op het energielabel scannen of het productmodel dat op het energielabel staat, invoeren in de EPREL-zoekmachine <https://eprel.ec.europa.eu/>

INSTALLATIE- EN BEDRIJFSOMSTANDIGHEDEN VAN HET APPARAAT

Dit koelapparaat is bedoeld voor gebruik als inbouwapparaat.

Installatie vóór het eerste gebruik van het apparaat

- Haal het product uit de verpakking en verwijder het plakband dat de deur en de apparatuur beschermt. Eventuele resterende lijmvlakken kunnen met een mild middel worden verwijderd wasmiddel.
- Gooi de polystyreenelementen van de verpakking niet weg. Als het nodig is om de koel-vriescombinatie te vervoeren, verpak hem dan in de polystyreenelementen en folie en bescherm hem met plakband
- Reinig het binnenoppervlak van de koel-vriescombinatie en de onderdelen van de apparatuur met een wasmiddel opgelost in lauw water en veeg het vervolgens droog.
- Plaats de koel-vriescombinatie op een effen, vlakke en stabiele ondergrond, in een droge, geventileerde en schaduwrijke ruimte, ver van warmtebronnen zoals: oven, kookplaat, centrale verwarming radiatoren, CV-leidingen, warmwaterinstallatie, etc.
- Op de buitenzijde van het product kan zich een beschermfolie bevinden, deze folie dient verwijderd te worden.
- Zorg ervoor dat het apparaat horizontaal staat door de 2 verstelbare voorpoten vast te draaien.
- Zorg ervoor dat de afstand tussen de zijkant van het apparaat (aan de kant met de scharnieren van de deur) en de muur voldoende is, zodat de deur vrij kan openen.
- Zorg voor voldoende ventilatie van de kamer en een vrije luchtcirculatie van alle kanten van het apparaat.

Minimale afstanden tot de warmtebronnen

- van elektrisch gas en andere ovens - 30 mm,
- uit olie- of kolengestookte ovens - 300 mm,
- van ingebouwde ovens - 50 mm

Als het niet mogelijk is om bovengenoemde afstanden te garanderen, zorg dan voor een geschikte isolatieplaat.

Waarschuwing:

- De achterwand van de koelkast, in het bijzonder de condensor en andere elementen van het koelsysteem, mogen niet in contact komen met andere elementen kunnen deze beschadigen (bijvoorbeeld de leidingen van de centrale verwarming en de watertoevoerleidingen).
- Het is verboden onderdelen van het apparaat opnieuw af te stellen of te wijzigen. Het is van cruciaal belang dat u de capillaire buis die zichtbaar is in de uitsparing van de compressor niet beschadigt. De buis mag niet worden gebogen, rechtgetrokken of opgewikkeld.
- Als het capillaire buisje door de gebruiker wordt beschadigd, vervalt de garantie.
- Bij sommige modellen wordt de handgreep in het apparaat gestoken. U dient deze met uw eigen schroevendraaier vast te schroeven,

Netaansluiting

- Voordat u verbinding maakt, wordt aanbevolen om de temperatuurregelknop op "OFF" te zetten of op een andere stand waardoor het apparaat wordt losgekoppeld van de stroom.

voeding (Zie pagina met de besturingsbeschrijving).

- Dit apparaat moet worden aangesloten op een AC 220-240V 50Hz stopcontact. Het stopcontact moet correct gemonteerd zijn en voorzien zijn van een aardleiding en een zekering van 10A.
- Het is een wettelijke vereiste dat het apparaat goed geaard is. De fabrikant kan niet aansprakelijk worden gesteld voor eventuele schade of letsel die hieruit voortvloeit van het niet voldoen aan deze eis.
- Gebruik geen adapters, stekkerdozen en tweedraads verlengsnoeren. Als het gebruik van het verlengsnoer nodig is, moet het zijn voorzien van een beschermring en een enkelvoudig stopcontact en moet het een VDE/GS-veiligheidscertificaat hebben.
- Als er een verlengsnoer wordt gebruikt (met beschermring en veiligheidscertificaat), moet het stopcontact zich op een veilige afstand bevinden, uit de buurt van de gootstenen, en mag het zich niet op een plaats bevinden waar het door water of afvalwater kan worden overstroomd.
- Zie het typeplaatje aan de onderkant van de binnenwand van het toestel voor gedetailleerde specificaties**.

De netvoeding loskoppelen

Zorg ervoor dat het apparaat gemakkelijk kan worden losgekoppeld van het elektriciteitsnet, door de stekker uit het stopcontact te trekken of door de tweepolige schakelaar uit te schakelen.

Klimaatbereik

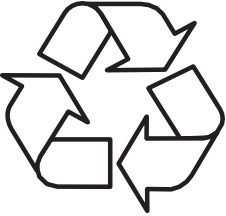
De informatie over het klimaatbereik van het apparaat vindt u op het typeplaatje of op de kartonnen doos.

Klimaat klasse		Toegestane omgevingstemperatuur
SN	Uitgebreid gematigd	Dit koelapparaat is bedoeld voor gebruik bij een omgevingstemperatuur tussen 10°C en 32°C
N	Gematigd	Dit koelapparaat is bedoeld voor gebruik bij een omgevingstemperatuur tussen 16 °C en 32 °C
ST	Subtropisch	Dit koelapparaat is bedoeld voor gebruik bij een omgevingstemperatuur tussen 16 °C en 38 °C °C
T	Tropisch	Dit koelapparaat is bedoeld voor gebruik bij een omgevingstemperatuur tussen 16 °C en 43 °C °C

*Alleen vrijstaande apparaten

** Volgens het model

UITPAKKEN



Tijdens het transport werd een beschermende verpakking gebruikt om het apparaat tegen eventuele schade te beschermen. Gooi na het uitpakken alle verpakkingselementen weg op een manier die geen schade aan het milieu veroorzaakt.

Alle gebruikte materialen voor het verpakken van het apparaat zijn milieuvriendelijk; zij zijn 100% recyclebaar en zijn gemarkeerd met het juiste symbool. Belangrijk! Verpakkingsmaterialen (zakken, polyethyleen, polystyreen, enz.) moeten tijdens het uitpakken buiten het bereik van kinderen worden gehouden.

VERWIJDERING VAN OUD APPARAAT



In overeenstemming met de Europese Richtlijn 2012/19/EU en de lokale wetgeving met betrekking tot gebruikte elektrische en elektronische goederen, is dit apparaat gemarkeerd met het symbool van de doorgekruiste afvalcontainer. Deze markering geeft aan dat het apparaat na gebruik niet samen met ander huishoudelijk afval mag worden weggegooid.

De gebruiker is verplicht het apparaat in te leveren bij een afvalinzamelingscentrum dat gebruikte elektrische en elektronische goederen verzamelt. De inzamelaars, waaronder lokale inzamelpunten, winkels en lokale overheidsdiensten, bieden recyclingprogramma's aan.

Een juiste omgang met gebruikte elektrische en elektronische goederen helpt gevaren voor het milieu en de gezondheid te voorkomen die voortvloeien uit de aanwezigheid van gevaarlijke componenten en de ongepaste opslag en verwerking van dergelijke goederen.

BEDIENINGEN



1. De eerste keer dat u het apparaat inschakelt, werkt dit apparaat altijd op instellingen: 5°C voor koelkast, 0°C voor My Zone en -18°C voor vriezer. Als u de temperatuur of functies handmatig wilt aanpassen, drukt u op de knop om de handelingen uit te voeren. Temperatuurbereik van de adaptieve zone van -3 °C tot 3°C.
2. Aanpassing van de koelkasttemperatuur – druk op de knop ④ aan de linkerkant van het bedieningspaneel om verschillende temperaturen van 2°C tot 8°C te bereiken.
3. Aanpassing van de temperatuur van de vriezer – druk op knop ⑤ aan de rechterkant van het bedieningspaneel om verschillende temperaturen te bereiken van -15°C tot -25°C.
4. My Zone lade-aanpassingsfunctie: deze knop ① regelt de temperatuur. Door op deze knop te drukken, gaat het cijfer van -3° naar +3°. Deze functie kan aan/uit zijn door gedurende drie seconden continu op te drukken.
5. Snelle koelfunctie – Druk op knop ②, het lampje van de knop gaat branden en de snelle koelfunctie wordt ingeschakeld, de koelkast begint automatisch te werken bij een temperatuurinstelling van 2°C en stopt na 24 uur, het lampje van het symbool gaat uit.
6. Vakantiefunctie – Druk op knop ③, het lampje van de knop gaat branden, de vakantiefunctie wordt ingeschakeld en het hele apparaat begint automatisch te werken op de instellingen: koelkast op 17°C en vriezer op -18°C.
7. Eco-functie – Druk op knop ⑥ op het bedieningspaneel, de eco-functie wordt ingeschakeld en de knop gaat branden, het koelgedeelte werkt op stand 5°C en het vriesgedeelte werkt op stand -18°C. De adapt zone werkt op stand 3°C.
8. Snelvriesfunctie – Druk op knop ⑦, het lampje van de knop gaat branden en de vriezer begint te werken met de snelvriesfunctie, temperatuurinstelling -25°C. Na 24 uur stopt de snelvriesfunctie automatisch.
9. Druk gedurende 3 seconden op knop ⑧ om uw apparaat uit te schakelen. De knop gaat branden, de stroom wordt uitgeschakeld. Interne lampen elimineren, compressor stopt met werken. Druk gedurende 3 seconden op de knop ⑧ om uw apparaat in te schakelen, het symbool gaat branden en de stroom is weer aangesloten.

Aanvullende informatie over de temperatuur

- De temperatuur in het apparaat wordt door vele factoren beïnvloed. Hoe je de temperatuurregelknop instelt, is afhankelijk van de omgevingstemperatuur, de blootstelling aan de zon, hoe vaak je de deur opent en de hoeveelheid voedsel die je bewaart. De middelste stand van de draaiknop is in de meeste gevallen het meest optimaal.
- Plaats geen voedsel in de koelkast met vriesvak voordat deze de bedrijfstemperatuur heeft bereikt, wat minimaal 4 uur duurt.
- Wijzig de temperatuurinstellingen niet vanwege de verandering in het seizoen van het jaar. De stijging van de omgevingstemperatuur wordt door de sensor gedetecteerd en de compressor wordt automatisch voor langere tijd ingeschakeld om de ingestelde temperatuur in de kamers te behouden.
- De kleine temperatuurschommelingen zijn volkomen normaal en kunnen bijvoorbeeld optreden tijdens het bewaren van grote hoeveelheden verse producten in de koelkast, of wanneer de deur langere tijd open staat. Dit heeft geen invloed op de toestand van het opgeslagen levensmiddel. en de temperatuur keert snel terug naar de ingestelde waarde.

Foutcode

Dit apparaat heeft een 'storingsweergave en alarm'-functie. Zodra de sensoren defect zijn, worden er alarmen weergegeven op de temperatuurweergave. Het apparaat koelt nog steeds af, maar er moet een professionele servicemonteur worden gebeld om het apparaat te controleren.

F2 – Sensor van aanpassingszone

F3 – Sensor van koelkast apartement

F4 – Sensor van vriesvak

F5 – Sensor voor ontdooien

2E – Storing in ventilator/motor in vriezer

CE– Communicatiefout tussen hoofdpaneel en displaypaneel. De bovenstaande fouten worden alleen op het display weergegeven, geen stem

Alarm voor te hoge temperatuur in de vriezer: nadat de temperatuur van de vriezer de ingestelde temperatuur heeft bereikt, zal het alarm starten als de temperatuur daarna stijgt tot >-1 °C, vergezeld van een flits van het cijfer van de vriezertemperatuur. Druk op een willekeurige knop om het gesproken woord ontruiming te annuleren. De flits blijft aan totdat de temperatuur <-1 °C is.

PS: Hoofdbord bevindt zich in het compressorcompartiment

BEDIENING EN FUNCTIES

Bewaren van voedsel in de koel-vriescombinatie

- De producten moeten op borden, in containers of verpakt in voedselverpakking worden geplaatst. Verdeel ze gelijkmatig over de planken.
- Als het voedsel in contact komt met de achterwand, kan dit leiden tot bevriezing of bevochtiging van de producten.
- Zet geen borden met warm voedsel in de koelkast
- Producten die gemakkelijk smaken opnemen, zoals boter, melk, witte kaas en producten met een intense smaak, zoals vis, gerookt vlees en harde kaas, moeten op planken worden geplaatst, worden verpakt in voedselverpakking of in goed afgesloten containers.
- Het bewaren van groenten die aanzienlijke hoeveelheden water bevatten zal condensatie op de groentecontainers veroorzaken; dit heeft geen invloed op de goede werking van de koelkast.
- Droog de groenten goed voordat u ze in de koelkast legt.
- Te veel vocht verkort de houdbaarheid van groenten, vooral de bladgroenten.
- Was de groenten niet voordat u ze in de koelkast bewaart. Door het wassen wordt de natuurlijke bescherming weggenomen, daarom is het beter om de groenten direct voor consumptie te wassen.
- Het wordt aanbevolen om de producten in de vriesladen 1, 2, 3* te plaatsen tot de natuurlijke laadcapaciteit.**
 1. Verpakte producten
 2. Plank
 3. Natuurlijk laadvermogen
 4. !
- Het stapelen van producten op de vriesschappen is toegestaan.*
- Het is acceptabel om producten 20-30 mm buiten de natuurlijke laadcapaciteit te plaatsen.**
- Om de laadcapaciteit van de vrieskamer te vergroten en het stapelen van producten op de roosters van de diepvriesverdamper tot de maximale hoogte mogelijk te maken, is het mogelijk om lades 1 en 2 te verwijderen.*

Voedsel invriezen**


- Vrijwel alle voedingsproducten, behalve rauw geconsumeerde groenten, zoals sla, kunnen worden ingevroren.
- Alleen voedselproducten van de hoogste kwaliteit, verdeeld in kleine porties voor eenmalig gebruik, mogen worden ingevroren.
- Producten moeten worden verpakt in materialen die geurloos zijn, bestand zijn tegen het binnendringen van lucht en vocht en niet gevoelig zijn voor vet. Plastic zakken, polyethyleen en aluminium platen zijn de beste verpakkingsmaterialen.
- De verpakking moet strak zijn en aan de diepvriesproducten blijven kleven. Gebruik geen glazen containers.
- Bewaar verse en warme levensmiddelen op kamertemperatuur, uit de buurt van reeds ingevroren producten.
- Wij raden u aan om niet meer vers voedsel per dag in de vriezer te plaatsen (zie tabel met technische specificatie).
- Om een optimale kwaliteit van het ingevroren voedsel te behouden, dient u het voedsel dat zich in het midden van de vriezer bevindt, opnieuw in te delen, zodat het de producten die nog niet ingevroren zijn niet raakt.
- Het wordt aanbevolen om de reeds ingevroren producten opzij te schuiven en de verse producten die moeten worden ingevroren aan de andere kant te plaatsen, zo dicht mogelijk bij de achter- en zijwanden.

- Gebruik de gemarkeerde ruimte om producten in te vriezen.
- Houd er rekening mee dat de temperatuur in de vriezer wordt beïnvloed door verschillende factoren, waaronder de omgevingstemperatuur en de hoeveelheid voedselproducten in de kamer, de frequentie waarmee de deur wordt geopend, de hoeveelheid rijp in de vriezer en de instelling van de thermostaat.
- Als u de deur van de vriezer niet onmiddellijk kunt openen nadat u deze heeft gesloten, wacht dan 1-2 minuten totdat de onderdruk is gecompenseerd en probeer opnieuw de deur te openen.

De bewaartijd voor diepgevroren producten is afhankelijk van de kwaliteit vóór het invriezen als ze vers zijn, en van de bewaartemperatuur. Bij een temperatuur van -18°C of lager worden de volgende bewaarperioden aanbevolen:

Producten	Maanden
Rundvlees	6-8
Kalfsvlees	3-6
Ingewand en	1-2
Varkensvle es	3-6
Gevogelte	6-8
Eieren	3-6
Vis	3-6
Groenten	10-12
Vrucht	10-12

Bewaar bevroren voedsel niet in de snelkoelkamer. In deze kamer kunnen ijsblokjes worden bereid en bewaard.

Opmerking: Als het apparaat geen vriesvak heeft (), is niet geschikt voor het invriezen van levensmiddelen.

*Van toepassing op apparaten met een vriesgedeelte aan de onderkant van het apparaat.

** Geldt voor apparaten met een vriesvak

*** Niet van toepassing op apparaten met een gemarkeerd vriesvak

DE KOELKAST EFFICIËNT GEBRUIKEN

Praktische dagelijkse tips

- Plaats koelkasten of diepvriezers niet naast radiatoren, verwarmingen, fornuizen of in direct zonlicht.
- Zorg ervoor dat de ventilatieopeningen niet afgedekt zijn en verwijder het stof een of twee keer per jaar.
- Kies de juiste temperatuur: 6 tot 8°C in je koelkast en -18°C in je vriezer is voldoende.
- Wanneer u op vakantie bent, zet dan de temperatuur in uw koelkast hoger.
- Open je koelkast of vriezer alleen als dat nodig is. Het helpt als je weet welk voedsel er in zit en waar het zich bevindt. Zet het voedsel na gebruik zo snel mogelijk terug in de koelkast of vriezer, zodat het niet te veel opwarmt.
- Veeg de binnenkant van uw koelkast regelmatig schoon met een doek gedrenkt in een mild schoonmaakmiddel. Apparaten die niet zelfontdooiend zijn, moeten regelmatig worden ontdooid. Zorg ervoor dat er geen rijplagen dikker dan 10 mm ontstaan.
- Houd de afdichting rond de deur schoon, anders sluit deze niet goed. Vervang kapotte afdichtingen altijd.

De sterren begrijpen

De temperatuur is minimaal -6°C; voldoende om bevroren voedsel ongeveer een week te bewaren. Laden of vakken gemarkeerd met één ster waren vroeger een kenmerk van (meestal) goedkopere koelkasten.

Voedsel kan bij -12°C of lager gedurende 1-2 weken worden bewaard zonder zijn smaak te verliezen. Niet geschikt voor het invriezen van voedsel.

Deze classificatie wordt voornamelijk gebruikt om voedsel bij -18°C of lager te bewaren. Ook te gebruiken voor het invriezen van maximaal 1 kilogram vers voedsel.

Dit apparaat is geschikt voor het bewaren van voedsel bij -18°C of lager het invriezen van grotere hoeveelheden vers voedsel.

Praktische tips

Door de natuurlijke luchtcirculatie in het apparaat zijn er verschillende temperatuurzones in de koelruimte.

- Het koudste gedeelte bevindt zich direct boven de groenteladen. Gebruik dit gebied voor al het delicate en zeer bederfelijke voedsel, bijvoorbeeld:
 - Vis, vlees, gevogelte
 - Worstproducten, kant-en-klaarmaaltijden
 - Gerechten of gebak die eieren of room bevatten
 - Verse doughn, cakemengsels
 - Voorverpakte groente en andere verse levensmiddelen met een etiket waarop staat dat het op een temperatuur van ongeveer 4°C moet worden bewaard.
- Het warmste gedeelte bevindt zich in het bovenste gedeelte van de deur. Gebruik dit voor het bewaren van boter en kaas.

Voedsel dat niet in de koelkast bewaard mag worden

- Niet al het voedsel is geschikt om in de koelkast te bewaren, met name:
 - Groenten en fruit die gevoelig zijn voor kou, zoals bananen, avocado, papaja, passievrucht, aubergines, paprika, tomaten en komkommers.
 - Fruit dat nog niet rijp is
 - Aardappelen

Waarschuwing:

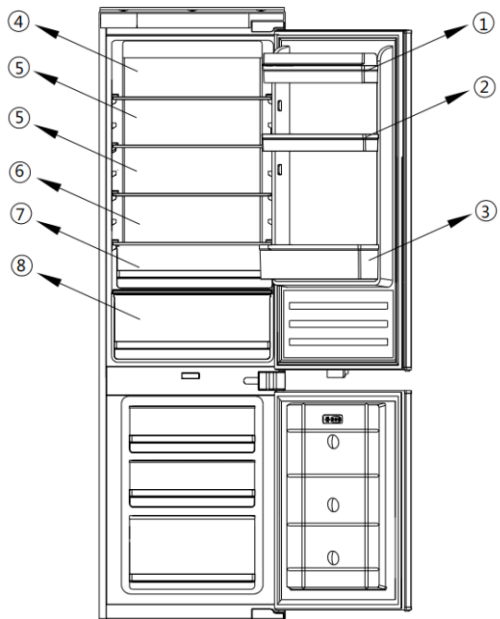
Voorbeeld van het bewaren van voedsel - zie hieronder

Om voedsel zo effectief mogelijk te bewaren en zo lang mogelijk te bewaren en om voedselverspilling te voorkomen, plaatst u de producten zoals weergegeven in Figuur 12. Bovendien illustreert deze figuur de indeling van laden, manden en planken, waardoor het meest efficiënte gebruik van de producten mogelijk is. energie.

Optimale temperatuur- en opslagomstandigheden verlengen de houdbaarheid van producten en optimaliseren het elektriciteitsverbruik. Het optimale bewaartemperatuurbereik moet op de verpakking van het voedselproduct worden vermeld.

Het koelgedeelte is bedoeld voor het kortstondig bewaren van voedsel. Hoewel lage temperaturen kunnen worden gehandhaafd, wordt het langdurig bewaren van voedsel niet aanbevolen. Omdat de koude lucht in de koelkast circuleert, kan de temperatuur tussen de verschillende afdelingen variëren. Daarom moeten voedingsmiddelen, afhankelijk van het type, in verschillende secties worden bewaard.

1. Boter, kaas enz.
2. Voedsel in potten en flessen
3. Drinkjes, b.v. melk
4. Gekookt eten
5. Yoghurt, conserven etc.
6. Flessen van 75cl of kant-en-klaarmaaltijden enz.
7. Fruit en groenten
8. Vers vlees en vis/fruit en groenten



De koelkastplanken kunnen worden verplaatst afhankelijk van de opslagvereisten in het koelgedeelte. Om de plank te verplaatsen, tilt u het achterste gedeelte op en trekt u het vervolgens naar buiten.

Voor de meest energiebesparende configuratie moeten laden, voedseldozen en planken in het product worden geplaatst, zie de bovenstaande afbeeldingen.

ONTDOOIEN, WASSEN EN ONDERHOUD

Reinig de behuizing of kunststof onderdelen van het product nooit met oplosmiddelen of sterke, schurende schoonmaakmiddelen (bijv. waspoeders of crèmes)! Gebruik alleen milde vloeibare schoonmaakmiddelen en zachte doeken. Gebruik geen sponzen.

Ontdooien van de koelkast***

- Vorst zet zich af op de achterwand van de koelruimte. Het wordt automatisch verwijderd. Tijdens het ontdooien kan het condensaat, dat verontreinigingen bevat, de opening in de deurvoer verstoppen. Mocht dit toch gebeuren, ontstop dan voorzichtig de opening met de reinigungsplug.
- Het apparaat werkt in cycli: het koelt (vervolgens zet de rijp zich af op de achterkant muur) en ontdooit (water stroomt langs de achterwand)
- Koppel het apparaat vóór het reinigen los van het elektriciteitsnet door de stekker uit het stopcontact te halen of de zekering uit te schakelen. Voorkom dat water het bedieningspaneel of de lamp binnendringt.
- Gebruik geen ontdooispuitschillen. Ze kunnen de vorming van een explosief mengsel veroorzaken of bevatten oplosmiddelen die de plastic onderdelen van het apparaat kunnen beschadigen en zelfs schadelijk kunnen zijn voor de gezondheid.
- Zorg ervoor dat het water dat gebruikt wordt voor het reinigen niet via de afvoeropening in het verdampingsbakje stroomt.
- Het hele apparaat, behalve de deurpakking, moet worden gereinigd met een mild reinigingsmiddel. De deurpakking moet met water worden gereinigd en drooggeveegd.
- Was alle accessoires (groentecontainers, deurplanken, glazen planken, enz.).

Ontdooien van de vriezer**

- Het wordt aanbevolen om het ontdooien van het apparaat te combineren met het wassen ervan.
- Overmatige ijsophoping op de vrieszones vermindert het vriesvermogen van het apparaat en verhoogt het energieverbruik.
- Ontdooi het apparaat minimaal één of twee keer per jaar. Bij een hogere ijsvorming moet het ontdooien vaker worden uitgevoerd.
- Als er voedsel in de vriezer zit, zet u de knop op max. plaats ongeveer 4 uur vóór de geplande ontdooiing. Dit verzekert de mogelijkheid om het voedsel voor een langere tijd op omgevingstemperatuur te bewaren.
- Nadat u het voedsel uit de vriezer heeft gehaald, plaatst u het in een bakje, wikkelt u het in meerdere lagen papier en een deken en bewaart u het op een koele plaats.
- Het ontdooien moet zo kort mogelijk duren. Het langdurig bewaren van voedsel bij omgevingstemperatuur verkort de houdbaarheid ervan.

Ontdooi de vriesruimte als volgt:**

- Schakel het apparaat uit via het bedieningspaneel en trek de stekker uit het stopcontact.
- Open de deur en haal het voedsel uit de vriezer.
- Trek, afhankelijk van het model, de afvoerbuisc aan de onderkant van het vriesvak eruit en plaats er een geschikt bakje onder.
- Laat de deur open staan, dit versnelt het ontdooiproces. Bovendien kan er een pan met heet water (niet kokend) in het vriesvak worden geplaatst.
- Was de binnenkant van de vriezer en veeg deze droog.
- Schakel het apparaat in volgens het relevante punt in de handleiding.

Automatisch ontdooien van de koelkast****

De koelkamer is uitgerust met een automatische ontdooifunctie. Er kan zich echter ijs op de achterwand van de koelruimte nestelen. Dit gebeurt meestal wanneer grote hoeveelheden verse voedingsproducten in de koelkast worden bewaard.

Automatisch ontdooien van de vriezer****

De vrieskamer is uitgerust met een automatische ontdooifunctie (nofrost). Het voedsel wordt ingevroren in de gekoelde circulatielucht en het vocht uit de vrieskamer wordt naar buiten afgevoerd. Hierdoor ontstaat er geen ijs en vorst in de vriezer en vriezen de producten niet aan elkaar vast.

Handmatig wassen van de koelkast en vriezer****

Het wordt aanbevolen om de koel- en vrieskamers minimaal één keer per jaar te wassen. Dit voorkomt de vorming van bacteriën en slechte geurtjes. Schakel het apparaat uit, verwijder het voedsel uit de kamers en was het met water en een mild schoonmaakmiddel. Veeg de kamers vervolgens droog met een doek.

Planken eruit halen en plaatsen*****

Schuif de plank naar buiten en schuif hem vervolgens zo ver mogelijk naar binnen, zodat de klem in de geleidegroef past.

Deurplank eruit halen en plaatsen*****

Til het deurrek op, verwijder het en plaats het van bovenaf terug in de gewenste positie.

WAARSCHUWING! U mag op geen enkele manier een elektrische verwarming, een verwarmingsventilator of een föhn in de vriezer plaatsen.

** Geldt voor apparaten met vriesvak. Geldt niet voor apparaten met een Vorstvrij Systeem.

*** Geldt voor apparaten met een koelgedeelte. Geldt niet voor apparaten met een Vorstvrij Systeem.

**** Toepasbaar op toestellen met een Vorstvrij Systeem.

***** Geldt niet voor diepvriezers

PROBLEEMOPLOSSEN

Problemen	Mogelijke oorzaken	Remedies
Het apparaat werkt niet	Het elektrische circuit is verstoord	<ul style="list-style-type: none"> - controleer of de stekker goed in het stopcontact zit - controleer of de voedingskabel van het apparaat niet beschadigd is - controleer of er spanning op het stopcontact staat, door er een ander apparaat op aan te sluiten, b.v. een nachtlampje - controleer of het apparaat is ingeschakeld door de thermostaat in te stellen <p>meestad naar een positie boven 0.</p>
De verlichting in de kamer werkt niet	De lamp zit los of is gesmolten (alleen apparaten met een bliksemflitser)	- monteer de lamp op de juiste manier of vervang deze (zie het gedeelte hierboven "Gloeilamp binnenverlichting vervangen)
Het apparaat werkt continu	Verkeerde instelling van de instelknop	- zet de knop terug in een lagere stand
	Zien. "De temperatuur in het apparaat is niet laag genoeg voor beschrijving van andere mogelijke oorzaken	Zien. "De temperatuur in het apparaat is niet laag genoeg voor beschrijving van andere mogelijke oplossingen
Water verzamelt zich in het onderste gedeelte van het apparaat	De waterafvoeropening is verstopt (afhankelijk van het model)	- maak de uitstroomopening schoon (zie de gebruikershandleiding – hoofdstuk getiteld "Ontdooien van de koelkast")
	Interne luchtcirculatie belemmerd	- plaats het voedsel en de bakjes zo dat ze de achterwand van de koelkast niet raken
Het apparaat produceert ongebruikelijke geluiden	Verkeerde waterpasstelling van het apparaat	- Zet het apparaat goed waterpas
	Het apparaat raakt meubels en/of andere voorwerpen	- plaats het apparaat op een plaats met voldoende vrije ruimte eromheen

Problemen	Mogelijke oorzaken	Remedies
De temperatuur in het apparaat is niet laag genoeg of te hoog	Verkeerde instelling van de instelknop	- zet de knop terug in een hogere stand
	De omgevingstemperatuur is hoger of lager dan het klimaatbereik uit de tabel met technische specificatie	- het toestel is aangepast voor gebruik in het klimaatbereik uit tabel met technische specificatie.
	Het apparaat staat op een zonovergoten plaats of in de buurt van warmtebronnen	- verplaats het apparaat naar een andere plaats. Neem de richtlijnen in de handleiding in acht
	Te veel warm voedsel tegelijk geladen	- wacht 72 uur totdat het voedsel afgekoeld is (bevriest) en de gewenste temperatuur bereikt is <u>binnen de kamer</u>
	Interne luchtcirculatie belemmerd	- plaats het voedsel en de bakjes zo dat ze de achterwand van de koelkast niet raken
	De luchtcirculatie aan de achterkant van het apparaat wordt belemmerd	- verplaats het apparaat min. 30 mm afstand van de muur
	De deur van de koelkast/vriezer wordt te vaak geopend en/of blijft te lang openstaan	- verminder de frequentie waarmee de deur wordt geopend en/of verkort de tijd dat de deur open blijft
	De deur sluit niet volledig	- plaats het voedsel en de containers zo dat ze de gesloten deur niet hinderen
	De compressor wordt te zelden ingeschakeld	- controleer of de omgevingstemperatuur niet lager is dan de klimaatklasse
		<u>Deurpakking verkeerd geplaatst</u>

Bij normaal gebruik van de koelkast zijn bepaalde geluiden hoorbaar, die de correcte werking ervan niet beïnvloeden.

Geluiden die gemakkelijk kunnen worden voorkomen:

- geluid veroorzaakt door het apparaat dat niet waterpas staat - pas de positie aan met de verstelbare, naar binnen draaiende voorpoten. Als alternatief kunt u pads van zacht materiaal onder de achterste rollen plaatsen, vooral als het apparaat op tegels wordt geplaatst.
- het aangrenzende meubelstuk aanraken - verplaats de koelkast.
- kraken van de laden of planken - verwijder de lade of plank en plaats deze terug.
- geluiden van rammelende flessen - beweeg flessen uit elkaar.

Geluiden die u tijdens normaal gebruik hoort, zijn voornamelijk te wijten aan de werking van de thermostaat, de compressor (inschakelen) en het koelsysteem (thermische uitzetting en samentrekking van de radiator veroorzaakt door de stroming van het koelmiddel).

INSTALLATIE INSTRUCTIE

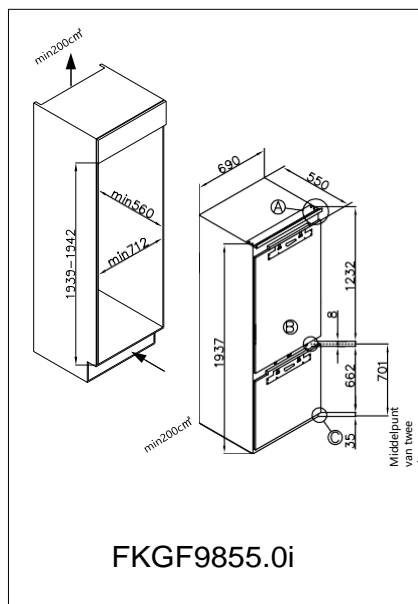
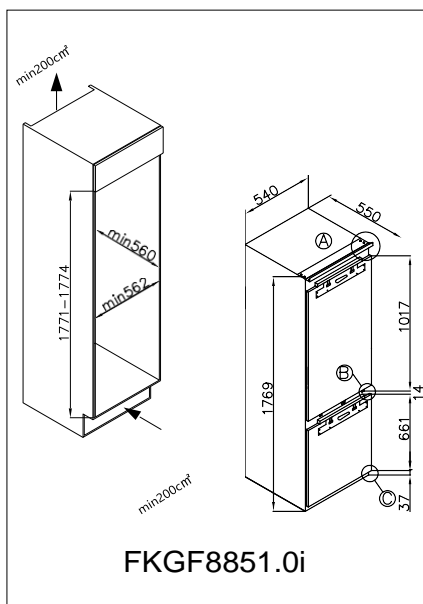
Installatie voorbereiding

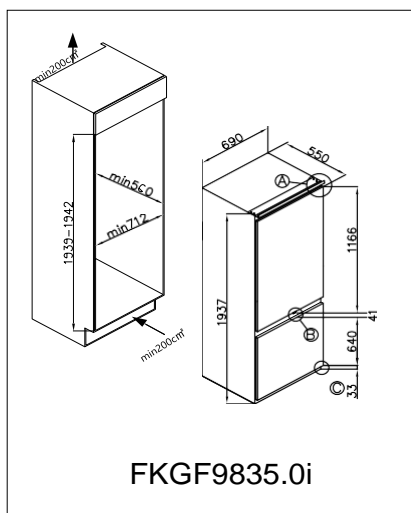
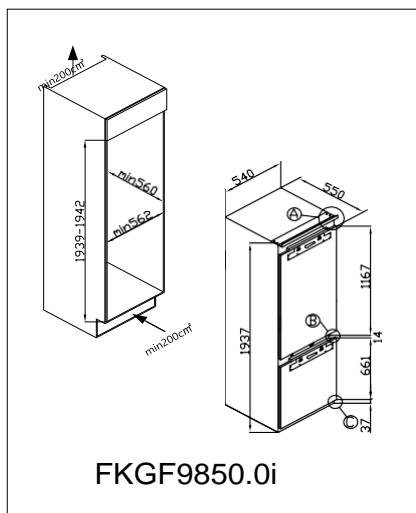
Dit apparaat mag nooit in de buurt van warmtebronnen worden geïnstalleerd, b.v. verwarmingselementen of fornuizen, en ook niet op vochtige plaatsen.

Vraag de hulp van een andere persoon, of twee, bij het installeren van dit apparaat. Dit apparaat kan scherpe randen hebben. Draag geschikte PBM's voor de taak en de omgeving.

- Om ervoor te zorgen dat het apparaat waterpas staat, kunt u gebruik maken van de in hoogte verstelbare pootjes aan de voorkant van het apparaat.
- Het koelsysteem aan de achterzijde van het toestel mag de achterwand niet raken. Hoe groter de kloof, hoe beter.
- Het apparaat moet met voldoende ventilatie worden geïnstalleerd. Zorg ervoor dat er ruimte boven het apparaat is zodat lucht kan ontsnappen en dat er ruimte is tussen de achterkant van het apparaat en de muur.

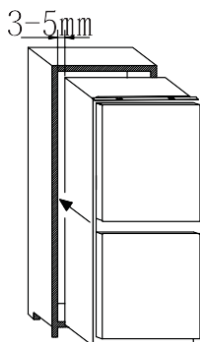
Installatietekening





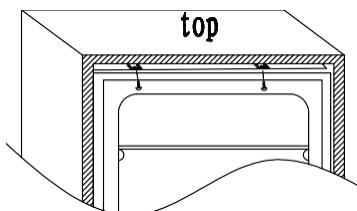
Installatie-instructie (schuifscharnier)

1) Plaats het apparaat in het houten meubilair, plaats het tegenover de scharnieren en zorg voor een afstand van 3-5 mm.

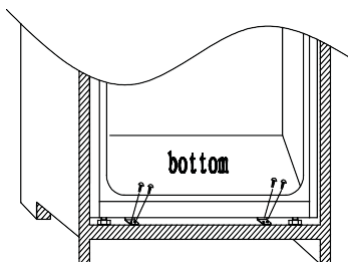


2) Na verzekeren de wedstrijd tussen apparaat deur En

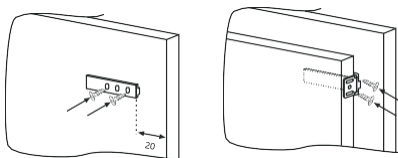
kolom deur, Dan schroef het bovenste gedeelte van het apparaat aan de kast.



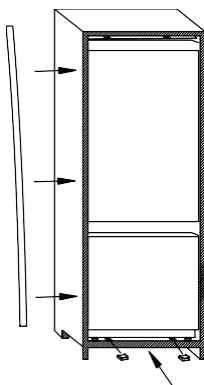
- 3) Schroef het onderste deel van het apparaat vast.



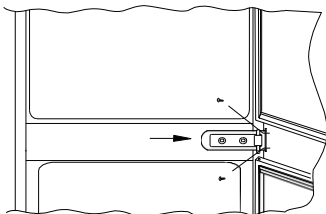
- 6) Bevestig de glijder en de glijbasis op de houten deur en de deur van het apparaat



- 4) Monteer de afdichting op het apparaat, snij indien nodig het overtollige deel af. Monteer de onderste delen met plastic afdekkingen.

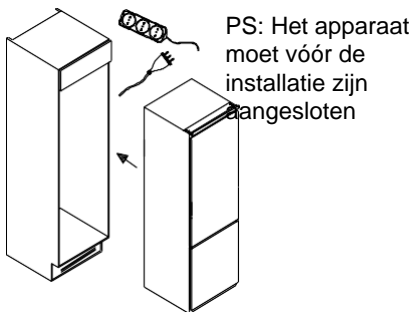


- 5) Gebruik een kruisschroevendraaier om de verbindingsspen onder het rechter middelste scharnier los te maken en pas deze aan om deze op de rechter kastwand te schroeven.

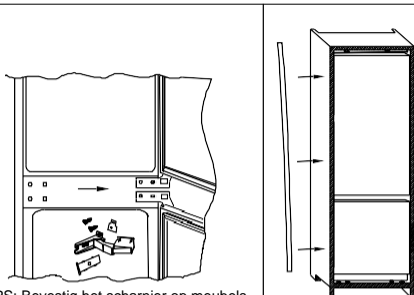


Installatie-instructie(FIX scharnier)

1. Duw het apparaat in het houten meubilair, het apparaat moet de linkerkant van het meubilair beter benaderen.



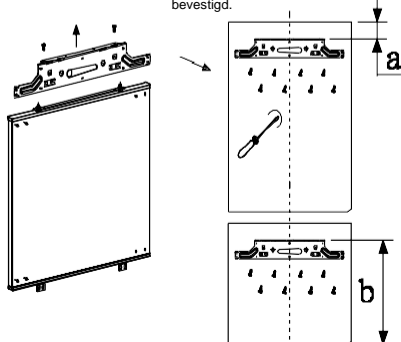
3. Bevestig het scharnier op het meubilair met een schroef, bevestig de decoratiestreek aan de linkerkant van het product.



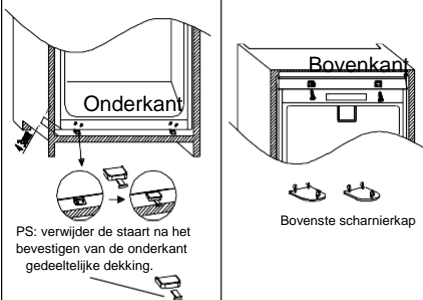
PS: Bevestig het scharnier op meubels met afstandhouders.

5. Bevestig het verbindingspaneel op de meubeldeur.

Het verbindingspaneel moet in het midden van de meubeldeur worden bevestigd.

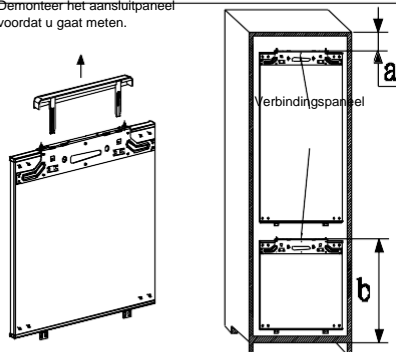


2. Pas de positie van het apparaat aan, schroef het bovenste en onderste deel van het product op het meubel

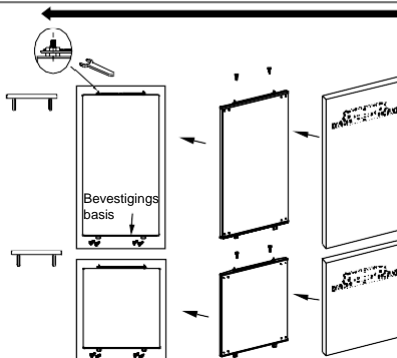


4. Meet de maat op a en b.

Demonteer het aansluitpaneel voordat u gaat meten.



6. Bevestig de deur van het apparaat op de meubeldeur.



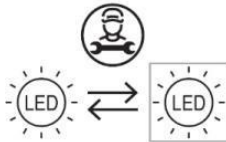
İçerik

KULLANIM GÜVENLİĞİNE İLİŞKİN KURALLAR	134
CİHAZIN KURULUM VE ÇALIŞMA KOŞULLARI	139
AMBALAJIN AÇILMASI	140
ESKİ CİHAZIN ATILMASI	140
KONTROLLER.....	141
ÇALIŞMA VE FONKSİYONLAR	143
BUZDOLABININ VERİMLİ KULLANIMI	145
BUZ ÇÖZME, YIKAMA VE BAKIM.....	147
SORUN GİDERME	149
KURULUM TALİMATI.	151

KULLANIM GÜVENLİĞİNE İLİŞKİN KURALLAR

- Cihaz yalnızca evde kullanım için tasarlanmıştır.
- Üretici, cihazın çalışmasını etkilemeyen değişiklikler yapma hakkını saklı tutar.
- Bu kullanım kılavuzundaki bazı hükümler, farklı tipteki soğutma ürünleri (buzdolabı, buzdolabı-dondurucu veya derin dondurucu için) için birleştirilmiştir.
- Üretici, bu kılavuzda yer alan talimatlara uyulmamasından kaynaklanan hasarlardan sorumlu tutulamaz.
- Bu kılavuzu gelecekte başvurmak veya bir sonraki kullanıcıya vermek için saklayın.
- Bu cihazın, sınırlı fiziksel veya zihinsel kapasiteye sahip kişiler (çocuklar dahil) ve cihazla ilgili deneyimi veya bilgisi olmayan kişiler tarafından kullanılması amaçlanmamıştır.
- Çocukların cihazı kullanmasına izin vermeyin. Cihazla oynamalarına izin vermeyin. Çekmecelerin içine tırmanıp kapılara sallanmamalıdır.
- Cihaz, ortam sıcaklığında düzgün şekilde çalışır (ürün fişine bakın). Sonbahar ve kış aylarında kilerde, ısıtılmayan yazlıklarda kullanmayınız.
- Cihazı yerleştirirken, taşıırken, kaldırırken kapı kollarından tutmayın, buzdolabının arka kısmında bulunan kondansatörü çekmeyin ve kompresör ünitesine dokunmayın.
- Buzdolabı-dondurucuyu taşıırken, taşıırken veya yerleştirirken dikey konumdan 40°'den fazla eğmeyin. Böyle bir durumun ortaya çıkması halinde, cihazın doğru konuma getirilmesinden itibaren en az 2 saat sonra tekrar çalıştırılması gerekmektedir.
- Her bakım işleminden önce fişi prizden çekin. Kabloyu çekmeyin, bunun yerine fişin gövdesinden tutun.
- Cihazdan çıkan “çatlama” sesi, sıcaklık değişimleri sonucu parçaların genişleşip büzülmesinden kaynaklanmaktadır.
- Güvenlik nedeniyle cihazı kendiniz tamir etmeyin. Gerekli niteliklere sahip olmayan kişiler tarafından yapılan onarımlar, cihazın kullanıcısı için ciddi tehlikelere yol açabilir.

- Soğutma sisteminin zarar görmesini önlemek için, cihazın yerleştirildiği odayı birkaç dakika havalandırın (izobütan/R600a içeren bir ürün için odanın boyutu en az 4 m³ olmalıdır).
- Kısmen çözülmüş ürünleri tekrar dondurmayın.
- Şişe ve teneke kutulardaki içecekleri, özellikle gazlı içecekleri, dondurucu bölmesinde saklamayın. Kutular ve şişeler patlayabilir.
- Dondurucudan doğrudan çıkardığınız dondurulmuş ürünleri (lolipop, buz küpleri vb.) ağızınıza koymayın, düşük sıcaklıkları ciddi donmalara neden olabilir.
- Evaporatördeki soğutucu borularını delerek veya boruları kırarak soğutma sistemine zarar vermediğinizden emin olun. Soğutucu yanıcıdır. Soğutucu akışkanın gözlerinize teması halinde, gözlerinizi temiz suyla yıkayın ve derhal tıbbi yardım çağırın.
- Güç kablosu kırılırsa uzman bir tamirhanede yenisiyle değiştirilmelidir.
- Bu cihaz yiyecek depolamak için tasarlanmıştır, başka amaçlarla kullanmayın.
- Temizlik, bakım veya taşıma gibi faaliyetler yapılırken, cihazın elektrik bağlantısı tamamen kesilmelidir (fişi prizden çekilerek).
- Bu cihaz, gözetim altında olmaları veya cihazın güvenli bir şekilde nasıl kullanılacağı konusunda eğitim almaları koşuluyla, 8 yaş ve üzeri çocuklar veya fiziksel, zihinsel veya duyuşsal engelleri olan kişiler veya deneyimsiz veya cihaza aşına olmayan kişiler tarafından kullanılabilir. ve cihazın kullanımıyla ilişkili risklere aşinasınız. Çocukların cihazla oynamadığından emin olun. Cihazın temizlik ve bakımı, 8 yaş ve üzeri olmayan ve yetkili bir kişi tarafından denetlenmeyen çocuklar tarafından yapılmamalıdır.
- Dondurucuda daha fazla yer kazanmak için çekmeceleri çıkarıp yiyecekleri doğrudan raflara yerleştirebilirsiniz. Bunun ürünün mekanik özellikleri ve soğutma performansı üzerinde hiçbir etkisi yoktur. Beyan edilen dondurucu kapasitesi, çekmeceler çıkarılmış halde hesaplanmıştır.
- Bu ürün, bir profesyonel tarafından değiştirilebilen (yalnızca LED) bir ışık kaynağı içerir.





UYARI: Yangın / yanıcı malzeme riski

- 3 ila 8 yaş arası çocukların soğutma cihazlarını yüklemesine ve boşaltmasına izin verilir.

Yiyeceklerin kirlenmesini önlemek için lütfen aşağıdaki talimatlara uyun:

- Kapının uzun süre açılması, cihazın bölmelerindeki sıcaklığın önemli ölçüde artmasına neden olabilir.
- Yiyeceklerle ve erişilebilir drenaj sistemleriyle temas edebilecek yüzeyleri düzenli olarak temizleyin.
- Çiğ et ve balıkları buzdolabında, diğer yiyeceklerle temas etmeyecek veya üzerlerine damlamayacak şekilde uygun kaplarda saklayın.
- İki yıldızlı dondurulmuş gıda bölmeleri, önceden dondurulmuş gıdaların saklanması, dondurmanın saklanması veya yapılması ve buz küpleri yapılması için uygundur.
- Bir, iki ve üç yıldızlı bölmeler taze gıdaların dondurulmasına uygun değildir.

	Bölmeler TİP	Hedef depolama sıcaklığı[OC]	Uygun gıda
1	Buzdolabı	+2≤+8	Yumurta, pişmiş gıdalar, paketlenmiş gıdalar, meyve ve sebzeler, süt ürünleri, kekler, içecekler ve diğer gıdalar dondurulmaya uygun değildir.
2	Dondurucu	≤-18	Deniz ürünleri (balık, karides, kabuklu deniz ürünleri), tatlı su su ürünleri ve et ürünleri (3 ay süreyle önerilir, saklama süresi ne kadar uzun olursa tadı ve besleyiciliği o kadar kötü olur), dondurulmuş taze gıdalar için uygundur.
3	Dondurucu	≤-18	Deniz ürünleri (balık, karides, kabuklu deniz ürünleri), tatlı su su ürünleri ve et ürünleri (3 ay süreyle önerilir, saklama süresi ne kadar uzun olursa tadı ve besleyiciliği o kadar kötü olur), dondurulmuş taze yiyecekler için uygun değildir.
4	Dondurucu	≤-12	Deniz ürünleri (balık, karides, kabuklu deniz ürünleri), tatlı su su ürünleri ve et ürünleri (2 ay süreyle önerilir, saklama süresi ne kadar uzun olursa tadı ve besleyiciliği o kadar kötü olur), dondurulmuş taze yiyecekler için uygun değildir.

5	Dondurucu	≤ -6	Deniz ürünleri (balık, karides, kabuklu deniz ürünleri), tatlı su su ürünleri ve et ürünleri (1 ay süreyle önerilir, depolama süresi ne kadar uzun olursa tadı ve besleyiciliği o kadar kötü olur), dondurulmuş taze gıdalar için uygun değildir.
6	0-yıldız bölümü	$-6 \leq 0$	Taze domuz eti, dana eti, balık, tavuk, bazı paketlenmiş işlenmiş gıdalar vb. (Aynı gün içinde, tercihen en fazla 3 gün tüketilmesi önerilir). Kısmen kapsüllenmiş işlenmiş gıdalar (dondurulamayan gıdalar)
7	Sakin olmak	$2 \leq +3$	Taze/dondurulmuş domuz eti, sığır eti, tavuk, tatlı su su ürünleri vb. (7 gün boyunca 00C'nin altında ve 00C'nin üzerinde tüketilmesi tavsiye edilir, o gün içinde, tercihen 2 günden fazla tüketilmez). Deniz ürünleri (15 gün boyunca 0'ın altında, 00C'nin üzerinde saklanması tavsiye edilmez)
8	Taze gıda	$0 \leq +4$	Taze domuz eti, dana eti, balık, tavuk, pişmiş yiyecekler vb. (Aynı gün içerisinde, tercihen en fazla 3 gün tüketilmesi önerilir)
9	Şarap	$+5 \leq +20$	kırmızı şarap, beyaz şarap, köpüklü şarap vb.

- Not: Lütfen satın aldığınız ürünlerinizin bölmelerine veya hedef saklama sıcaklığına göre farklı gıdaları saklayın.
- Soğutma cihazı uzun süre boş bırakılırsa, cihaz içinde küf oluşumunu önlemek için cihazı kapatın, buzunu çözün, temizleyin, kurutun ve kapısını açık bırakın.
- Su sebil temizliği (su sebil ürünlerine özel): Su depolarını 48 saattir kullanılmamışsa temizleyin; 5 gün boyunca su çekilmemişse, su kaynağına bağlı su sistemini yıkayın.
- (AB) 2019/2019 Komisyon Yönetmeliği uyarınca, cihazın onarımı için gerekli yedek parçaların minimum bulunabilirlik süresi, yedek parçanın türüne ve amacına bağlı olarak 7 veya 10 yıldır.
- Yedek parça listesi ve sipariş prosedürü üreticinin, ithalatçının veya yetkili temsilcisinin web sitelerinde mevcuttur.
- Ürün hakkında daha fazla bilgi için lütfen <https://eprel.ec.eu-ropa.eu> adresindeki AB EPREL Ürün Veritabanına bakın. Daha fazla bilgi için lütfen mobil cihazınızı kullanarak enerji etiketindeki QR kodunu tarayın veya enerji etiketinde listelenen ürün modelini EPREL arama motoruna girin <https://eprel.ec.europa.eu/>

CİHAZIN KURULUM VE ÇALIŞMA KOŞULLARI

Bu soğutma cihazı ankastre cihaz olarak kullanılmak üzere tasarlanmıştır.

Cihazı ilk kez kullanmadan önce kurulum

- Ürünü ambalajından çıkarın, kapıyı ve ekipmanı koruyan bantı çıkarın. Kalan yapışkan lekeleri hafif bir bezle çıkarılabilir. Yıkama maddesi.
- Ambalajın polistiren elemanlarını atmayın. Buzdolabı-dondurucunun taşınması gerekiyorsa, polistiren parçalarla sarın ve filmle sarın ve bantla koruyun.
- Buzdolabı-dondurucunun iç yüzeyini ve cihazın elemanlarını ılık suda eritilmiş yıkama maddesiyle temizleyip, silerek kurulayın.
- Buzdolabını-dondurucuyu düz, düz ve sabit bir yüzeye, kuru, havalandırılmış ve gölgeli bir odaya, fırın, ocak, merkezi ısıtma gibi ısı kaynaklarından uzağa yerleştirin. Radyatörler, merkezi ısıtma boruları, sıcak su tesisatı vb.
- Ürünün dış yüzeyinde koruyucu folyo bulunabilir, bu folyoların çıkarılması gerekmektedir.
- Ayarlanabilir 2 ön ayağı vidalayarak cihazın yatay konumda yerleştirildiğinden emin olun.
- Kapının serbestçe açılmasını sağlamak için, cihazın yan tarafı (kapı menteşeleri tarafında) ile duvar arasındaki mesafenin yeterli olduğundan emin olun.
- Odanın yeterli şekilde havalandırılmasını ve cihazın her yanından serbest hava sirkülasyonunun olmasını sağlayın.

Isı kaynaklarından minimum mesafeler

- elektrikli gaz ve diğer fırınlardan - 30 mm,
- petrol veya kömür yakıtlı fırınlardan - 300 mm,
- ankastre fırınlardan - 50 mm

Yukarıda belirtilen mesafelerin sağlanması mümkün değilse uygun bir yalıtım levhası sağlayın.

Uyarı:

- Buzdolabının arka duvarı, özellikle kondenser ve soğutma sisteminin diğer elemanları, diğer elemanlarla temas etmemelidir. Bunlara zarar verebilir (örn. merkezi ısıtma boruları ve su besleme boruları).
- Ünitenin herhangi bir parçasını yeniden ayarlamak veya değiştirmek yasaktır. Kompresör girintisinde görünen kılcal boruya zarar vermemek çok önemlidir. Tüp bükülmemeli, düzleştirilmemeli veya sarılmamalıdır.
- Kılcal borunun kullanıcı tarafından hasar görmesi durumunda garanti geçersiz olacaktır.
- Bazı modellerde sap cihaza takılıdır, Kendi tornavidanızla vidalamanız gerekmektedir.

Şebeke bağlantısı

- Bağlantıdan önce sıcaklık kontrol düğmesinin "KAPALI" konuma veya cihazın elektrik bağlantısını kesecek başka bir konuma ayarlanması önerilir. Beslemesi (Kontrol açıklamasını içeren sayfaya bakın).
- Bu cihaz AC 220-240V 50Hz elektrik prizine bağlanmalıdır. Priz uygun şekilde takılmalı ve topraklama kablosu ve 10A sigorta ile birlikte sağlanmalıdır.

- Cihazın uygun şekilde topraklanması yasal bir zorunluluktur. doğabilecek herhangi bir hasar veya yaralanmadan üretici sorumlu tutulamaz. bu şartın yerine getirilememesinden.
- Adaptör, çoklu priz ve iki telli uzatma kablosu kullanmayın. Uzatma kablosunun kullanılması gerekiyorsa, koruma halkası ve tek priz ile donatılmalı ve VDE/GS güvenlik sertifikasına sahip olmalıdır.
- Uzatma kablosu kullanılıyorsa (koruma halkalı ve güvenlik sertifikalı), prizi lavabolardan güvenli bir mesafede bulunmalı, su veya atık su ile dolabilecek bir yerde olmamalıdır.
- Ayrıntılı özellikler için cihazın iç duvarının alt kısmındaki tip plakasına bakın**.

Şebeke bağlantısının kesilmesi

Fiş prizden çekerek veya iki kutuplu anahtarı kapatarak cihazın elektrik bağlantısının kolayca kesilebildiğinden emin olun.

İklim aralığı

Cihazın iklim aralığına ilişkin bilgiler anma plakasında veya kartonda bulunmaktadır.

İklim sınıfı		İzin verilen ortam sıcaklığı
SN (İngilizce)	Genişletilmiş Ilıman	Bu soğutma cihazı, 10°C ila 32°C arasındaki ortam sıcaklığında kullanılmak üzere tasarlanmıştır.
N	Ilıman	Bu soğutma cihazı, 16°C ila 32°C arasındaki ortam sıcaklığında kullanılmak üzere tasarlanmıştır.
ST (Türkçe)	Subtropikal	Bu soğutma cihazı, 16 °C ila 38 °C arasındaki ortam sıcaklığında kullanılmak üzere tasarlanmıştır. °C
T	Tropikal	Bu soğutma cihazı, 16 °C ila 43 °C arasındaki ortam sıcaklığında kullanılmak üzere tasarlanmıştır. °C

* Yalnızca bağımsız cihazlar

** Modele göre

AMBALAJIN AÇILMASI



Taşıma sırasında cihazın herhangi bir hasara uğramaması için koruyucu ambalaj kullanılmıştır. Ambalajı açtıktan sonra lütfen ambalajın tüm unsurlarını çevreye zarar vermeyecek şekilde imha edin.

Cihazın ambalajlanmasında kullanılan tüm malzemeler çevre dostudur; bunlar %100 geri dönüştürülebilir ve uygun sembolle işaretlenmiştir. **Önemli!** Ambalaj malzemeleri (torba, polietilen, polistiren vb.) ambalajın açılması sırasında çocuklardan uzak tutulmalıdır.

ESKİ CİHAZIN ATILMASI



2012/19/AB sayılı Avrupa Yönergesi ve kullanılmış elektrikli ve elektronik eşyalara ilişkin yerel mevzuata uygun olarak bu cihaz, üzerinde çarpı işareti bulunan atık kabı simgesiyle işaretlenmiştir. Bu işaret, cihazın kullanıldıktan sonra diğer ev atıklarıyla birlikte atılmaması gerektiğini belirtir.

Kullanıcı, kullanılmış elektrikli ve elektronik eşyaların toplandığı atık toplama merkezine teslim etmekle yükümlüdür. Yerel toplama noktaları, mağazalar ve yerel yönetim departmanları da dahil olmak üzere toplayıcılar geri dönüşüm programları sağlamaktadır. Kullanılmış elektrikli ve elektronik eşyaların doğru şekilde kullanılması, tehlikeli bileşenlerin varlığından ve bu tür eşyaların uygun olmayan şekilde saklanması ve işlenmesinden kaynaklanan çevre ve sağlık tehlikelerinin önlenmesine yardımcı olur.

KONTROLLER



1. Cihaz ilk kez açıldığında, bu cihaz her zaman şu ayarlarda çalışır: buzdolabı için 5°C, My Zone için 0°C ve dondurucu için -18°C. Sıcaklığı veya fonksiyonları manuel olarak ayarlamak istiyorsanız, işlemleri gerçekleştirmek için düğmeye basın. Adaptasyon bölgesinin sıcaklık aralıkları -3°C'den 3°C'ye kadardır.
2. Buzdolabı sıcaklık ayarı – 2°C ila 8°C arasında farklı sıcaklıklar elde etmek için kontrol panelinin sol kısmındaki ④ düğmesine basın.
3. Dondurucu sıcaklık ayarı – -15°C ila -25°C arasında farklı sıcaklıklar elde etmek için kontrol panelinin sağ kısmındaki ⑤ düğmesine basın.
4. My Zone çekmece ayarlama işlevi: bu düğme ① sıcaklığı kontrol eder. Bu düğmeye bastığınızda rakam -3°'den +3°'ye çıkacaktır. Bu fonksiyon açık/kapalı olabilir üç saniye boyunca sürekli basarak.
5. Hızlı soğutma fonksiyonu – ② tuşuna basın, tuşun ışığı yanar ve hızlı soğutma fonksiyonu açılır, buzdolabı 2°C sıcaklık ayarında otomatik olarak çalışmaya başlar ve 24 saat sonra kapanır, sembol ışığı söner.
6. Tatil fonksiyonu – ③ tuşuna basın, tuşun ışığı yanar, tatil fonksiyonu açılır ve tüm cihaz ayarlarda otomatik olarak çalışmaya başlar: buzdolabı 17°C'de ve dondurucu -18°C'de.
7. Eco işlevi – Kontrol panelindeki ⑥ düğmesine basın, eco işlevi açılır ve düğme yanar, soğutucu bölmesi 5°C ayarında, dondurucu bölmesi -18°C ayarında çalışır. Adaptasyon bölgesi 3°C ayarında çalışır.
8. Hızlı dondurma işlevi – ⑦ düğmesine basın, düğmenin ışığı yanar ve dondurucu hızlı dondurma işlevinde, sıcaklık ayarı -25°C'de çalışmaya başlar. 24 saat sonra hızlı dondurma fonksiyonu otomatik olarak sonlanır.
9. Cihazınızı kapatmak için ⑧ tuşuna 3 saniye basın, tuş yanar, elektrik kesilir. Dahili lambalar ortadan kalkar, kompresör çalışmayı durdurur. Cihazınızı açmak için ⑧ tuşuna 3 saniye basın, sembol yanar ve elektrik tekrar bağlanır.

Sıcaklık hakkında ek bilgi

- Cihazın içindeki sıcaklık birçok faktörden etkilenir. Sıcaklık kontrol kadranını nasıl ayarlayacağınız ortam sıcaklığına, güneş ışığına maruz kalma durumuna, kapıyı ne sıklıkta açtığınıza ve saklanan yiyecek miktarına bağlıdır. Kadranın orta ayarı çoğu durumda en uygundur.
- Minimum 4 saat sürecek olan çalışma sıcaklığına ulaşmadan buzdolabı dondurucusuna yiyecek koymayın.
- Yılın mevsimindeki değişiklik nedeniyle sıcaklık ayarlarını değiştirmeyin. Ortam sıcaklığındaki artış sensör tarafından algılanacak ve haznelerin içinde ayarlanan sıcaklığı korumak için kompresör daha uzun süre otomatik olarak açılacaktır.
- Sıcaklıktaki hafif değişiklikler son derece normaldir ve örneğin büyük miktarda taze ürünün buzdolabında saklanması sırasında veya kapının uzun süre açık kalması sırasında meydana gelebilir. Bu, saklanan gıda maddesinin durumunu etkilemez. ve sıcaklık hızla ayarlanan değere dönecektir.

Hata kodu

Bu cihaz 'arıza görüntüleme ve alarm' fonksiyonuna sahiptir. Sensörler arızalandığında, sıcaklık göstergesinde alarmlar görüntülenir, cihaz hala soğuyor ancak profesyonel servis mühendisi çağrılmalı ve cihaz kontrol edilmelidir.

F2 – Adaptasyon bölgesinin sensörü

F3 – Soğutucu bölme sensörü

F4 – Dondurucu bölme sensörü

F5 – Buz çözme sensörü

2E – Dondurucudaki fan/motor arızası

CE– Ana panel ile gösterge paneli arasında iletişim hatası. Yukarıdaki Hatalar yalnızca ekranda gösteriliyor, ses yok

Dondurucuda aşırı sıcaklık alarmı: Dondurucu sıcaklığı ayarlanan sıcaklığa ulaştıktan sonra, sıcaklık >-1 °C'ye çıkarsa, dondurucu sıcaklığı rakamının yanıp sönmeleriyle birlikte alarm başlayacaktır. Sesli alarmı iptal etmek için herhangi bir düğmeye basın. Sıcaklık <-1 °C olana kadar flaş yanmaya devam edecektir.

Not: Ana kart kompresör bölgesi bölgesinde bulunur

ÇALIŞMA VE FONKSİYONLAR

Yiyeceklerin buzdolabında-dondurucuda saklanması

- Ürünler tabaklara, kaplara yerleştirilmeli veya gıda ambalajına sarılmalıdır. Bunları raflara eşit şekilde dağıtın.
- Yiyeceklerin arka duvara temas etmesi ürünlerin donmasına veya ıslanmasına neden olabilir.
- Sıcak yemek içeren tabakları buzdolabına koymayın
- Tereyağı, süt, beyaz peynir gibi aromaları kolay emen ürünler ile balık, füme et, sert peynir gibi yoğun aromalı ürünler raflara yerleştirilmeli, gıda ambalajına veya sıkıca kapatılmış kaplara konulmalıdır.
- Önemli miktarda su içeren sebzelerin saklanması, sebze kapları üzerinde yoğunlaşma suyu birikmesine neden olur; buzdolabının düzgün çalışmasını etkilemez.
- Sebzeleri buzdolabına koymadan önce iyice kurulayın.
- Aşırı nem, sebzelerin, özellikle de yapraklı sebzelerin raf ömrünü kısaltır.
- Buzdolabına koymadan önce sebzeleri yıkamayın. Yıkamak doğal korumayı ortadan kaldırır, bu nedenle sebzeleri tüketmeden önce doğrudan yıkamak daha iyidir.
- Ürünlerin doğal yükleme kapasitesine kadar dondurucu çekmeceleri 1, 2, 3**e yerleştirilmesi tavsiye edilir.**

1. Paketlenmiş ürünler
2. Raf
3. Doğal yükleme kapasitesi

- Ürünlerin dondurucu raflarına istiflenmesi kabul edilebilir.*
- Ürünlerin doğal yükleme kapasitesinin 20-30 mm ötesine yerleştirilmesi kabul edilebilir.**
- Dondurucu bölmesinin yükleme kapasitesini arttırmak ve ürünlerin dondurucu evaporatör tel raflarında maksimum yüksekliğe kadar istiflenmesine olanak sağlamak için çekmece 1 ve 2'nin çıkarılması mümkündür.*

Yiyeceklerin dondurulması**

- Marul gibi çiğ olarak tüketilen sebzeler dışında hemen hemen tüm gıda ürünleri dondurulabilmektedir.
- Yalnızca tek kullanım için küçük porsiyonlara bölünmüş en yüksek kalitedeki gıda ürünleri dondurulmalıdır.
- Ürünler kokusuz, hava ve nem girişine dayanıklı, yağa duyarlı olmayan malzemelerle paketlenmelidir. Plastik poşetler, polietilen ve alüminyum levhalar en iyi ambalaj malzemeleridir.
- Ambalaj sıkı olmalı ve donmuş ürünlere yapışmalıdır. Cam kaplar kullanmayın.
- Ortam sıcaklığındaki taze ve sıcak gıdaları, halihazırda donmuş olan ürünlerden uzak tutun.
- Dondurucuya her gün daha fazla taze yiyecek koymamanızı tavsiye ederiz (bkz. cadı teknik özellikleri tablosu).
- Dondurulmuş gıdanın optimum kalitesini korumak için, dondurucunun ortasındaki gıdayı, henüz dondurulmamış ürünlere temas etmeyecek şekilde yeniden düzenleyin.
- Dondurulmuş ürünleri bir tarafa, dondurulacak taze ürünleri ise karşı tarafa, arka ve yan duvarlara mümkün olduğunca yakın yerleştirmeniz önerilir.

- Ürünleri dondurmak için işaretli alanı kullanın.
- Dondurucudaki sıcaklığın, ortam sıcaklığı ve haznedeki gıda ürünlerinin miktarı, kapının açılma sıklığı, dondurucudaki buz miktarı ve termostat ayarı gibi çeşitli faktörlerden etkilendiğini unutmayın.
- Dondurucu kapısını kapattıktan hemen sonra açamıyorsanız, negatif basıncın dengelenmesi için 1-2 dakika bekleyin ve kapıyı tekrar açmayı deneyin.

Dondurulmuş ürünlerin saklama süresi, tazeyken dondurulmadan önceki kalitesine ve saklama sıcaklığına bağlıdır. Sıcaklık -18°C veya daha düşük tutulduğunda aşağıdaki saklama süreleri önerilir:

Ürünler	Aylar
Biftek	6-8
Dana eti	3-6
Sakatat	1-2
Domuz eti	3-6
Kümes hayvanları	6-8
Yumurtalar	3-6
Balık	3-6
sebzeler	10-12
Meyve	10-12

Dondurulmuş gıdaları hızlı soğutma odasında saklamayın. Bu haznede buz küpleri hazırlanıp saklanabilir.

Not: Cihazda dondurucu bölmesi yoksa (❄️), gıda maddelerinin dondurulması için uygun değildir.

* Cihazın alt kısmında dondurucu bölmesi bulunan cihazlar için geçerlidir.

** Dondurucu bölmeli cihazlar için geçerlidir

*** Dondurucu bölmesi işareti bulunan cihazlar için geçerli değildir

BUZDOLABININ VERİMLİ KULLANIMI

Pratik günlük ipuçları

- Buzdolaplarını veya dondurucuları radyatörlerin, ısıtıcıların, sobaların yanına veya doğrudan güneş ışığına maruz bırakmayın.
- Havalandırma deliklerinin kapalı olmadığından emin olun ve yılda bir veya iki kez tozlarını temizleyin.
- Doğru sıcaklığı seçin: Buzdolabınızda 6 ila 8°C ve dondurucunuzda -18°C yeterlidir.
- Tatildeyken buzdolabınızın sıcaklığını yükseltin.
- Buzdolabınızı veya derin dondurucunuzu yalnızca gerektiğinde açın. Her birinin hangi yiyeceği içerdiğini ve nerede bulunduğunu bilmeniz yardımcı olur. Yiyecekleri kullandıktan sonra çok fazla ısınmaması için mümkün olan en kısa sürede buzdolabına veya dondurucuya koyun.
- Buzdolabınızın içini yumuşak bir deterjana batırılmış bir bezle düzenli olarak silin. Kendi kendine buzunu çözemeyen cihazların buzunun düzenli olarak çözülmesi gerekir. 10 mm'den kalın don tabakalarının oluşmasına izin vermeyin.
- Kapının etrafındaki contayı temiz tutun, aksi halde düzgün kapanmayacaktır. Kırık contaları daima değiştirin.

Yıldızları anlamak

Sıcaklık en az -6°C'dir; Dondurulmuş yiyecekleri yaklaşık bir hafta saklamaya yeterlidir. Tek yıldızla işaretlenmiş çekmeceler veya bölmeler eskiden (çoğunlukla) daha ucuz buzdolaplarının bir özelliğiydi.

Yiyecekler -12°C ve altında 1-2 hafta kadar lezzetini kaybetmeden saklanabilir. Yiyecekleri dondurmak için uygun değildir.

Bu derecelendirme esas olarak gıdaları -18°C veya altında saklamak için kullanılır. Ayrıca 1 kilograma kadar taze gıdanın dondurulması için de kullanılabilir.

Bu cihaz, yiyecekleri -18°C veya altında saklamak için uygundur ve daha fazla miktarda taze gıdanın dondurulması.

Pratik ipuçları

Cihaz içindeki havanın doğal dolaşımı nedeniyle, buzdolabı bölmesinde farklı sıcaklık bölgeleri bulunmaktadır.

- En soğuk alan sebze çekmecelerinin hemen üstüdür. Bu alanı tüm hassas ve çabuk bozulabilen yiyecekler için kullanın, örneğin:
 - Balık, et, kümes hayvanları
 - Sosis ürünleri, hazır yemekler
 - Yumurta veya krema içeren yemekler veya unlu mamuller
 - Taze dough, kek karışımları
 - Yaklaşık 4°C'lik bir sıcaklıkta saklanması gerektiğini belirten bir etikete sahip önceden paketlenmiş sebze ve diğer taze yiyecekler.
- En sıcak alan kapının üst kısmındadır. Bunu tereyağı ve peyniri saklamak için kullanın.

Buzdolabında saklanmaması gereken yiyecekler

- Tüm yiyecekler buzdolabında saklanmaya uygun değildir, özellikle:
 - Muz, avokado, papa-ya, çarkıfelek meyvesi, patlıcan, biber, domates ve salatalık gibi soğuğa duyarlı meyve ve sebzeler.
 - Henüz olgunlaşmamış meyve
 - Patates

Uyarı:

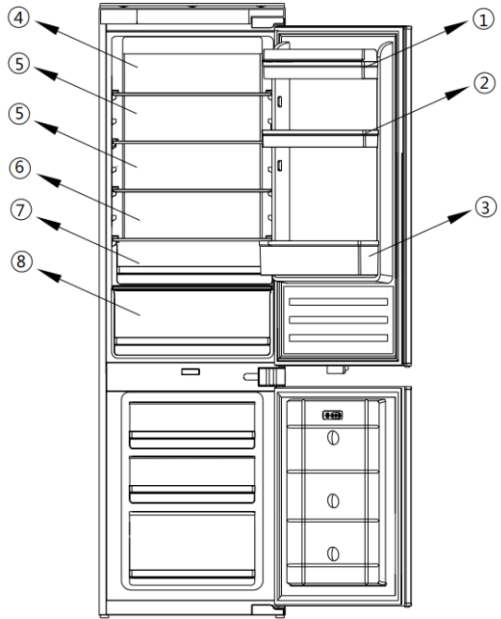
Yiyeceklerin saklanmasına örnek - aşağıya bakın

Gıdaların mümkün olan en uzun süre boyunca en etkili şekilde muhafaza edilmesini sağlamak ve gıda israfını önlemek için ürünleri Şekil 12'de gösterildiği gibi konumlandırın. Ayrıca bu şekil, gıdaların en verimli şekilde kullanılmasını sağlayan çekmece, sepet ve rafların yerleşimini göstermektedir. enerji.

Optimum sıcaklık ve saklama koşulları ürünün raf ömrünü uzatacak ve elektrik tüketimini optimize edecektir. Optimum saklama sıcaklığı aralığı gıda ürünü ambalajında belirtilmelidir.

Soğutucu bölümü yiyeceklerin kısa süreli saklanması içindir. Düşük sıcaklıklar korunabilse de, gıdaların uzun süre saklanması önerilmez. Soğuk hava buzdolabının içinde dolaşırken, sıcaklık farklı bölümler arasında değişiklik gösterebilir. Bu nedenle besinlerin türüne göre farklı bölümlerde saklanması gerekir.

1. Tereyağı, peynir vb.
2. Kavanoz ve şişelerdeki yiyecekler
3. İçecekler, ör. süt
4. Pişmiş yemek
5. Yoğurtlar, konserveler vb.
6. 75cl şişe veya hazır yemek vb.
7. Meyve ve sebzeler
8. Taze et ve balık/meyve ve sebzeler



Buzdolabı rafları, buzdolabı bölümü içerisinde depolama ihtiyacına göre hareket ettirilebilmektedir. Rafı hareket ettirmek için arka kısmı yukarı kaldırın ve ardından dışarı doğru çekin.

En fazla enerji tasarrufu sağlayan konfigürasyon, üründe çekmecelerin, yemek kutusunun ve rafların konumlandırılmasını gerektirir; lütfen yukarıdaki resimlere bakın.

BUZ ÇÖZME, YIKAMA VE BAKIM

Ürünün gövdesini veya plastik parçalarını asla solvent veya güçlü, aşındırıcı deterjanlar (örn. çamaşır tozu veya krem) kullanarak temizlemeyin! Yalnızca yumuşak sıvı deterjanlar ve yumuşak bezler kullanın. Sünger kullanmayın.

Buzdolabının buzunun çözülmesi***

- Don, buzdolabı bölmesinin arka duvarına yerleşir. Otomatik olarak kaldırılır. Buz çözme sırasında kirlenici maddeler içeren yoğunlaşma, geçişteki açıklığı tıkanabilir. Böyle bir durumda, temizleme tapası ile açıklığın tıkanıklığını dikkatlice açın.
- Cihaz döngüler halinde çalışır: soğutur (ardından buz arka tarafa yerleşir) duvar) ve buz çözülür (su arka duvardan aşağı akar)
- Temizlemeden önce fişi prizden çekerek veya sigortayı kapatarak cihazın elektrik bağlantısını kesin. Suyun kontrol paneline veya ışığa girmesini önleyin.
- Buz çözücü aerosoller kullanmayın. Patlayıcı bir karışım oluşmasına neden olabilirler veya cihazın plastik bileşenlerine zarar verebilecek, hatta sağlığa zararlı solventler içerebilirler.
- Temizlik için kullanılan suyun, tahliye deliğinden buharlaşma kabına akmadığından emin olun.
- Kapı contası hariç tüm cihaz hafif bir temizlik deterjanı ile temizlenmelidir. Kapı contası su ile temizlenmeli ve silinerek kurutulmalıdır.
- Tüm aksesuarları (sebze kapları, kapı rafları, cam raflar vb.) yıkayın.

Dondurucunun buzunun çözülmesi**

- Cihazın buzunu çözme işleminin, yıkama işlemiyle birleştirilmesi tavsiye edilir.
- Dondurucu bölgelerde aşırı buz birikmesi cihazın dondurma kapasitesini olumsuz etkiler ve enerji tüketimini artırır.
- Cihazın buzunu yılda en az bir veya iki kez çözün. Daha fazla buz birikmesi durumunda buz çözme işlemi daha sık yapılmalıdır.
- Dondurucuda yiyecek varsa düğmeyi maksimuma ayarlayın. Planlanan buz çözme işleminden yaklaşık 4 saat önce konumu. Bu, gıdanın ortam sıcaklığında daha uzun süre saklanmasına olanak sağlayacaktır.
- Yiyecekleri dondurucudan çıkardıktan sonra bir kaba koyun, birkaç kat kağıtla, bir battaniyeyle sarın ve serin bir yerde saklayın.
- Buz çözme işlemi mümkün olduğu kadar kısa sürmelidir. Gıdaların ortam sıcaklığında uzun süre saklanması raf ömrünü kısaltır.

Aşağıdaki adımları izleyerek dondurucu bölmesinin buzunu çözün:**

- Kontrol panelini kullanarak cihazı kapatın ve fişini prizden çekin.
- Kapıyı açın ve dondurucudaki yiyecekleri çıkarın.
- Modele bağlı olarak dondurucu bölmenin alt kısmında bulunan drenaj borusunu dışarı çekin ve altına uygun bir kap yerleştirin.
- Kapıyı açık bırakın, bu buz çözme işlemi hızlandıracaktır. Ayrıca dondurucu bölmenin içine sıcak su (kaynamayan) dolu bir tencere yerleştirilebilir.
- Dondurucunun içini yıkayın ve kurulaştırın.
- Cihazı kılavuzdaki ilgili noktaya göre açın.

Otomatik buzdolabı buz çözme****

Soğutucu bölmesi otomatik buz çözme fonksiyonuyla donatılmıştır. Ancak buzdolabı bölmesinin arka duvarında don oluşabilir. Bu genellikle buzdolabında büyük miktarda taze gıda ürünü saklandığında meydana gelir.

Otomatik dondurucu buz çözme****

Dondurucu bölmesi otomatik buz çözme fonksiyonu (nofrost) ile donatılmıştır. Yiyecekler soğutulmuş sirkülasyon havasında dondurulur ve dondurucu bölmesindeki nem dışarıya atılır. Bunun sonucunda dondurucuda buzlanma ve don oluşmaz ve ürünler birbiri üzerinde donmaz.

Buzdolabı ve dondurucu bölmelerinin manuel olarak yıkanması****

Soğutucu ve dondurucu bölmelerin yılda en az bir kez yıkanması tavsiye edilir. Bu sayede bakteri ve kötü koku oluşumunun önüne geçilir. Cihazı kapatın, yiyecekleri bölmelerden çıkarın ve yumuşak deterjanlı su kullanarak yıkayın. Daha sonra bölmeleri bir bezle kurulayın.

Çıkarma ve raflara yerleştirme*****

Rafı dışarı kaydırın, ardından kelepçesinin kılavuz oluğa oturabilmesi için mümkün olduğu kadar içeri doğru kaydırın.

Kapı rafının çıkarılması ve takılması*****

Kapı rafını kaldırın, çıkarın ve üstten gerekli konuma getirin.

UYARI! Dondurucuya hiçbir şekilde elektrikli ısıtıcı, ısıtıcı fan veya saç kurutma makinesi koymamalısınız.

** Dondurucu bölmeli cihazlar için geçerlidir Donmaz

Sistemli cihazlar için geçerli değildir.

*** Soğutucu bölmeli cihazlar için geçerlidir Donmaz Sistemli cihazlar için geçerli değildir.

**** Donma Önleyici Sisteme sahip cihazlar için geçerlidir.

***** Dondurucular için geçerli değildir

SORUN GİDERME

Sorunlar	Olası nedenler	Çözümler
Cihaz çalışmıyor	Elektrik devresi bozuldu	<ul style="list-style-type: none">- Fişin prize düzgün şekilde takılıp takılmadığını kontrol edin- cihazın elektrik kablosunun hasarlı olup olmadığını kontrol edin- Başka bir cihazın fişini takarak prizde voltaj olup olmadığını kontrol edin; bir gece lambası- sıcaklığı ayarlayarak cihazın açık olup olmadığını kontrol edin. Mostat'ı 0'ın üzerinde bir konuma getirin.
Odanın içindeki aydınlatma çalışmıyor	Ampul gevşek veya sigortalı (yalnızca ampullü yıldırım tipi cihazlar)	<ul style="list-style-type: none">- ampulü doğru şekilde takın veya değiştirin (yukarıdaki "İç ampulün değiştirilmesi" bölümüne bakın)
Cihaz sürekli çalışıyor	Ayar düğmesinin yanlış ayarlanması Görmek. "Cihazın içindeki sıcaklık diğer olası nedenlerin açıklanması için yeterince düşük değil	<ul style="list-style-type: none">- düğmeyi daha düşük bir konuma getirinGörmek. "Cihazın içindeki sıcaklık, diğer olası çözümlerin açıklanması için yeterince düşük değil
Cihazın alt kısmında su birikiyor	Su tahliye deliği tıkalı (modele bağlı olarak) İç hava sirkülasyonu engellendi	<ul style="list-style-type: none">- boşaltma deliğini temizleyin (kullanım kılavuzuna bakın - "Buzun çözülmesi" başlıklı bölüm). <u>buzdolabı</u>)- Yiyecekleri ve kapları buzdolabının arka duvarına değmeyecek şekilde yerleştirin
Cihaz olağandışı gürültü çıkarıyor	Cihazın yanlış hizalanması Cihaz mobilyalara ve/veya diğer nesnelere temas ediyor	<ul style="list-style-type: none">- cihazı doğru şekilde dengeleyin- cihazı çevresinde uygun açıklıklar bırakılacak bir yere yerleştirin

Sorunlar**Olası nedenler****Çözümler**

	Ayar düğmesinin yanlış ayarlanması	- düğmeyi daha yüksek bir konuma getirin
	Ortam sıcaklığı, teknik spesifikasyon tablosundaki iklim aralığından daha yüksek veya daha düşük	- cihaz, teknik özellikler tablosundaki iklim aralığında çalışmaya uyarlanmıştır.
	Cihaz güneşli bir yerde veya ısı kaynaklarının yakınında bulunuyor	- cihazı başka bir yere taşıyın. Kılavuzda yer alan yönergelere uyun
	Bir seferde çok fazla sıcak yiyecek yüklendi	- yiyecek soğuyana (donana) ve gerekli sıcaklığa ulaşana kadar 72 saat bekleyin <u>odanın içinde</u>
Cihazın içindeki sıcaklık yeterince düşük veya çok yüksek değil	İç hava sirkülasyonu engellendi	- Yiyecekleri ve kapları buzdolabının arka duvarına değmeyecek şekilde yerleştirin
	Cihazın arka kısmındaki hava dolaşımı engelleniyor	- cihazı min. Duvardan 30 mm uzakta
	Buzdolabının/dondurucunun kapısı çok sık açılıyor ve/veya çok uzun süre açık kalıyor	- kapının açılma sıklığını azaltın ve/veya kapının açık kalma süresini kısaltın
	Kapı tamamen kapanmıyor	- Yiyecekleri ve kapları kapının kapanmasına engel olmayacak şekilde yerleştirin
	Kompresör çok nadiren açılıyor	- ortam sıcaklığının iklim sınıfından düşük olup olmadığını kontrol edin
	<u>Kapı contası yanlış takılmış</u>	- contayı içeri bastırın

Buzdolabının normal kullanımı sırasında, buzdolabının doğru çalışmasını etkilemeyen bazı sesler duyulabilir.

Kolayca önlenebilecek sesler:

- düz olmayan cihazdan kaynaklanan gürültü - ayarlanabilir döndürülebilir ön ayaklarla konumu ayarlayın. Alternatif olarak, özellikle cihaz fayansların üzerine yerleştirildiğinde, arka silindirelerin altına yumuşak malzemeden yapılmış pedler yerleştirin.
- Bitişikteki mobilyaya dokunduğunuzda buzdolabını uzaklaştırın.
- çekmecelerin veya rafların gıcırdaması - çekmeceyi veya rafı çıkarıp geri koyun.
- tıngırdayan şişelerin sesleri - şişeleri birbirinden ayırın.

Normal kullanım sırasında duyulan sesler esas olarak termostatın, kompresörün (açılması) ve soğutma sisteminin (soğutucu maddenin akışı nedeniyle radyatörün termal genişmesi ve daralması) çalışmasından kaynaklanmaktadır.

KURULUM TALİMATI

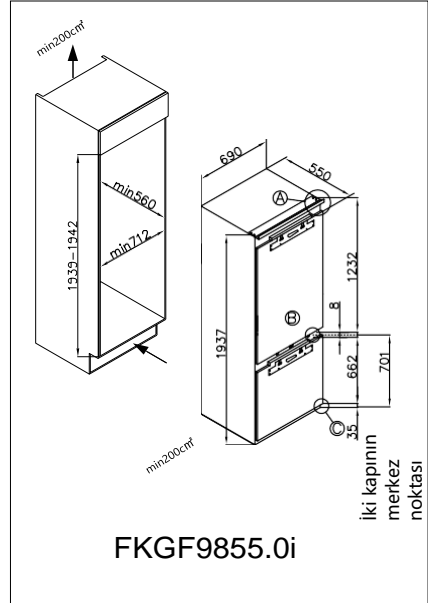
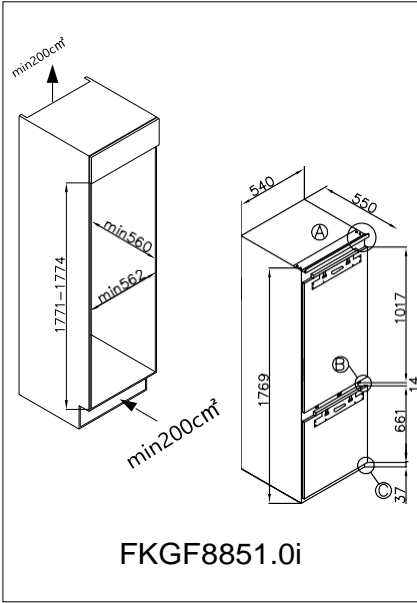
Kurulum hazırlığı

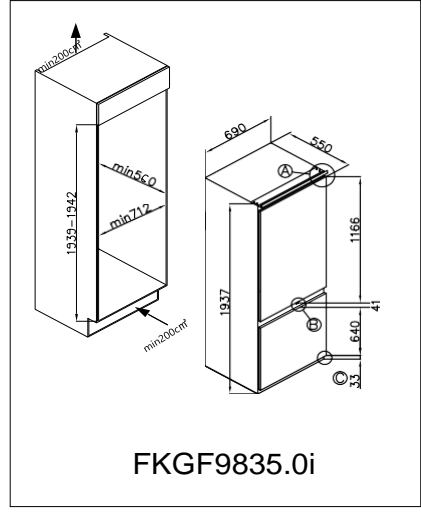
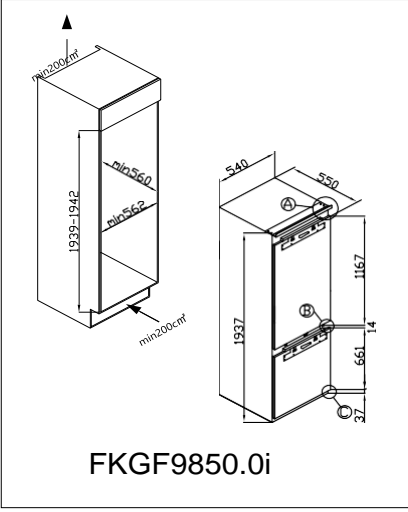
Bu cihaz asla ısı kaynaklarının yakınına kurulmamalıdır, örn. ısıtma elemanlarına veya ocaklara veya nemli yerlere koymayın.

Bu cihazın kurulumunu yaparken başka bir veya iki kişiden yardım isteyin. Bu cihazın kenarları keskin olabilir. Görev ve ortam için yeterli KKD kullanın.

- Cihazın düz durmasını sağlamak için cihazın ön kısmında bulunan yüksekliği ayarlanabilen ayakları kullanmalısınız.
- Cihazın arka tarafındaki soğutma sistemi arka duvara temas etmemelidir. Boşluk ne kadar büyük olursa o kadar iyidir.
- Cihaz yeterli havalandırma sağlanacak şekilde kurulmalıdır. Cihazın üzerinde havanın çıkmasını sağlayacak açıklık olduğundan ve cihazın arka kısmı ile duvar arasında boşluk olduğundan emin olun.

Kurulum çizimi

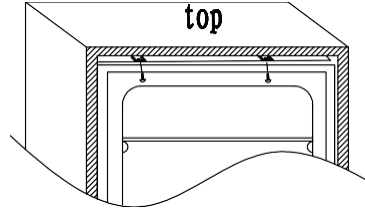
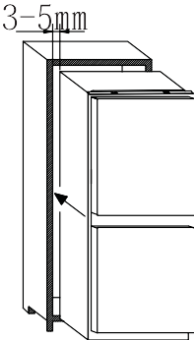




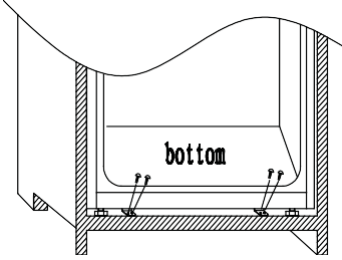
Kurulum talimatı (sürgülü menteşe)

1) Cihazı ahşap mobilyanın içine menteşelerin karşı tarafına gelecek şekilde yerleştiriniz ve aralarında 3-5 mm boşluk kalacak şekilde yerleştiriniz.

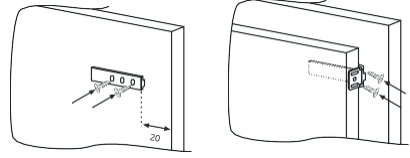
2) Sonrasında sağlamakbu arasındaki maç cihaz kapı ve kolonkapı, daha sonra vida cihazın üst kısmını kabine yerleştiriniz.



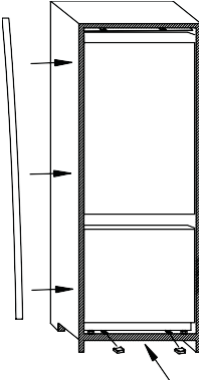
3) Cihazın alt kısmını vidalayın.



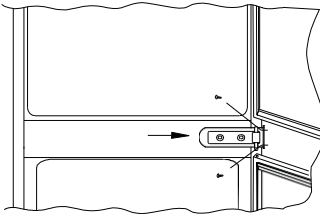
6) Sürgüyü ve sürgü tabanını ahşap kapiya ve cihaz kapısına sabitleyin



4) Contayı cihaza takın, gerekiyorsa fazla kısmını kesin. Alt parçaları plastik kapaklarla takın.

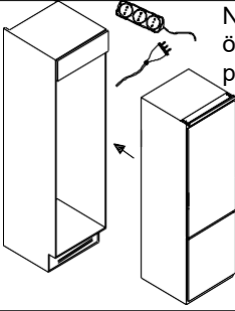


5) Sağ orta menteşenin altındaki bağlantı pimini bir çapraz tornavida kullanarak gevşetin ve sağ kabin duvarına vidalayacak şekilde ayarlayın.



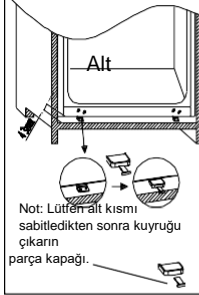
Kurulum talimatı(FIX menteşe)

1. Cihazı ahşap mobilyanın içine doğru itin, cihazın sol taraftaki mobilyaya yaklaşması daha iyi olacaktır.

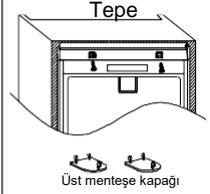


Not: Kurulmadan önce cihazın fişi prize takılmalıdır.

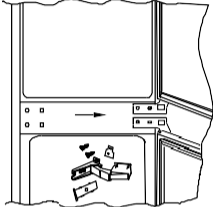
2. Cihazın konumunu ayarlayın, ürünün üst ve alt kısmını mobilyaya vidalayın.



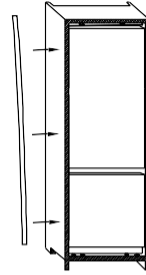
Not: Lütfen alt kısmı sabitledikten sonra kuruğu çıkarın parça kapağı.



3. Menteşeyi vidayla mobilyaya sabitleyin, dekorasyon şeridini ürünün sol tarafına takın.

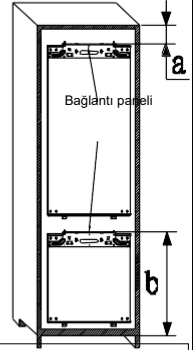
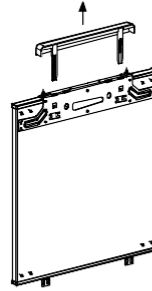


Not: Menteşeyi ara parçasıyla mobilyaya sabitleyin.



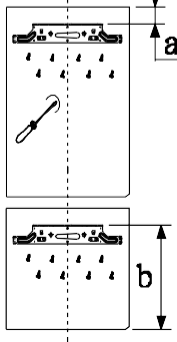
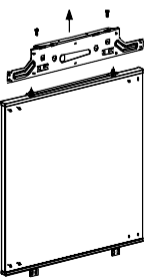
4. a ve b'deki boyutu ölçün.

Ölçmeden önce bağlantı panelini sökün.

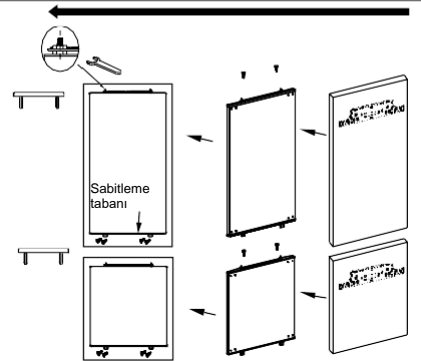


5. Bağlantı panelini mobilya kapısına sabitleyin.

Bağlantı panelinin mobilya kapısının ortasına sabitlenmesi gerekir.



6. Cihaz kapısını mobilya kapısına sabitleyiniz.

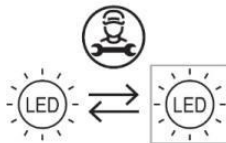


הנחיות לגבי בטיחות השימוש	156
תנאי התקנה והפעלה של המכשיר	160
ביטול האריזה	162
סילוק מכשיר ישן	162
בקורות	163
תפעול ופונקציות	165
שימוש יעיל במקרר	167
הפשרה, כביסה ותחזוקה	169
פתרון תקלות	171
הוראות הורדה	173

הנחיות לגבי בטיחות השימוש

- המכשיר מיועד לשימוש ביתי בלבד.
- היצרן שומר לעצמו את הזכות להכניס שינויים שאינם משפיעים על פעולת המכשיר.
- כמה הוראות במדריך למשתמש זה מאוחדות לקירור מחדש של מוצרים מסוגים שונים (עבור מקרר, מקרר-מקפיא או מקפיא)
- היצרן לא יישא באחריות לנזק הנובע מאי ציות להוראות הכלולות במדריך זה.
- שמור מדריך זה לעיון עתידי, או כדי להעבירו למשתמש הבא.
- מכשיר זה אינו מיועד לשימוש על ידי אנשים (כולל ילדים) עם יכולות פיזיות או נפשיות מוגבלות ואנשים חסרי ניסיון או היכרות עם המכשיר.
- אל תאפשר לילדים להשתמש במכשיר. אל תאפשר להם לשחק עם המכשיר. אסור להם לטפס בתוך המגירות ולהתנדנד על הדלתות.
- המכשיר פועל כראוי בטמפרטורת הסביבה (ראה תעודת המוצר). אין להשתמש בו במרתף, קוטג' קיץ לא מחומם במהלך הסתיו והחורף.
- בעת מיקום, הזזה, הרמת המכשיר, אל תחזיק את ידיות הדלת, אל תמשוך את המעבה בחלקו האחורי של המקרר ואל תיגע ביחידת המדחס.
- בעת הובלה, הזזה או מיקום של המקרר-מקפיא אין להטות אותו ביותר מ-40° מהמיקום האנכי. במקרה כזה, יש להפעיל את המכשיר לאחר שעתיים לפחות מהחלפתו במצב הנכון.
- הוצא את התקע משקע החשמל לפני כל פעילות תחזוקה. אל תמשוך בכבל, אלא החזיק את גוף התקע במקום זאת.
- צליל ה"פיצוץ" שהמכשיר עשוי להשמיע נגרם מהתרחבות והתכווצות של חלקים כתוצאה משונות בטמפרטורה.
- מטעמי בטיחות אל תתקן את המכשיר בעצמך. תיקונים המבוצעים על ידי אנשים שאינם בעלי הכישורים הנדרשים עלולים לגרום לסכנה חמורה עבור המשתמש במכשיר.

- אוורר את החדר בו מוצב המכשיר למשך מספר דקות (גודל החדר עבור מוצר המכיל nisobuthane/R600a ייב להיות לפחות 4 (3) מכדי למנוע נזק למערכת הקירור. אין להקפיא מחדש מוצרים שהופשרו חלקית.
- אין לאחסן משקאות בבקבוקים ופחיות, במיוחד משקאות מוגזים, בתא ההקפאה. הפחיות והבקבוקים עלולים להתפוצץ.
- אין להכניס לפה מוצרים קפואים שהוצאו ישירות מהמקפיא (לולים, קוביות קרח וכו'), הטמפרטורה הנמוכה שלהם עלולה לגרום לכוויות קור קשות.
- ודא שאינך פוגע במערכת הקירור, על ידי ניקוב צינורות הקירור במאייד או שבירת הצינורות. הקירור דליק. אם חומר הקירור יוצר מגע עם העיניים, שטפו אותן במים נקיים והזעיקו מיד לסייע רפואי.
- אם חוט החשמל נשבר, יש להחליף אותו בחדש בחנות תיקון מומחה.
- מכשיר זה מיועד לאחסון מזון, אין להשתמש בו למטרות אחרות.
- בעת ביצוע פעולות, כגון ניקוי, תחזוקה או העברה, יש לנתק את המכשיר לחלוטין מאספקת החשמל (על ידי הוצאת התקע מהשקע)
- ניתן להשתמש במכשיר זה על ידי ילדים בני 8 שנים ומעלה או על ידי אנשים עם מוגבלות פיזית, נפשית או תחושתית, או על ידי אנשים שאינם מנוסים או מכירים את המכשיר, בתנאי שהם מפוקחים או קיבלו הדרכה כיצד להשתמש בבטחה מכשיר ומכירים את הסיכונים הכרוכים בשימוש במכשיר. ודא שילדים לא ישחקו עם המכשיר. אין לבצע ניקוי ותחזוקה של המכשיר על ידי ילדים, אלא אם הם בני 8 שנים ומעלה ומפוקחים על ידי גורם מוסמך.
- על מנת לקבל יותר מקום במקפיא, ניתן להסיר את המגירות ולהניח את האוכל ישירות על המדפים. אין לכך השפעה על התכונות המכניות של המוצר וביצועי הקירור. קיבולת המקפיא המוצהרת חושבה כשהמגירות הוסרו.
- מוצר זה מכיל מקור אור שניתן להחלפה (LED) בלבד (על ידי איש מקצוע).





אזהרה: סכנת שריפה / חומרים דליקים

- ילדים מגיל 3 עד 8 רשאים להעלות ולפרוק מכשירי קירור.

כדי למנוע זיהום מזון, נא לכבד את ההנחיות הבאות:

- פתיחת הדלת לתקופות ארוכות עלולה לגרום לעלייה משמעותית בטמפרטורה בתאי המכשיר.
- נקה באופן קבוע משטחים שעלולים לבוא במגע עם מזון ומערכות ניקוז נגישות.
- אחסן בשר ודגים נאים בכלים מתאימים במקרר מחדש, כך שלא יבואו במגע או יטפטפו על מזון אחר.
- תאי מזון קפוא בדרגת שני כוכבים מתאימים לאחסון מזון קפוא מראש, אחסון או הכנת גלידה והכנת קוביות קרח.
- תאים של כוכב אחד, שני ושלושה אינם מתאימים להקפאה של מזון טרי.

	השוואות סוג	יעד טמפרטו רת אחסון[OC]	אוכל מתאים
1	מקרר	$+2 \leq +8$	ביצים, מזון מבושל, מזון ארוז, פירות וירקות, מוצרי חלב, עוגות, משקאות ומזונות אחרים אינם מתאימים להקפאה.
2	מקפיא	≤ -18	פירות ים (דגים, שרימפס, רכיכות), מוצרי מים מתוקים ומוצרי בשר (מומלץ ל-3 חודשים, ככל שזמן האחסון ארוך יותר כך הטעם והתזונה גרועים יותר), מתאים למזון טרי קפוא.
3	מקפיא	≤ -18	פירות ים (דגים, שרימפס, רכיכות), מוצרי מים מתוקים ומוצרי בשר (מומלץ ל-3 חודשים, ככל שזמן האחסון ארוך יותר, כך הטעם והתזונה גרועים יותר), אינם מתאימים למזון טרי קפוא.
4	מקפיא	≤ -12	פירות ים (דגים, שרימפס, רכיכות), מוצרי מים מתוקים ומוצרי בשר (מומלץ לחודשיים, ככל שזמן האחסון ארוך יותר, כך הטעם והתזונה גרועים יותר), אינם מתאימים למזון טרי קפוא.

5	מקפיא	≤ -6	פירות ים (דגים, שרימפס, רכיכות), מוצרי מים מתוקים ומוצרי בשר (מומלץ לחודש אחד, ככל שזמן האחסון ארוך יותר, כך הטעם והתזונה גרועים יותר), אינם מתאימים למזון טרי קפוא.
6	תא 0- כוכבים	$-6 \leq 0$	בשר חזיר טרי, בקר, דגים, עוף, כמה מזונות מעובדים ארוזים וכו' (מומלץ לאכול באותו היום, רצוי לא יותר מ-3 ימים). מזון מעובד מובלע בחלקו (מזונות שאינם ניתנים להקפאה)
7	לצנן	$2 \leq +3$	בשר חזיר טרי/קפוא, בקר, עוף, מוצרי מים מתוקים וכו' מומלץ לצרוך 7 ימים מתחת ל-0 OC ומעל 0 OC לצריכה באותו יום, רצוי לא יותר מיומיים. (פירות ים) פחות מ-0 למשך 15 ימים, לא מומלץ לאחסן מעל 0 OC)
8	אוכל טרי	$0 \leq +4$	בשר חזיר טרי, בקר, דגים, עוף, אוכל מבושל וכו' (מומלץ לאכול באותו היום, רצוי לא יותר מ-3 ימים)
9	יין	$+5 \leq +20$	יין אדום, יין לבן, יין מבעבע וכו'.

- הערה: נא לאחסן מזונות שונים לפי התאים או טמפרטורת האחסון היעד של המוצרים שנרכשו.
- אם מכשיר הקירור נשאר ריק לתקופות ארוכות, כבה, הפשיר, נקה, יבש והשאיר את הדלת פתוחה כדי למנוע היווצרות עובש בתוך המכשיר.
- ניקוי מתקן מים (מיוחד למוצרי מתקן מים): נקו מכלי מים אם לא נעשה בהם שימוש במשך 48 שעות; יש לשטוף את מערכת המים המחוברת לאספקת מים אם לא שאבו מים במשך 5 ימים.
- בהתאם לתקנת הנציבות, 2019/2019 (EU) תקופת הזמינות המינימלית של חלקי חילוף הדרושים לתיקון המכשיר היא 7 או 10 שנים בהתאם לסוג ומטרת חלק החילוף.
- רשימת החלפים והליך ההזמנה זמינים באתרי היצרן, היבואן או נציג מורשה.
- למידע נוסף על המוצר, אנא עיין במאגר המוצרים EPREL של האיחוד האירופי בכתובת <https://eprel.ec.eu-ropa.eu> למידע נוסף, אנא השתמש במכשיר הנייד שלך כדי לסרוק את קוד ה-QR בתווית האנרגיה או הזן את דגם המוצר הרשום בתווית האנרגיה במנוע החיפוש/ [EPREL https://eprel.ec.europa.eu](https://eprel.ec.europa.eu)

תנאי התקנה והפעלה של המכשיר

מכשיר קירור זה מיועד לשימוש כמכשיר מובנה.

התקנה לפני השימוש במכשיר בפעם הראשונה

- הוצא את המוצר מהארזיה, הסר את הסקוטש המגן על הדלת והציוד. ניתן להסיר את כל כתמי הדבק שנותרו בעזרת חומר עדין חומר כביסה.
- אין לזרוק את יסודות הפוליסטרין של האריזה. אם יש צורך בהובלת המקרר-מקפיא, ארזו אותו באלמנטי הפוליסטרין והסרט וכן הגן עליו עם סקוטש
- נקו את פני השטח הפנימיים של המקרר-מקפיא ואת רכיבי הציוד בעזרת חומר כביסה מומם במים פושרים, ולאחר מכן נגבו אותו יבש.
- הנח את המקרר-מקפיא על משטח אחיד, שטוח ויציב, בחדר יבש, מאוורר ומוצל, הרחק ממקורות החום כגון: תנור, כיריים, הסקה מרכזית.
- רדיאטורים, צנרת הסקה מרכזית, התקנת מים חמים וכו'.
- על המשטח החיצוני של המוצר עשוי להיות רדיד מגן, יש להסיר רדידים זה.
- ודא שהמכשיר ממוקם במצב אופקי על ידי הברגה פנימה של 2 הרגליים הקדמיות המתכווננות.
- ודא שהמרחק בין דופן המכשיר (בצד צירי הדלת) לבין הקיר מספיק כדי להבטיח שהדלת נפתחת בחופשיות.
- ודא אוורור נאות של החדר וזרימת אוויר חופשית מכל צידי המכשיר.

מרחקים מינימליים ממקורות החום

- מהגז החשמלי ותנורים אחרים - 30 מ"מ,
- מתנורים שנבעו על ידי נפט או פחם - 300 מ"מ,
- מתנורים מובנים - 50 מ"מ

אם אין אפשרות להבטיח את המרחקים שהוזכרו לעיל, ספק לוח בידוד מתאים.

אזהרה:

- הקיר האחורי של המקרר, בפרט, המעבה ושאר האלמנטים של מערכת הקירור אינם חייבים ליצור קשר עם אלמנטים אחרים, אשר עלולים לפגוע בהם, (למשל צינורות הסקה מרכזית וצינורות אספקת המים).
- אסור לשנות או לשנות את כל חלקי היחידה. חשוב לא לפגוע בצינור הנימים הנראה בשקע המדחס, אסור לכופף, ליישר או לפצוע את הצינור.
- אם הצינור הנימים ניזוק על ידי המשתמש האחריות תבוטל.
- בדגמים מסוימים הידית מוכנסת למכשיר, עליך להבריג אותה עם מברג משלך,

חיבור לרשת

- לפני החיבור, מומלץ להגדיר את כפתור בקרת הטמפרטורה למצב "OFF" או למצב אחר שמנתק את המכשיר מהחשמל.
- אספקה (ראה עמוד עם תיאור הבקרה).
- יש לחבר מכשיר זה לשקע אספקת AC 220-240V 50Hz. השקע חייב להיות מותקן כהלכה, וחייב להיות מסופק עם צינור הארקה ונת"ך A.10

- זוהי דרישה משפטית שהמכשיר יהיה מוארק כהלכה. היצרן לא יישא באחריות לכל נזק או פגיעה שעלולים להיגרם מאי מילוי דרישה זו.
- אין להשתמש במתאמים, בשקעים מרובים ובכבלי הארכה דו-חוטי. אם יש צורך להשתמש בכבל ההארכה, עליו להיות מצויד בטבעת הגנה ושקע יחיד ועליו להיות בעל תעודת בטיחות VDE/GS.
- אם נעשה שימוש בכבל מאריך (עם טבעת הגנה ותעודת בטיחות), השקע שלו חייב להיות ממוקם במרחק בטוח, הרחק מהכורים, ואסור להיות במקום שבו הוא עלול להיות מוצף במים או בשפכים.
- עיין בלוחית הסוג בחלק התחתון של הקיר הפנימי של המכשיר למפרט מפורט.**

ניתוק רשת החשמל

ודא שניתן לנתק את המכשיר בקלות מהרשת, או על ידי הוצאת התקע משקע החשמל, או על ידי כיבוי המתג הדו-קוטבי.

טווח אקלים

המידע על טווח האקלים של המכשיר מסופק על הלוח המדורג או על לוח הקרטון.

כיתת אקלים		טמפרטורת סביבה מותרת
o"n	טמפרטורה מורחב	מכשיר קירור זה מיועד לשימוש בטמפרטורת סביבה הנעה בין 10°C ל-32°C
N	ממוזג	מכשיר קירור זה מיועד לשימוש בטמפרטורת סביבה הנעה בין 16 מעלות צלזיוס ל-32 מעלות צלזיוס
רחוב	סוב טרופי	מכשיר קירור זה מיועד לשימוש בטמפרטורת סביבה הנעה בין 16 מעלות צלזיוס ל-38 מעלות °C
T	טרופי	מכשיר קירור זה מיועד לשימוש בטמפרטורת סביבה הנעה בין 16 מעלות צלזיוס ל-43 מעלות °C

*רק מכשירי חשמל עצמאיים
**לפי הדגם

ביטול האריזה

במהלך ההובלה, נעשה שימוש באריזה מגן כדי להגן על המכשיר מפני כל נזק. לאחר פירוק, נא להשליך את כל רכיבי האריזה באופן שלא יגרום נזק לסביבה.



כל החומרים המשמשים לאריזת המכשיר הם ידידותיים לסביבה; הם

100% ניתנים למיחזור ומסומנים בסמל המתאים. חשוב! חומרי אריזה (שקיות, פוליאטילן, פוליסטירן וכו') יש להרחיק מילדים במהלך הפריקה.

סילוק מכשיר ישן

בהתאם להנחיה האירופית EU 2012/19 ולחקיקה המקומית בנוגע למוצרים חשמליים ואלקטרוניים משומשים, מכשיר זה מסומן בסמל של מיכל הפסולת עם חוצה. סימון זה מציין שאסור להשליך את המכשיר יחד עם פסולת ביתית אחרת לאחר השימוש בו.



המשתמש מחויב למסור אותו למרכז איסוף פסולת באיסוף מוצרי חשמל ואלקטרוניקה משומשים. האספנים, כולל נקודות איסוף מקומיות, חנויות ומחלקות הרשויות המקומיות מספקים תוכניות מיחזור.

טיפול נכון במוצרים חשמליים ואלקטרוניים משומשים מסייע למנוע סכנות סביבתיות ובריאותיות הנובעות מנוכחות רכיבים מסוכנים ומאחסון ועיבוד בלתי הולם של מוצרים כאלה.



① ② ③ ④ ⑤ ⑥ ⑦ ⑧

1. בפעם הראשונה של הפעלת המכשיר, מכשיר זה עובד תמיד בהגדרות: 5°C עבור מקרר, 0°C עבור My Zone ו- 18°C עבור מקפיא. אם ברצונך לכוון את הטמפרטורה או הפונקציית באופן ידני, לחץ על הלחצן כדי לבצע את הפעולות. טווחי טמפרטורה של אזור הסתגלות מ- 3°C עד 3.3°C

2. התאמת טמפרטורת המקרר - לחץ על הלחצן ④ בחלק השמאלי של לוח הבקרה כדי להשיג טמפרטורות שונות מ- 2°C עד 8°C .

3. כוונון טמפרטורת המקפיא - לחץ על הלחצן ⑤ בחלק הימני של לוח הבקרה כדי להשיג טמפרטורות שונות מ- 15°C עד 25°C .

4. פונקציית כוונון מגירת My Zone: כפתור זה ① שולט בטמפרטורה. על ידי לחיצה על כפתור זה, הספרה תעבור מ- 3° ל- $+3^{\circ}$. פונקציה זו יכולה להיות מופעלת/כבויה על ידי לחיצה מתמשכת במשך שלוש שניות.

5. פונקציית קירור מהיר – לחץ על כפתור ②, נורית הלחצן מאירה ופונקציית הקירור המהיר נדלקת, המקרר מתחיל לעבוד אוטומטית בטמפרטורה של 2°C ונפסק לאחר 24 שעות, נורית הסמל מבטלת.

6. פונקציית חג-לחץ על כפתור ③, נורית הכפתור מאירה, פונקציית החג מופעלת וכל המכשיר מתחיל לעבוד אוטומטית בהגדרות: מקרר ב-17 מעלות ומקפיא ב-18 מעלות.

7. פונקציית אקו - לחץ על כפתור ⑥ בלוח הבקרה, פונקציית eco מופעלת והלחצן מואר, תא המקרר פועל בהגדרה של 5°C ותא ההקפאה פועל בהגדרה של 18°C . אזור ההסתגלות פועל בהגדרה של 3.3°C .

8. פונקציית הקפאה מהירה - לחץ על כפתור ⑦, נורית הכפתור מאירה והמקפיא מתחילים לעבוד בפונקציית הקפאה מהירה, הגדרת טמפרטורה 25°C . לאחר 24 שעות, פונקציית ההקפאה המהירה נפסקת אוטומטית.

9. לחץ על הלחצן ⑧ למשך 3 שניות כדי לכבות את המכשיר והלחצן מואר, החשמל מנותק. מנורות פנימיות מבטלות, המדחס מפסיק לעבוד. לחץ על הלחצן ⑧ למשך 3 שניות כדי להפעיל את המכשיר שלך, הסמל מואר והחשמל מחובר שוב.

מידע נוסף על הטמפרטורה

- הטמפרטורה בתוך המכשיר מושפעת מגורמים רבים. אופן הגדרת חוגת בקרת הטמפרטורה תלוי בטמפרטורת הסביבה, בחשיפה לשמש, בתדירות הפתיחה של הדלת ובכמות המזון המאוחסנת. ההגדרה האמצעית של החוגה היא האופטימלית ביותר ברוב המקרים.
- אין להכניס מזון למקרר למקפיא לפני שהגיע לטמפרטורת הפעולה שלו, הנמשכת לפחות 4 שעות.
- אין לשנות את הגדרות הטמפרטורה עקב שינוי בעונת השנה. עליית טמפרטורת הסביבה תזוהה על ידי החיישן והמדחס יופעל אוטומטית למשך זמן ארוך יותר על מנת לשמור על הטמפרטורה שנקבעה בתוך החדרים.
- השינויים הקלים בטמפרטורה הם נורמליים לחלוטין ועשויים להתרחש, למשל במהלך אחסון של כמויות גדולות של מוצרים טריים במקרר, או כאשר הדלת פתוחה למשך זמן ארוך יותר. הדבר לא ישפיע על מצב המזון המאוחסן, והטמפרטורה תחזור במהירות לערך שנקבע.

קוד שגיאה

למכשיר זה יש פונקציית 'הצגת תקלות ואזעקה'. ברגע שהחיישנים תקועו, יש אזעקות שמוצגות על תצוגת הטמפרטורה, המכשיר עדיין מתקרר אבל יש לקרוא למהנדס שירות מקצועי ולבדוק את המכשיר.

F2- חיישן של אזור הסתגלות

F3- חיישן דירת מקרר

F4- חיישן תא הקפאה

F5- חיישן הפשרה

2E- תקלה של מאוורר/מנוע במקפיא

CE- תקלת תקשורת בין הפאנל הראשי ללוח התצוגה. השגיאות לעיל מוצגות

רק בתצוגה, ללא קול

אזעקת טמפרטורת יתר במקפיא: לאחר שטמפרטורת המקפיא מגיעה לטמפרטורה שנקבעה, לאחר מכן, אם הטמפרטורה עולה ל-1 מעלות צלזיוס, האזעקה תתחיל, מלווה בהבהב של ספרת טמפרטורת המקפיא. לחץ על כפתור כלשהו כדי לבטל את ההתראה הקולית. ההבזק יישאר עד שהטמפרטורה תהיה <-1 מעלות צלזיוס.
נ.ב.: הלוח הראשי מתמקם בתא המדחס

תפעול ופונקציות

אחסון מזון במקרר-מקפיא

- את המוצרים יש להניח על צלחות, במיכלים או לארוז בעטיפת מזון. מפזרים אותם באופן שווה על המדפים.
- אם המזון נוגע בדופן האחורית, זה עלול לגרום להרטבה או הרטבה של המוצרים.
- אין להכניס כלים עם אוכל חם למקרר
- מוצרים הסופגים טעמים בקלות כמו חמאה, חלב, גבינה לבנה ומוצרים בעלי טעם עז, כמו דגים, בשר מעושן, גבינה קשה חייבים להיות מונחים על המדפים, ארוזים באריזת מזון או בכלים אטומים היטב.
- אחסון ירקות המכילים כמויות משמעותיות של מים יגרום להשקעת עיבוי על מיכלי הירקות, אין בכך כדי לפגוע בתפקוד התקין של המקרר.
- לפני הכנסת הירקות למקרר יש לייבש אותם היטב.
- לחות מוגזמת מקצרת את חיי המדף של הירקות, במיוחד הירקות בעלי העלים.
- אין לשטוף את הירקות לפני האחסון במקרר. הכביסה מסירה את ההגנה הטבעית, לכן עדיף לשטוף את הירקות ישירות לפני הצריכה.
- מומלץ להניח את המוצרים במגירות מקפיא 1, 2, 3* עד כושר העמסה טבעי**.

מוצרים ארוזים	1.
מדף	2.
יכולת העמסה טבעית	3.

- ערימת מוצרים על מדפי המקפיא מקובלת*.
- מקובל למקם מוצרים מעבר ליכולת הטעינה הטבעית ב-20-30 מ"מ**.
- על מנת להגדיל את כושר ההעמסה של תא ההקפאה ולאפשר ערימת מוצרים על מדפי תיל מאיד המקפיא עד לגובה מקסימלי ניתן להסיר מגירות 1 ו-2*.

הקפאת מזון**

- ניתן להקפיא כמעט את כל מוצרי המזון, למעט ירקות הנצרכים גולמיים, כגון חסה.
- יש להקפיא רק מוצרי מזון באיכות הגבוהה ביותר, המחולקים למנות קטנות לשימוש חד פעמי.
- מוצרים צריכים להיות ארוזים בחומרים חסרי ריח, עמידים בפני חדירת אוויר ולחות ואינם רגישים לשומן. שקיות ניילון, יריעות פוליאיתילן ואלומיניום הם חומרי העטיפה הטובים ביותר.
- האריזה צריכה להיות הדוקה וצריכה להיצמד למוצרים הקפואים. אין להשתמש במיכלי זכוכית.
- הרחק ממוצרי מזון טריים וחמים בטמפרטורת הסביבה מהמוצרים שכבר הוקפאו.
- אנו ממליצים לך לא להכניס יותר מזון טרי בכל פעם למקפיא ליום (ראה טבלה עם מפרט טכני).
- על מנת לשמור על איכות אופטימלית של המזון הקפוא יש לארגן מחדש את המזון שנמצא באמצע המקפיא, כך שלא יגע במוצרים שעדיין לא קפואים.
- מומלץ להעביר את המוצרים שכבר קפואים לצד אחד ולהניח את המוצרים הטריים שאמורים להקפיא בצד הנגדי, כמה שיותר קרוב לדופן האחורית והצדדית.

- כדי להקפיא מוצרים, השתמש ברווח המסומן
- זכור כי הטמפרטורה במקפיא מושפעת ממספר גורמים, לרבות טמפרטורת הסביבה וכמות מוצרי המזון בתא, תדירות פתיחת הדלת, כמות הכפור במקפיא והגדרת התרמוסטט.
- אם אינך יכול לפתוח את דלת המקפיא מיד לאחר סגירתה, המתן 1-2 דקות עד שהלחץ השלילי יפצה, ונסה שוב לפתוח את הדלת.

זמן האחסון של מוצרים קפואים תלוי באיכותם לפני ההקפאה כשהם טריים ובטמפרטורת האחסון. תקופות האחסון הבאות מומלצות כאשר הטמפרטורה של 18- מעלות צלזיוס או פחות נשמרת:

מוצרים	חודשים
בשר בקר	6-8
עגל	3-6
טפלי עוף	1-2
בשר חזיר	3-6
עופות	6-8
ביצים	3-6
דג	3-6
ירקות	10-12
פרי	10-12

אין לאחסן מזון קפוא בתא קירור מהיר. ניתן להכין ולאחסן קוביות קרח בתא זה.

(אינו מתאים,



הערה: אם למכשיר אין תא הקפאה) להקפאת מוצרי מזון.

*מתאים למכשירים עם תא הקפאה בתחתית המכשיר.
 **מתאים למכשירים עם תא הקפאה
 ***לא רלוונטי למכשירים עם תא הקפאה מסומן

שימוש יעיל במקרר

טיפים מעשיים יומיומיים

- אין למקם מקררים או מקפיאים ליד רדיאטורים, תנורי חימום, כיריים או באור שמש ישיר.
- ודא שפתחי האוורור אינם מכוסים ונקה מהם את האבק פעם או פעמיים בשנה.
- בחר את הטמפרטורה הנכונה: 6 עד 8 מעלות צלזיוס במקרר שלך ו-18 מעלות צלזיוס במקפיא מספיקים.
- בחופשה, הגבירו את הטמפרטורה במקרר שלכם.
- פתחו את המקרר או המקפיא רק כשצריך. זה עוזר אם אתה יודע איזה מזון כל אחד מכיל והיכן הוא ממוקם. החזר את המזון למקרר או למקפיא בהקדם האפשרי לאחר שהשתמשת בו כדי שלא יתחמם יותר מדי.
- נגב את פנים המקרר שלך באופן קבוע עם מטלית ספוגה בחומר ניקוי עדין. מכשירי חשמל שאינם הפשרה עצמית ידרשו הפשרה קבועה. אין לאפשר לשכבות כפור עבות מ-10 מ"מ להיווצר.
- שמור על האיטום סביב הדלת נקי, אחרת היא לא תיסגר כראוי. החלף תמיד אטמים שבורים.

הבנת הכוכבים

הטמפרטורה היא לפחות 6- מעלות צלזיוס; מספיק לאחסן מזון קפוא למשך כשבוע. מגירות או תאים המסומנים בכוכב אחד היו בעבר מאפיין של (בעיקר) מקררים זולים יותר.

ניתן לאחסן מזון ב-12 מעלות צלזיוס ומטה למשך 1-2 שבועות מבלי לאבד את טעמו. לא מתאים להקפאת מזון.

דירוג זה משמש בעיקר לאחסון מזון ב-18 מעלות צלזיוס ומטה. ניתן להשתמש גם להקפאה של עד 1 קילוגרם של מזון טרי.

מכשיר זה מתאים לאחסון מזון ב-18 מעלות צלזיוס ומטה. הקפאת כמויות גדולות יותר של מזון טרי.

עצות מעשיות

- בשל זרימת האוויר הטבעית במכשיר, ישנם אזורי טמפרטורה שונים בתא המקרר. האזור הקר ביותר נמצא ישירות מעל מגירות הירקות. השתמש באזור זה עבור כל מזון עדין ומתכלה מאוד, למשל:
אחסון חמאה וגבינה
- מוצרי נקניק, ארוחות מוכנות
- תבשילים או מאפים המכילים ביצים או שמנת
- דוגן טרי, תערובות עוגה
- ירקות ארוזים מראש ומזון טרי אחר עם תווית המציינת כי יש לשמור אותו בטמפרטורה של כ-4 מעלות צלזיוס.
- האזור החם ביותר נמצא בחלק העליון של הדלת. השתמשו בו לאחסון חמאה וגבינה.

מזון שאסור לאחסן במקרר

- לא כל מזון מתאים לאחסון במקרר, במיוחד:
 - פירות וירקות רגישים לקור כמו בננות, אבוקדו, פפאיה, פסיפלורה, חצילים, פלפלים, עגבניות ומלפפונים.
 - פרי שעדיין לא בשל
 - תפוחי אדמה

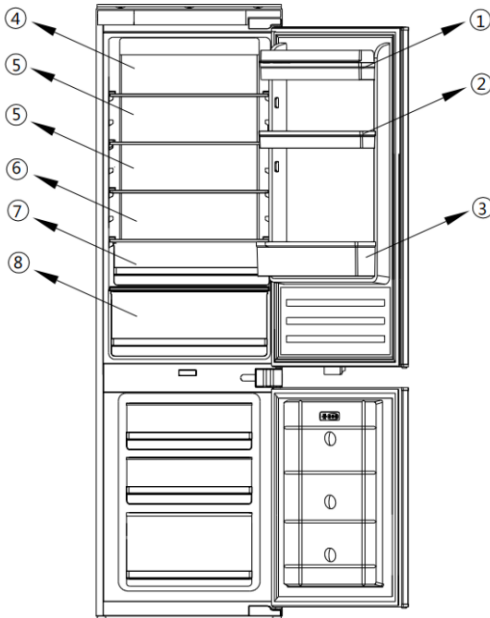
אזהרה:

דוגמה לאחסון המזון - ראה להלן

כדי להשיג את שימור המזון היעיל ביותר למשך הזמן הארוך ביותר האפשרי ולמנוע בזבז מזון כלשהו, מקם את המוצרים כפי שמוצג באיור 12. בנוסף, איור זה ממחיש את פריסת המגירות, הסלסילות והמדפים, המאפשרת את השימוש היעיל ביותר של אֶנְרְגְיָה.

טמפרטורה ותנאי אחסון אופטימליים יאריכו את חיי המדף של המוצר ויטיבו את צריכת החשמל. יש לציין טווח טמפרטורות אחסון אופטימלי על אריזת מוצרי המזון.

חלק המקרר מיועד לאחסון מזון לטווח קצר. למרות שניתן לשמור על טמפרטורות נמוכות, תקופות ממושכות של אחסון מזון אינן מומלצות. כשהאוויר הקר מסתובב בתוך המקרר, הטמפרטורה יכולה להשתנות בין החלקים השונים. ככזה, יש לאחסן מזון בחלקים שונים לפי סוג.



1. חמאה, גבינות וכו'.
2. אוכל בצנצנות ובבקבוקים
3. משקאות, למשל. חלב
4. אוכל מבושל
5. יוגורטים, שימורים וכו'.
6. בקבוקי 75 cl או ארוחות מוכנות וכו'.
7. פירות וירקות
8. בשר ודגים טריים/פירות וירקות

ניתן להזיז את מדפי המקרר בהתאם לדרישות האחסון בתוך סעיף המקרר. כדי להזיז את המדף, הרים את החלק האחורי ולאחר מכן משוך אותו החוצה. התצורה החסכונית ביותר באנרגיה דורשת למקם מגירות, קופסת מזון ומדפים במוצר, אנא עיין בתמונות לעיל.

הפשרה, כביסה ותחזוקה

לעולם אל תנקה את מעטפת המוצר או חלקי הפלסטיק באמצעות ממיסים או חומרי ניקוי חזקים ושוחקים (כגון אבקות כביסה או קרמים)! השתמש בחומרי ניקוי נוזליים עדינים ובמטליות רכות בלבד. אין להשתמש בספוגים.

הפשרה של המקרר**

- כפור מתיישב על הקיר האחורי של תא המקרר. הוא מוסר אוטומטית. במהלך ההפשרה, הקונדנסט, המכיל מזהמים, עלול לסתום את הפתח במעבר. אם זה יקרה, פתח בזהירות את הפתח עם תקע הניקוי.
- המכשיר פועל במחזוריות: הוא מקרר (ואז הכפור מתיישב בחלק האחורי קיר), ומפשיר (מים זורמים במורד הקיר האחורי).
- נתק את המכשיר מהחשמל לפני הניקוי על ידי הוצאת התקע משקע החשמל או ניתוק הניתך. מניעת חדירת מים ללוח הבקרה או לאור.
- אין להשתמש באירוסולים להפשרה. הם עלולים לגרום להיווצרות תערובת נפיצה, או להכיל ממיסים שעלולים לפגוע ברכיבי הפלסטיק של המכשיר ואף להזיק לבריאות.
- ודא שהמים המשמשים לניקוי אינם זורמים לתוך מיכל האידוי דרך פתח הפריקה.
- יש לנקות את כל המכשיר, מלבד אטם הדלת, עם חומר ניקוי עדין. יש לנקות את אטם הדלת במים ולנגב יבש.
- שטפו את כל האביזרים (מכלי ירקות, מדפי דלת, מדפי זכוכית וכו').

הפשרה של המקפיא**

- מומלץ לשלב הפשרה של המכשיר עם שטיפתו.
- הצטברות יתר של קרח באזורי הקפאה פוגעת ביכולת ההקפאה של המכשיר ומגבירה את צריכת האנרגיה.
- הפשר את המכשיר לפחות פעם או פעמיים בשנה. במקרה של הצטברות קרח גבוהה יותר, יש לבצע הפשרה בתדירות גבוהה יותר.
- אם יש מזון במקפיא, כווננו את הכפתור למקסימום. מיקום כ-4 שעות לפני הפשרה המתוכננת. זה יבטיח את האפשרות לאחסן את המזון בטמפרטורת הסביבה למשך זמן ארוך יותר.
- לאחר הוצאת המזון מהמקפיא, הכניסו אותו לכלי, עטפו אותו במספר שכבות נייר, שמיכה ואחסנו במקום קריר.
- פעולת ההפשרה צריכה להימשך כמה שיותר קצר. אחסון ארוך של מזון בטמפרטורת הסביבה מקצר את חיי המדף שלהם.

להפשיר את תא ההקפאה לפי השלבים**:

- החלף את המכשיר באמצעות לוח הבקרה ומשך את התקע מהשקע..
- פתחו את הדלת והוציאו את המזון מהמקפיא.
- בהתאם לדגם, משוך החוצה את צינור הניקוז שנמצא בתחתית תא ההקפאה ומניח מתחתיו כלי מתאים.
- השאר את הדלת פתוחה, זה יאיץ את תהליך ההפשרה. בנוסף, ניתן להניח סיר עם מים חמים (לא רותחים) בתוך תא ההקפאה.
- שטפו את פנים המקפיא ונגבו אותו יבש.
- הפעל את המכשיר בהתאם לנקודה הרלוונטית במדריך.

הפשרה אוטומטית במקרר****

תא המקרר צויד בפונקציית הפשרה אוטומטית. עם זאת, כפור עלול להתיישב על הקיר האחורי של תא המקרר. זה קורה בדרך כלל, כאשר כמויות גדולות של מוצרי מזון טריים מאוחסנים במקרר.

הפשרה אוטומטית במקפיא****

תא ההקפאה צויד בפונקציית הפשרה אוטומטית (nofrost). המזון מוקפא באוויר המחזור המקורר, והלחות מתא ההקפאה נפלטה החוצה. כתוצאה מכך, לא נוצר קרח וכפור במקפיא והמוצרים אינם קופאים זה על זה.

שטיפה ידנית של תאי המקרר והמקפיא****

מומלץ לשטוף את תאי המקרר והמקפיא לפחות פעם בשנה. זה מונע היווצרות של חיידקים וריח רע. כבה את המכשיר, הסר את המזון מהתאים ושטוף אותם במים עם חומר ניקוי עדין. לאחר מכן, נגב את החדרים יבשים עם מטלית.

מוציא ומכניס את המדפים*****

החלק את המדף החוצה, ואז החלק אותו פנימה ככל האפשר כך שהמהדק שלו יוכל להתאים לחרוץ המנחה.

מוציא ומכניס את מדף הדלת*****

הרם את מדף הדלת, הסר אותו והחזיר אותו מלמעלה למצב הרצוי.

אזכרה! אסור להכניס תנור חימום חשמלי, מאוורר חימום או מייבש שיער למקפיא בשום אמצעי.

ישים למכשירים עם תא הקפאה לא ישים למכשירים עם מערכת ללא פרוסט. **
ישים למכשירים עם תא מקרר לא ישים למכשירים עם מערכת ללא פרוסט. ***
מתאים למכשירים עם מערכת ללא פרוסט. ****
לא חל על מקפיאים ****

פתרון תקלות

תרופות	סיבות אפשריות	בעיות
- בדוק אם התקע מוכנס כהלכה - בדוק אם כבל החשמל של המכשיר אינו פגום		
- בדוק אם יש מתח בשקע, על ידי חיבור מכשיר אחר, למשל. מנורת לילה - בדוק אם המכשיר מופעל על ידי הגדרת ה- רובסט למיקום מעל 0.	המעגל החשמלי מופרע	המכשיר אינו פועל
-התקן את הנורה בצורה נכונה או החלף אותה (ראה סעיף לעיל "החלפת הנורה הפנימית")	הנורה רופפת או התמזגה (רק מכשירים עם סוג ברק של נורה)	התאורה בתוך החדר לא עובדת
-אפס את הכפתור למצב נמוך יותר	הגדרה שגויה של כפתור הכונון	
לראות. "הטמפרטורה בתוך המכשיר אינה נמוכה מספיק לתיאור של סיבות אפשריות אחרות	לראות. "הטמפרטורה בתוך המכשיר אינה נמוכה מספיק לתיאור של סיבות אפשריות אחרות	המכשיר פועל ברציפות
-נקה את פתח הפריקה (ראה מדריך ההפעלה - פרק "הפשרת מקרר")	פתח יציאת המים סתום (תלוי בדגם)	מים נאספים בחלק התחתון של המכשיר
-הנח את המזון והמיכלים בצורה כזו שלא יגעו בדופן האחורית של המקרר	זרימת האוויר הפנימית חסומה	
-יש ליישר את המכשיר כראוי	פילוס לא נכון של המכשיר	
-הנח את המכשיר במקום המבטיח מרווחים נאותים סביבו	המכשיר נוגע ברהיטים ו/או בחפצים אחרים	המכשיר מייצר רעש יוצא דופן

טרופות	סיבות אפשריות	בעיות
-אפס את הכפתור למצב גבוה יותר	הגדרה שגויה של כפתור הכוונן	
-המכשיר מותאם לפעולה בטווח האקלים משולחן עם מפרט טכני.	טמפרטורת הסביבה גבוהה או נמוכה מטווח האקלים מהטבלה עם מפרט טכני	
-להעביר את המכשיר למקום אחר. שים לב להנחיות הכלולות במדריך	המכשיר ממוקם במקום מואר שמש או ליד מקורות חום	
-המתן 72 שעות עד שהמזון יתקרר (קופא) והגעה לטמפרטורה הנדרשת בתוך החדר	יותר מדי אוכל חם נטען בכל פעם	
-הנח את המזון והמיכלים בצורה כזו שלא יגעו בדופן האחורית של המקרר	זרימת האוויר הפנימית חסומה	הטמפרטורה בתוך המכשיר אינה נמוכה מספיק או גבוהה מדי
-הזז את המכשיר למינימום. במרחק של 30 מ"מ מהקיר	זרימת האוויר בחלק האחורי של המכשיר חסומה	
-להפחית את תדירות פתיחת הדלת ו/או לקצר את הזמן שבו הדלת נשארת פתוחה	דלת המקרר/מקפיא נפתחת לעתים קרובות מדי ו/או נשארת פתוחה זמן רב מדי	
-הנח את המזון והמיכלים כך שלא יפריעו לדלת סגורה	הדלת לא נסגרת לגמרי	
-בדוק אם טמפרטורת הסביבה אינה נמוכה מדרגת האקלים	המדחס מופעל לעתים רחוקות מדי	
-לחץ על האטם פנימה	אטם הדלת הוכנס בצורה לא נכונה	

ניתן לשמוע צלילים מסוימים במהלך שימוש רגיל במקרר, שאינם משפיעים על פעולתו הנכונה.

צלילים, שניתן למנוע בקלות:

- רעש הנגרם על ידי המכשיר שאינו מפולס - כוונן את המיקום עם הרגליים הקדמיות המתכווננות. לחלופין, הנח רפידות העשויות מחומר רך מתחת לגלילים האחוריים, במיוחד כאשר המכשיר מונח על אריחים.
- נגיעה ברהיט הסמוך - הרחק את המקרר.
- חריקות של המגירות או המדפים - להוציא ולהחזיר את המגירה או המדף.
- קולות של צלולים של בקבוקים - הזיזו בקבוקים זה מזה.

צלילים הנשמעים בשימוש רגיל נובעים בעיקר מהפעלת התרמוסטט, המדחס (הפעלה) ומערכת הקירור (התרחבות תרמית והתכווצות הרדיאטור הנגרמת מזרימת חומר הקירור).

הוראות הורדה

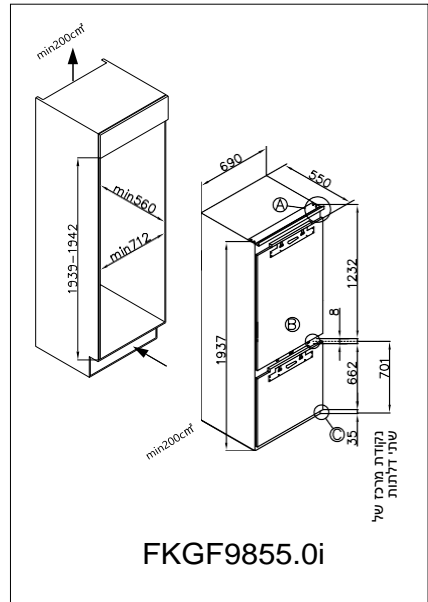
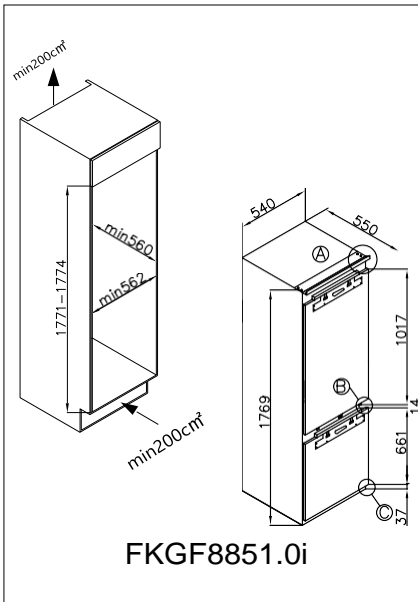
הכנה להתקנה

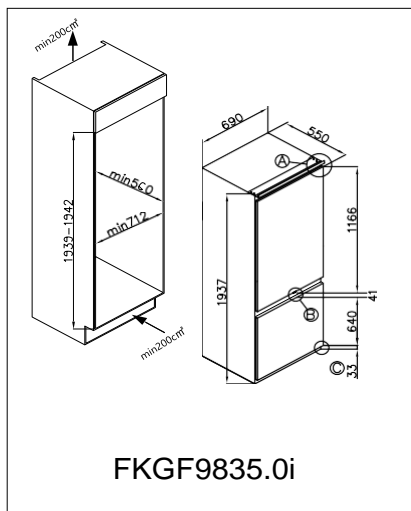
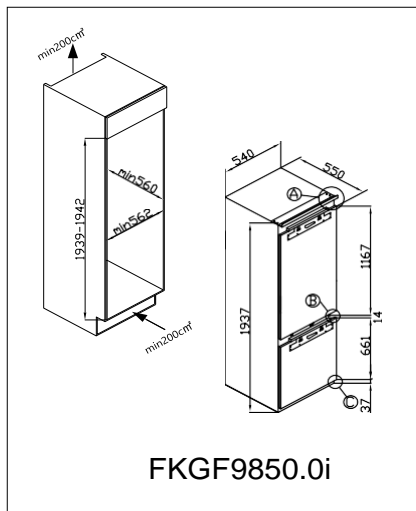
אסור להתקין מכשיר זה קרוב למקורות חום, למשל. גופי חימום או כיריים, ולא במקומות לחים.

חפש את עזרתו של אדם אחר, או שניים, בעת התקנת מכשיר זה. למכשיר זה עשויים להיות קצוות חדים. ללבוש PPE מתאים למשימה ולסביבה.

- כדי להבטיח שהמכשיר ישר, עליך להשתמש בכפות הרגליים המתכווננות לגובה בחזית המכשיר.
- אסור שמערכת הקירור בחלק האחורי של המכשיר תיגע בקיר האחורי. ככל שהפער גדול יותר, כך ייטב.
- יש להתקין את המכשיר עם אוורור נאות. ודא שיש מרווח מעל המכשיר כדי לאפשר לאוויר לצאת ושיש רווח בין החלק האחורי של המכשיר לקיר.

ציור התקנה

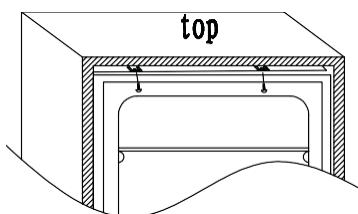
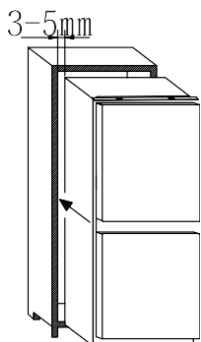




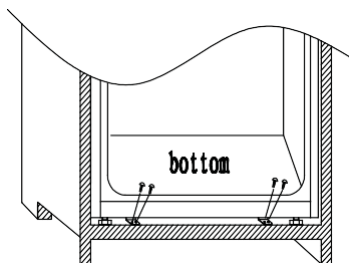
הוראות התקנה (ציר הזזה)

1) הכנס את המכשיר לתוך רהיטי העץ, הנח אותו במקום הנגדי של הצירים, וודא מרחק של 3-5 מ"מ.

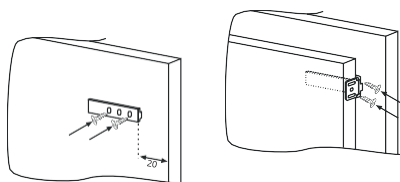
2) לאחר אישור שהתקן הדלת מתאים לעמוד הדלת, הקש על החלק העליון של התקן הדלת



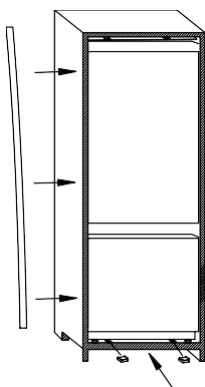
3 הברג את החלק התחתון של המכשיר.



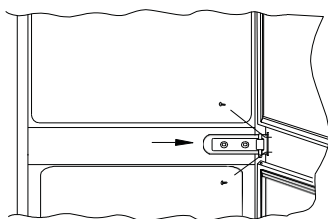
6 קבע את המחווון ובסיס המחווון על דלת העץ ודלת המכשיר



4 התקן את האטם למכשיר, חתוך את החלק המוגזם במידת הצורך. התקן את החלקים התחתונים בכיסויי פלסטיק.

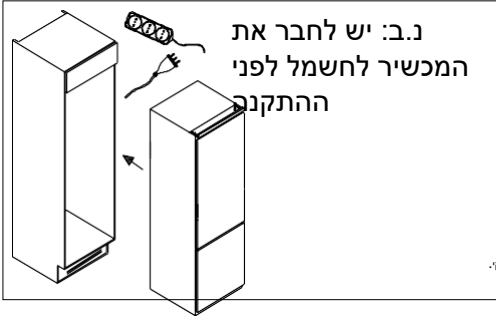


5 השתמש במברג צולב כדי לשחרר את פין החיבור מתחת לצינור האמצעי הימני, והתאם להברגה על קיר הארון הימני.

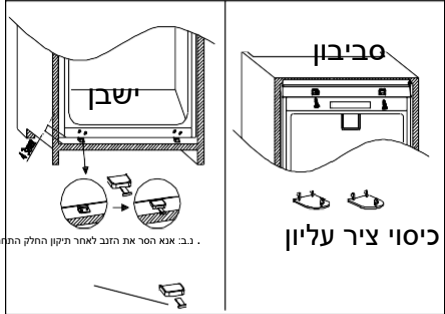


הוראות התקנה (ציר לתקן)

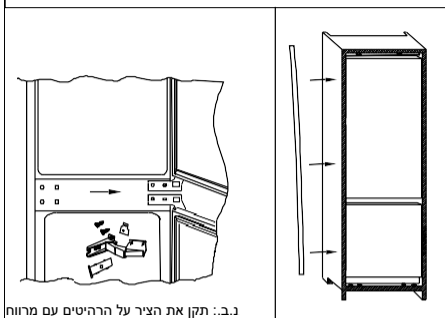
1. דחפו את המכשיר לתוך הרהיט העץ, המכשיר צריך להיות טוב יותר לגשת לרהיטים בצד שמאל.



2. התאימו את מיקום המכשיר, הבורג את החלק העליון והתחתון של המוצר על הרהיטים



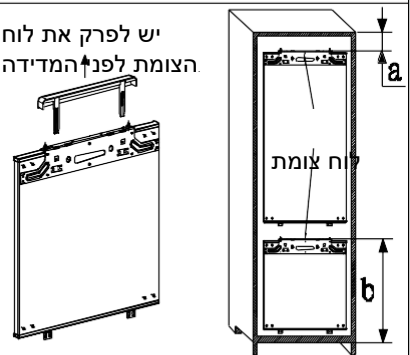
3. תקן את ציר הרהיטים על ידי בורג, חיבר את פס הקישוט בצד שמאל של המוצר.



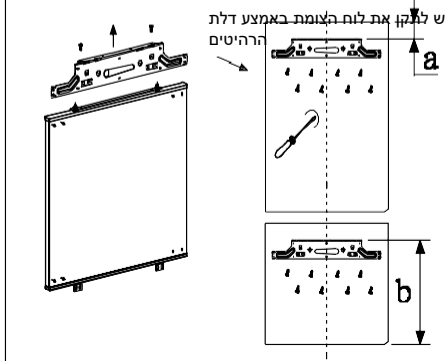
נ.ב.: תקן את הציר על הרהיטים עם מרווח

4. a ו-b מדוד את הממד על.

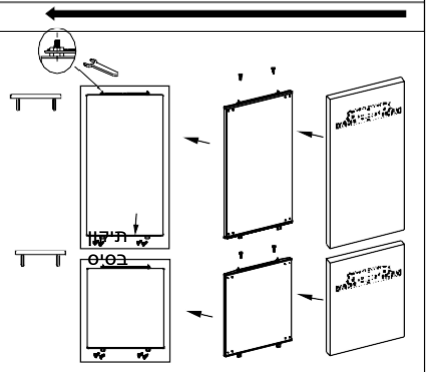
יש לפרק את לוח הצומת לפני המדידה.



5. תקן את לוח הצומת על דלת הרהיטים.



6. תקנו את דלת המכשיר בדלת הרהיטים.



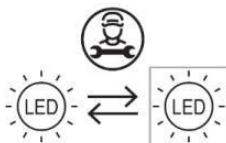
Περιεχόμενο

ΟΔΗΓΙΕΣ ΣΧΕΤΙΚΑ ΜΕ ΤΗΝ ΑΣΦΑΛΕΙΑ ΤΗΣ ΧΡΗΣΗΣ	178
ΕΓΚΑΤΑΣΤΑΣΗ ΚΑΙ ΣΥΝΘΗΚΕΣ ΛΕΙΤΟΥΡΓΙΑΣ ΤΗΣ ΣΥΣΚΕΥΗΣ	182
ΑΠΟΣΥΣΚΕΥΑΣΙΑ	184
ΑΠΟΡΡΙΨΗ ΤΗΣ ΠΑΛΙΑΣ ΣΥΣΚΕΥΗΣ.	184
ΕΛΕΓΧΟΙ	185
ΛΕΙΤΟΥΡΓΙΑ ΚΑΙ ΛΕΙΤΟΥΡΓΙΕΣ.	187
ΑΠΟΤΕΛΕΣΜΑΤΙΚΗ ΧΡΗΣΗ ΤΟΥ ΨΥΓΕΙΟΥ	189
ΑΠΟΨΥΞΗ, ΠΛΥΣΗ ΚΑΙ ΣΥΝΤΗΡΗΣΗ.	191
ΑΝΤΙΜΕΤΩΠΙΣΗ ΠΡΟΒΛΗΜΑΤΩΝ.	193
ΟΔΗΓΙΕΣ ΕΓΚΑΤΑΣΤΑΣΗΣ.	195

ΟΔΗΓΙΕΣ ΣΧΕΤΙΚΑ ΜΕ ΤΗΝ ΑΣΦΑΛΕΙΑ ΤΗΣ ΧΡΗΣΗΣ

- Η συσκευή προορίζεται μόνο για οικιακή χρήση.
- Ο κατασκευαστής διατηρεί το δικαίωμα να εισάγει αλλαγές που δεν επηρεάζουν τη λειτουργία της συσκευής.
- Ορισμένες διατάξεις σε αυτό το εγχειρίδιο χρήστη ενοποιούνται για την επαναψύξη προϊόντων διαφορετικών τύπων (για ψυγείο, ψυγείοκαταψύκτη ή καταψύκτη)
- Ο Κατασκευαστής δεν θα θεωρηθεί υπεύθυνος για ζημιές που προκύπτουν από τη μη τήρηση των οδηγιών που περιέχονται σε αυτό το εγχειρίδιο.
- Φυλάξτε αυτό το εγχειρίδιο για μελλοντική αναφορά ή για να το δώσετε στον επόμενο χρήστη.
- Αυτή η συσκευή δεν προορίζεται για χρήση από άτομα (συμπεριλαμβανομένων παιδιών) με περιορισμένες σωματικές ή πνευματικές ικανότητες και άτομα που δεν έχουν εμπειρία ή εξοικείωση με τη συσκευή.
- Μην επιτρέπετε στα παιδιά να χρησιμοποιούν τη συσκευή. Μην τους αφήνετε να παίζουν με τη συσκευή. Δεν πρέπει να σκαρφάζουν μέσα στα συρτάρια και να αιωρούνται στις πόρτες.
- Η συσκευή λειτουργεί σωστά στη θερμοκρασία περιβάλλοντος (βλ. δελτίο προϊόντος). Μην το χρησιμοποιείτε στο κελάρι, το εξοχικό που δεν θερμαίνεται το φθινόπωρο και το χειμώνα.
- Κατά την τοποθέτηση, τη μετακίνηση, την ανύψωση της συσκευής, μην κρατάτε τις λαβές της πόρτας, μην τραβάτε τον συμπυκνωτή στο πίσω μέρος του ψυγείου και μην αγγίζετε τη μονάδα συμπιεστή.
- Κατά τη μεταφορά, τη μετακίνηση ή την τοποθέτηση του ψυγείου-καταψύκτη μην τον γέρνετε περισσότερο από 40° από την κατακόρυφη θέση. Σε περίπτωση που παρουσιαστεί μια τέτοια κατάσταση, η συσκευή θα πρέπει να τεθεί σε λειτουργία μετά από τουλάχιστον 2 ώρες από την αντικατάστασή της στη σωστή θέση.
- Βγάλτε το φιν από την πρίζα πριν από κάθε δραστηριότητα συντήρησης. Μην τραβάτε το καλώδιο, αλλά κρατάτε το σώμα του βύσματος.
- Ο ήχος "κράξιμο" που μπορεί να εκπέμψει η συσκευή προκαλείται από τη διαστολή και τη συστολή εξαρτημάτων ως αποτέλεσμα διακυμάνσεων της θερμοκρασίας.
- Για λόγους ασφαλείας μην επισκευάζετε μόνοι σας τη συσκευή. Οι επισκευές που πραγματοποιούνται από άτομα που δεν διαθέτουν τα απαιτούμενα προσόντα ενδέχεται να προκαλέσουν σοβαρό κίνδυνο για τον χρήστη της συσκευής.

- Αερίστε το δωμάτιο στο οποίο είναι τοποθετημένη η συσκευή για λίγα λεπτά (το μέγεθος του δωματίου για ένα προϊόν που περιέχει ισοβουθάνιο/R600a πρέπει να είναι τουλάχιστον 4 m^3) για να αποφευχθεί η πρόκληση ζημιάς στο σύστημα ψύξης.
- Μην καταψύχετε ξανά μερικούς αποψυγμένα προϊόντα.
- Μην αποθηκεύετε ποτά σε μπουκάλια και κουτάκια, ειδικά ανθρακούχα ποτά, στον θάλαμο κατάψυξης. Τα κουτιά και τα μπουκάλια μπορεί να εκραγούν.
- Μην βάζετε κατεψυγμένα προϊόντα, που έχουν αφαιρεθεί απευθείας από την κατάψυξη (γουρουνάκια, παγάκια κ.λπ.) στο στόμα σας, γιατί η χαμηλή θερμοκρασία τους μπορεί να προκαλέσει σοβαρά κρυοπαγήματα.
- Βεβαιωθείτε ότι δεν προκαλέσετε ζημιά στο σύστημα ψύξης, τρυπώντας τους σωλήνες ψυκτικού στον εξατμιστή ή σπάζοντας τους σωλήνες. Το ψυκτικό είναι εύφλεκτο. Εάν το ψυκτικό έρθει σε επαφή με τα μάτια, ξεπλύντε τα με καθαρό νερό και καλέστε αμέσως ιατρική βοήθεια.
- Εάν το καλώδιο τροφοδοσίας σπάσει, θα πρέπει να αντικατασταθεί με νέο σε ένα εξειδικευμένο συνεργείο.
- Αυτή η συσκευή προορίζεται για αποθήκευση τροφίμων, μην τη χρησιμοποιείτε για άλλους σκοπούς.
- Όταν εκτελείτε δραστηριότητες, όπως καθαρισμό, συντήρηση ή μετακίνηση, η συσκευή πρέπει να αποσυνδέεται εντελώς από την παροχή ρεύματος (βγάζοντας το φις από την πρίζα)
- Αυτή η συσκευή μπορεί να χρησιμοποιηθεί από παιδιά ηλικίας 8 ετών και άνω ή από άτομα με σωματικές, διανοητικές ή αισθητηριακές αναπηρίες ή από άτομα που δεν έχουν πείρα ή δεν είναι εξοικειωμένα με τη συσκευή, υπό την προϋπόθεση ότι επιβλέπονται ή έχουν λάβει οδηγίες για την ασφαλή χρήση της συσκευής και είναι εξοικειωμένοι με τους κινδύνους που σχετίζονται με τη χρήση της συσκευής. Βεβαιωθείτε ότι τα παιδιά δεν παίζουν με τη συσκευή. Ο καθαρισμός και η συντήρηση της συσκευής δεν πρέπει να εκτελούνται από παιδιά εκτός εάν είναι 8 ετών και άνω και επιβλέπονται από αρμόδιο άτομο.
- Για να αποκτήσετε περισσότερο χώρο στην κατάψυξη, μπορείτε να αφαιρέσετε τα συρτάρια και να τοποθετήσετε τα τρόφιμα απευθείας στα ράφια. Αυτό δεν επηρεάζει τις μηχανικές ιδιότητες του προϊόντος και την απόδοση ψύξης. Η δηλωμένη χωρητικότητα του καταψυκτή υπολογίστηκε με την αφαίρεση των συρταριών.
- Αυτό το προϊόν περιέχει μια πηγή φωτός, αντικαταστάσιμη (μόνο LED) πηγή φωτός από επαγγελματία.





ΠΡΟΕΙΔΟΠΟΙΗΣΗ: Κίνδυνος πυρκαγιάς / εύφλεκτων υλικών

- Τα παιδιά ηλικίας από 3 έως 8 ετών επιτρέπεται να φορτώνουν και να ξεφορτώνουν ψυκτικές συσκευές.

Για να αποφύγετε τη μόλυνση των τροφίμων, τηρήστε τις ακόλουθες οδηγίες:

- Το άνοιγμα της πόρτας για μεγάλο χρονικό διάστημα μπορεί να προκαλέσει σημαντική αύξηση της θερμοκρασίας στα διαμερίσματα της συσκευής.
- Καθαρίζετε τακτικά επιφάνειες που μπορεί να έρθουν σε επαφή με τρόφιμα και προσβάσιμα συστήματα αποχέτευσης.
- Αποθηκεύστε το ωμό κρέας και το ψάρι σε κατάλληλα δοχεία στο ψυγείο, έτσι ώστε να μην έρχονται σε επαφή ή να στάζουν πάνω σε άλλα τρόφιμα.
- Οι θήκες για κατεψυγμένα τρόφιμα δύο αστέρων είναι κατάλληλες για αποθήκευση προκατεψυγμένων τροφίμων, αποθήκευση ή παρασκευή παγωτού και παρασκευή παγωτού.
- Τα διαμερίσματα ενός, δύο και τριών αστέρων δεν είναι κατάλληλα για την κατάψυξη φρέσκων τροφίμων.

	Συγκρίνετε τα ΤΥΠΟΣ	Στόχος θερμοκρασία αποθήκευσης.[OC]	Κατάλληλο φαγητό
1	Ψυγείο	+2≤+8	Τα αυγά, τα μαγειρεμένα τρόφιμα, τα συσκευασμένα τρόφιμα, τα φρούτα και τα λαχανικά, τα γαλακτοκομικά προϊόντα, τα κέικ, τα ποτά και άλλα τρόφιμα δεν είναι κατάλληλα για κατάψυξη.
2	Καταψύκτης	≤-18	Θαλασσινά (ψάρια, γαρίδες, οστρακοειδή), υδρόβια προϊόντα γλυκού νερού και προϊόντα κρέατος (συνιστώνται για 3 μήνες, όσο μεγαλύτερος είναι ο χρόνος αποθήκευσης, τόσο χειρότερη είναι η γεύση και η διατροφή), κατάλληλα για κατεψυγμένα φρέσκα τρόφιμα.
3	Καταψύκτης	≤-18	Τα θαλασσινά (ψάρια, γαρίδες, οστρακοειδή), υδρόβια προϊόντα γλυκού νερού και προϊόντα κρέατος (συνιστώνται για 3 μήνες, όσο μεγαλύτερος είναι ο χρόνος αποθήκευσης, τόσο χειρότερη είναι η γεύση και η διατροφή), δεν είναι κατάλληλα για κατεψυγμένα φρέσκα τρόφιμα.
4	Καταψύκτης	≤-12	Τα θαλασσινά (ψάρια, γαρίδες, οστρακοειδή), υδρόβια προϊόντα γλυκού νερού και προϊόντα κρέατος (συνιστώνται για 2 μήνες, όσο μεγαλύτερος είναι ο χρόνος αποθήκευσης, τόσο χειρότερη είναι η γεύση και η διατροφή), δεν είναι κατάλληλα για κατεψυγμένα φρέσκα τρόφιμα.

5	Καταψύκτης	≤ -6	Τα θαλασσινά (ψάρια, γαρίδες, οστρακοειδή), υδρόβια προϊόντα γλυκού νερού και προϊόντα κρέατος (συνιστάται για 1 μήνα, όσο μεγαλύτερος είναι ο χρόνος αποθήκευσης, τόσο χειρότερη είναι η γεύση και η διατροφή), δεν είναι κατάλληλα για κατεψυγμένα φρέσκα τρόφιμα.
6	Θήκη 0-αστέρων	$-6 \leq 0$	Φρέσκο χοιρινό, μοσχάρι, ψάρι, κοτόπουλο, ορισμένα συσκευασμένα επεξεργασμένα τρόφιμα κ.λπ. (Συνιστάται να καταναλώνετε την ίδια μέρα, κατά προτίμηση όχι περισσότερο από 3 ημέρες). Επεξεργασμένα τρόφιμα μερικώς εγκλεισμένα σε κάουλα (μη καταψύξιμα τρόφιμα)
7	Ψύχρα	$2 \leq +3$	Φρέσκο/κατεψυγμένο χοιρινό, βόειο κρέας, κοτόπουλο, υδρόβια προϊόντα γλυκού νερού κ.λπ. (7 ημέρες κάτω από 0 OC και πάνω από 0 OC συνιστάται για κατανάλωση εντός αυτής της ημέρας, κατά προτίμηση όχι περισσότερο από 2 ημέρες). Θαλασσινά (λιγότερο από 0 για 15 ημέρες, δεν συνιστάται η αποθήκευση πάνω από 0 OC)
8	Φρέσκο φαγητό	$0 \leq +4$	Φρέσκο χοιρινό, βοδινό, ψάρι, κοτόπουλο, μαγειρευτά φαγητά κ.λπ. (Συνιστάται να καταναλώνετε την ίδια μέρα, κατά προτίμηση όχι περισσότερο από 3 ημέρες)
9	Κρασί	$+5 \leq +20$	κόκκινο κρασί, λευκό κρασί, αφρώδες κρασί κ.λπ.

- Σημείωση: Παρακαλούμε αποθηκεύστε διαφορετικά τρόφιμα σύμφωνα με τα διαμερίσματα ή τη στοχευμένη θερμοκρασία αποθήκευσης των προϊόντων που αγοράσατε.
- Εάν η ψυκτική συσκευή μένει άδεια για μεγάλα χρονικά διαστήματα, απενεργοποιήστε, ξεπαγώστε, καθαρίστε, στεγνώστε και αφήστε την πόρτα ανοιχτή για να αποτρέψετε την ανάπτυξη μούχλας μέσα στη συσκευή.
- Καθαρισμός διανομέα νερού (ειδικό για προϊόντα διανομής νερού): Καθαρίστε τις δεξαμενές νερού εάν δεν έχουν χρησιμοποιηθεί για 48 ώρες. Ξεπλύνετε το σύστημα νερού που είναι συνδεδεμένο σε παροχή νερού εάν δεν έχει αναρροφηθεί νερό για 5 ημέρες.
- Σύμφωνα με τον Κανονισμό (ΕΕ) 2019/2019 της Επιτροπής, η ελάχιστη περίοδος διαθεσιμότητας ανταλλακτικών που απαιτείται για την επισκευή της συσκευής είναι 7 ή 10 χρόνια ανάλογα με τον τύπο και τον σκοπό του ανταλλακτικού.
- Ο κατάλογος των ανταλλακτικών και η διαδικασία παράγγελιάς είναι διαθέσιμα στους ιστότοπους του κατασκευαστή, του εισαγωγέα ή ενός εξουσιοδοτημένου αντιπροσώπου.
- Για περισσότερες πληροφορίες σχετικά με το προϊόν, ανατρέξτε στη βάση δεδομένων προϊόντων EPREL της ΕΕ στη διεύθυνση <https://eprel.ec.eu-ropa.eu>. Για περισσότερες πληροφορίες, χρησιμοποιήστε την κινητή συσκευή σας για να σαρώσετε τον κωδικό QR στην ενεργειακή ετικέτα ή εισαγάγετε το μοντέλο του προϊόντος που αναφέρεται στην ενεργειακή ετικέτα στη μηχανή αναζήτησης EPREL <https://eprel.ec.europa.eu/>

ΕΓΚΑΤΑΣΤΑΣΗ ΚΑΙ ΣΥΝΘΗΚΕΣ ΛΕΙΤΟΥΡΓΙΑΣ ΤΗΣ ΣΥΣΚΕΥΗΣ

Αυτή η ψυκτική συσκευή προορίζεται για χρήση ως ενσωματωμένη συσκευή.

Εγκατάσταση πριν χρησιμοποιήσετε τη συσκευή για πρώτη φορά

- Βγάλτε το προϊόν από τη συσκευασία, αφαιρέστε την ταινία scotch που προστατεύει την πόρτα και τον εξοπλισμό. Τυχόν εναπομείναντες λεκέδες κόλλας μπορούν να αφαιρεθούν με ένα ήπιο παράγοντα πλύσης.
- Μην πετάτε τα στοιχεία πολυστυρενίου της συσκευασίας. Εάν είναι απαραίτητο να μεταφέρετε τον ψυγείο-καταψύκτη, συσκευάστε τον στα στοιχεία και μεμβράνη από πολυστυρένιο καθώς και προστατέψτε τον με κολλητική ταινία
- Καθαρίστε την εσωτερική επιφάνεια του ψυγείου-καταψύκτη και τα στοιχεία του εξοπλισμού με ένα απορρυπαντικό διαλυμένο σε χλιαρό νερό και μετά σκουπίστε το.
- Τοποθετήστε το ψυγείο-καταψύκτη σε επίπεδη, σταθερή επιφάνεια, σε στεγνό, αεριζόμενο και σκιερό δωμάτιο, μακριά από πηγές θερμότητας όπως: φούρνος, εστία, κεντρική θέρμανση καλοριφέρ, σωλήνες κεντρικής θέρμανσης, εγκατάσταση ζεστού νερού κ.λπ.
- Στην εξωτερική επιφάνεια του προϊόντος μπορεί να υπάρχει ένα προστατευτικό φύλλο, αυτό τα φύλλα πρέπει να αφαιρεθούν.
- Βεβαιωθείτε ότι η συσκευή είναι τοποθετημένη σε οριζόντια θέση βιδώνοντας τα 2 ρυθμιζόμενα μπροστινά πόδια.
- Βεβαιωθείτε ότι η απόσταση μεταξύ της πλευράς της συσκευής (από την πλευρά των μεντεσέδων της πόρτας) και του τοίχου είναι αρκετή, για να διασφαλίσετε ότι η πόρτα ανοίγει ελεύθερα.
- Εξασφαλίστε επαρκή αερισμό του δωματίου και ελεύθερη κυκλοφορία αέρα από όλες τις πλευρές της συσκευής.

Ελάχιστες αποστάσεις από τις πηγές θερμότητας

- από το ηλεκτρικό αέριο και άλλους φούρνους - 30 mm,
- από φούρνους με λάδι ή άνθρακα - 300 mm,
- από ενσωματωμένους φούρνους - 50 mm

Εάν δεν υπάρχει δυνατότητα διασφάλισης των προαναφερόμενων αποστάσεων, παρέχετε την κατάλληλη μονωτική πλάκα.

Προειδοποίηση:

- Το πίσω τοίχωμα του ψυγείου, ιδίως ο συμπυκνωτής και άλλα στοιχεία του συστήματος ψύξης δεν πρέπει να έρχονται σε επαφή με άλλα στοιχεία, τα οποία μπορεί να τα καταστρέψει (π.χ. σωλήνες κεντρικής θέρμανσης και σωλήνες παροχής νερού).
- Απαγορεύεται η αναπροσαρμογή ή τροποποίηση οποιονδήποτε εξαρτημάτων της μονάδας. Είναι σημαντικό να μην καταστραφεί ο τριχοειδής σωλήνας που είναι ορατός στην εσοχή του συμπιεστή. Ο σωλήνας δεν μπορεί να λυγίσει, να ισιωθεί ή να πληγωθεί.
- Εάν ο τριχοειδής σωλήνας καταστραφεί από τον χρήστη, η εγγύηση θα ακυρωθεί.
- Σε ορισμένα μοντέλα η λαβή τοποθετείται στη συσκευή, θα πρέπει να τη βιδώσετε με το δικό σας κατασβίδι,

Σύνδεση δικτύου

- Πριν από τη σύνδεση, συνιστάται να ρυθμίσετε το κουμπί ελέγχου θερμοκρασίας σε "OFF" ή σε άλλη θέση που αποσυνδέει τη συσκευή από την τροφοδοσία προμήθειας (Δείτε τη σελίδα με την περιγραφή ελέγχου).
- Αυτή η συσκευή πρέπει να συνδεθεί σε πρίζα τροφοδοσίας AC 220-240V 50Hz. Η πρίζα πρέπει να έχει τοποθετηθεί σωστά και να τροφοδοτείται με αγωγό γείωσης και ασφάλεια 10Α.

- Είναι νομική απαίτηση να είναι η συσκευή σωστά γειωμένη. Ο κατασκευαστής δεν θα θεωρηθεί υπεύθυνος για οποιαδήποτε ζημιά ή τραυματισμό που μπορεί να προκληθεί από την αποτυχία εκπλήρωσης αυτής της απαίτησης.
- Μη χρησιμοποιείτε προσαρμογείς, πολλαπλές υποδοχές και καλώδια επέκτασης δύο συρμάτων. Εάν είναι απαραίτητο να χρησιμοποιήσετε το καλώδιο προέκτασης, πρέπει να είναι εξοπλισμένο με δακτύλιο προστασίας και μία υποδοχή και πρέπει να διαθέτει πιστοποιητικό ασφαλείας VDE/GS.
- Εάν χρησιμοποιείται καλώδιο επέκτασης (με δακτύλιο προστασίας και πιστοποιητικό ασφαλείας), η πρίζα του πρέπει να βρίσκεται σε ασφαλή απόσταση, μακριά από τους νεροχύτες και δεν πρέπει να βρίσκεται σε μέρος όπου θα μπορούσε να πλημμυρίσει από νερό ή λύματα.
- Δείτε την πινακίδα τύπου στο κάτω μέρος του εσωτερικού τοιχώματος της συσκευής για λεπτομερείς προδιαγραφές**.

Αποσύνδεση του ρεύματος

Βεβαιωθείτε ότι η συσκευή μπορεί να αποσυνδεθεί εύκολα από το ρεύμα, είτε τραβώντας το φως από την πρίζα είτε κλείνοντας τον διπολικό διακόπτη.

Κλιματική περιοχή

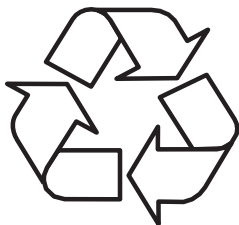
Οι πληροφορίες σχετικά με το εύρος κλίματος της συσκευής παρέχονται στην ονομαστική πλάκα ή στο χαρτόνι.

Κλιματική τάξη		Επιτρεπόμενη θερμοκρασία περιβάλλοντος
ΣΝ	Εκτεταμένη εύκρατη	Αυτή η ψυκτική συσκευή προορίζεται για χρήση σε θερμοκρασία περιβάλλοντος που κυμαίνεται μεταξύ 10°C και 32 °C
N	Εγκρατής	Αυτή η ψυκτική συσκευή προορίζεται για χρήση σε θερμοκρασία περιβάλλοντος που κυμαίνεται μεταξύ 16 °C και 32 °C
ΑΓ	Μισοτροπικός	Αυτή η ψυκτική συσκευή προορίζεται για χρήση σε θερμοκρασία περιβάλλοντος που κυμαίνεται μεταξύ 16 °C και 38 °C
T	Τροπικός	Αυτή η ψυκτική συσκευή προορίζεται για χρήση σε θερμοκρασία περιβάλλοντος που κυμαίνεται μεταξύ 16 °C και 43 °C

* Μόνο ανεξάρτητες συσκευές

** Σύμφωνα με το μοντέλο

ΑΠΟΣΥΣΚΕΥΑΣΙΑ



Κατά τη μεταφορά, χρησιμοποιήθηκε προστατευτική συσκευασία για την προστασία της συσκευής από οποιαδήποτε ζημιά. Μετά την αποσυσκευασία, απορρίψτε όλα τα στοιχεία της συσκευασίας με τρόπο που δεν θα προκαλέσει ζημιά στο περιβάλλον.

Όλα τα υλικά που χρησιμοποιούνται για τη συσκευασία της συσκευής είναι φιλικά προς το περιβάλλον. αυτοί είναι

100% ανακυκλώσιμα και επισημαίνονται με το κατάλληλο σύμβολο.

Σπουδαίος! Τα υλικά συσκευασίας (σακούλες, πολυαιθυλένιο, πολυστυρένιο κ.λπ.) πρέπει να φυλάσσονται μακριά από παιδιά κατά την αποσυσκευασία.

ΑΠΟΡΡΙΨΗ ΤΗΣ ΠΑΛΙΑΣ ΣΥΣΚΕΥΗΣ



Σύμφωνα με την Ευρωπαϊκή Οδηγία 2012/19/ΕΕ και την τοπική νομοθεσία σχετικά με τα χρησιμοποιημένα ηλεκτρικά και ηλεκτρονικά προϊόντα, αυτή η συσκευή φέρει το σύμβολο του διαγραμμένου δοχείου απορριμμάτων. Αυτή η σήμανση υποδεικνύει ότι η συσκευή δεν πρέπει να απορρίπτεται μαζί με άλλα οικιακά απορρίμματα μετά τη χρήση της.

Ο χρήστης υποχρεούται να το παραδώσει στο κέντρο συλλογής απορριμμάτων που συλλέγει μεταχειρισμένα ηλεκτρικά και ηλεκτρονικά είδη. Οι συλλέκτες, συμπεριλαμβανομένων των τοπικών σημείων συλλογής, των καταστημάτων και των τμημάτων των τοπικών αρχών παρέχουν προγράμματα ανακύκλωσης.

Ο σωστός χειρισμός των χρησιμοποιημένων ηλεκτρικών και ηλεκτρονικών προϊόντων βοηθά στην αποφυγή περιβαλλοντικών κινδύνων και κινδύνων για την υγεία που προκύπτουν από την παρουσία επικίνδυνων εξαρτημάτων και την ακατάλληλη αποθήκευση και επεξεργασία τέτοιων αγαθών.

ΕΛΕΓΧΟΙ



1. Την πρώτη φορά που ενεργοποιείτε τη συσκευή, αυτή η συσκευή λειτουργεί πάντα σε ρυθμίσεις: 5°C για το ψυγείο, 0°C για το My Zone και -18°C για τον καταψύκτη. Εάν θέλετε να ρυθμίσετε τη θερμοκρασία ή τις λειτουργίες χειροκίνητα, πατήστε το κουμπί για να πραγματοποιήσετε τις λειτουργίες. Εύρος θερμοκρασίας της ζώνης προσαρμογής από -3°C έως 3°C.
2. Ρύθμιση θερμοκρασίας ψυγείου – πατήστε το κουμπί ④ στο αριστερό μέρος του πίνακα ελέγχου για να επιτύχετε διαφορετικές θερμοκρασίες από 2°C έως 8°C.
3. Ρύθμιση θερμοκρασίας καταψύκτη – πατήστε το κουμπί ⑤ στο δεξί μέρος του πίνακα ελέγχου για να επιτύχετε διαφορετικές θερμοκρασίες από -15°C έως -25°C.
4. Λειτουργία ρύθμισης συρταριού My Zone: αυτό το κουμπί ① ελέγχει τη θερμοκρασία. Πατώντας αυτό το κουμπί, το ψυγείο θα πάει από -3° σε +3°. Αυτή η λειτουργία μπορεί να είναι on/off πατώντας συνεχώς για τρία δευτερόλεπτα.
5. Λειτουργία γρήγορης ψύξης – Πατήστε το κουμπί ②, το φως των κουμπιών ανάβει και η λειτουργία γρήγορης ψύξης είναι ενεργοποιημένη, το ψυγείο αρχίζει να λειτουργεί αυτόματα στη ρύθμιση θερμοκρασίας 2°C και σβήνει μετά από 24 ώρες, το φως του συμβόλου εξαφανίζεται.
6. Λειτουργία διακοπών–Πατήστε το κουμπί ③, το φως των κουμπιών ανάβει, η λειτουργία διακοπών είναι ενεργοποιημένη και ολόκληρη η συσκευή αρχίζει να λειτουργεί αυτόματα στις ρυθμίσεις: ψυγείο στους 17°C και καταψύκτη στους -18°C.
7. Λειτουργία Eco – Πατήστε το κουμπί ⑥ στον πίνακα ελέγχου, η λειτουργία eco είναι ενεργοποιημένη και το κουμπί ανάβει, ο θάλαμος ψυγείου λειτουργεί στη ρύθμιση 5°C και ο θάλαμος κατάψυξης λειτουργεί στη ρύθμιση των -18°C. Η ζώνη προσαρμογής λειτουργεί στη ρύθμιση των 3°C.
8. Λειτουργία γρήγορης κατάψυξης – Πατήστε το κουμπί ⑦, το φως των κουμπιών ανάβει και ο καταψύκτης αρχίζει να λειτουργεί σε λειτουργία γρήγορης κατάψυξης, ρύθμιση θερμοκρασίας -25°C. Μετά από 24 ώρες, η λειτουργία γρήγορης κατάψυξης σταματά αυτόματα.
9. Πατήστε το κουμπί ⑧ για 3 δευτερόλεπτα για να απενεργοποιήσετε τη συσκευή σας και το κουμπί ανάβει, διακόπτεται η τροφοδοσία. Οι εσωτερικοί λαμπτήρες εξαφανίζονται, ο συμπιεστής σταματά να λειτουργεί. Πατήστε το κουμπί ⑧ για 3 δευτερόλεπτα για να ενεργοποιήσετε τη συσκευή σας, το σύμβολο ανάβει και το ρεύμα συνδέεται ξανά.

Πρόσθετες πληροφορίες για τη θερμοκρασία

- Η θερμοκρασία στο εσωτερικό της συσκευής επηρεάζεται από πολλούς παράγοντες. Ο τρόπος ρύθμισης του επιλογέα ελέγχου θερμοκρασίας εξαρτάται από τη θερμοκρασία περιβάλλοντος, την έκθεση στον ήλιο, τη συχνότητα που ανοίγετε την πόρτα και την ποσότητα του φαγητού που αποθηκεύεται. Η μεσαία ρύθμιση του επιλογέα είναι η βέλτιστη στις περισσότερες περιπτώσεις.
- Μην βάζετε τα τρόφιμα στην κατάψυξη πριν φτάσουν τη θερμοκρασία λειτουργίας τους, η οποία διαρκεί τουλάχιστον 4 ώρες.
- Μην αλλάζετε τις ρυθμίσεις θερμοκρασίας λόγω της αλλαγής της εποχής του χρόνου. Η αύξηση της θερμοκρασίας περιβάλλοντος θα ανιχνευθεί από τον αισθητήρα και ο συμπιεστής θα ενεργοποιηθεί αυτόματα για μεγαλύτερο χρονικό διάστημα, προκειμένου να διατηρηθεί η ρυθμισμένη θερμοκρασία μέσα στους θαλάμους.
- Οι μικρές αλλαγές στη θερμοκρασία είναι απολύτως φυσιολογικές και μπορεί να συμβούν, για παράδειγμα κατά την αποθήκευση μεγάλων ποσοτήτων φρέσκων προϊόντων στο ψυγείο ή όταν η πόρτα είναι ανοιχτή για μεγαλύτερο χρονικό διάστημα. Αυτό δεν θα επηρεάσει την κατάσταση των αποθηκευμένων τροφίμων και η θερμοκρασία θα επιστρέψει γρήγορα στην καθορισμένη τιμή.

Κωδικός λάθους

Αυτή η συσκευή διαθέτει λειτουργία «εμφάνιση βλαβών και συναγερμός». Μόλις οι αισθητήρες παρουσιάσουν βλάβη, εμφανίζονται συναγερμοί στην ένδειξη θερμοκρασίας, η συσκευή εξακολουθεί να κρυώνει, αλλά θα πρέπει να κληθεί επαγγελματίας μηχανικός σέρβις και να ελέγξει τη συσκευή.

F2 – Αισθητήρας ζώνης προσαρμογής

F3 – Αισθητήρας ψυγείου διαμερίσματος

F4 – Αισθητήρας θαλάμου κατάψυξης

F5 – Αισθητήρας απόψυξης

2E – Σφάλμα ανεμιστήρα/μοτέρ στην κατάψυξη

CE– Σφάλμα επικοινωνίας μεταξύ του κύριου πίνακα και του πίνακα οθόνης. Τα

παραπάνω Σφάλματα εμφανίζονται μόνο στην οθόνη, χωρίς φωνή

Συναγερμός υπερθέρμανσης στον καταψύκτη: αφού φτάσει η θερμοκρασία του καταψύκτη στην καθορισμένη θερμοκρασία, μετά από αυτό, εάν η θερμοκρασία ανέβει σε >-1 °C, ο συναγερμός θα ξεκινήσει, συνοδευόμενος από το φλας του ψηφίου θερμοκρασίας του καταψύκτη. Πατήστε οποιοδήποτε κουμπί για να ακυρώσετε τον φωνητικό συναγερμό. Το φλας θα παραμείνει έως ότου η θερμοκρασία είναι <-1 °C.

ΥΓ: Η κύρια πλακέτα βρίσκεται στο διαμέρισμα του συμπιεστή

ΛΕΙΤΟΥΡΓΙΑ ΚΑΙ ΛΕΙΤΟΥΡΓΙΕΣ

Αποθήκευση τροφίμων στο ψυγείο-καταψύκτη

- Τα προϊόντα πρέπει να τοποθετούνται σε πιάτα, σε δοχεία ή να συσκευάζονται σε μεμβράνη τροφίμων. Μοιράστε τα ομοίμορφα στα ράφια.
- Εάν το φαγητό έρθει σε επαφή με το πίσω τοίχωμα, μπορεί να προκαλέσει πάγωμα ή βρέξιμο των προϊόντων.
- Μην βάζετε πιάτα με ζεστό φαγητό στο ψυγείο
- Προϊόντα που απορροφούν εύκολα γεύσεις όπως βούτυρο, γάλα, λευκό τυρί και προϊόντα με έντονη γεύση, όπως ψάρι, καπνιστό κρέας, σκληρό τυρί, πρέπει να τοποθετούνται σε ράφια, να συσκευάζονται σε μεμβράνη τροφίμων ή σε καλά κλεισμένα δοχεία.
- Η αποθήκευση λαχανικών που περιέχουν σημαντικές ποσότητες νερού θα προκαλέσει την εναπόθεση συμπύκνωσης στα δοχεία λαχανικών, δεν επηρεάζει την καλή λειτουργία του ψυγείου.
- Πριν βάλετε τα λαχανικά στο ψυγείο, στεγνώστε τα καλά.
- Η υπερβολική υγρασία μειώνει τη διάρκεια ζωής των λαχανικών, ειδικά των φυλλωδών λαχανικών.
- Μην πλένετε τα λαχανικά πριν τα αποθηκεύσετε στο ψυγείο. Το πλύσιμο αφαιρεί τη φυσική προστασία, επομένως είναι καλύτερο να πλένετε τα λαχανικά απευθείας πριν τα καταναλώσετε.
- Συνιστάται η τοποθέτηση των προϊόντων σε συρτάρια κατάψυξης 1, 2, 3* μέχρι τη φυσική ικανότητα φόρτωσης.**
 1. Συσκευασμένα προϊόντα
 2. Ράφι
 3. Φυσική ικανότητα φόρτωσης
 4. !
- Η στοίβαξη προϊόντων στα ράφια της κατάψυξης είναι αποδεκτή.*
- Είναι αποδεκτό να τοποθετείτε προϊόντα πέρα από τη φυσική ικανότητα φόρτωσης κατά 20-30 mm.**
- Για να αυξηθεί η χωρητικότητα φόρτωσης του θαλάμου κατάψυξης και να επιτραπεί η στοίβαξη προϊόντων στα ράφια καλωδίων του εξατμιστή κατάψυξης μέχρι το μέγιστο ύψος, είναι δυνατό να αφαιρεθούν τα συρτάρια 1 και 2.*

Κατάψυξη τροφίμων**


- Πρακτικά όλα τα προϊόντα διατροφής, εκτός από τα λαχανικά που καταναλώνονται ωμά, όπως το μαρούλι, μπορούν να καταψυχθούν.
- Μόνο προϊόντα διατροφής υψηλής ποιότητας, χωρισμένα σε μικρές μερίδες για μία χρήση, πρέπει να καταψυχθούν.
- Τα προϊόντα πρέπει να συσκευάζονται σε υλικά που είναι άοσμα, ανθεκτικά στη διείσδυση του αέρα και της υγρασίας και δεν είναι ευαίσθητα στο λίπος. Πλαστικές σακούλες, πολυαιθυλένιο και φύλλα αλουμινίου είναι τα καλύτερα υλικά περιτυλίγματος.
- Η συσκευασία πρέπει να είναι σφιχτή και να κολλάει στα κατεψυγμένα προϊόντα. Μη χρησιμοποιείτε γυάλινα δοχεία.
- Διατηρείτε τα φρέσκα και ζεστά τρόφιμα σε θερμοκρασία περιβάλλοντος μακριά από τα προϊόντα, τα οποία έχουν ήδη καταψυχθεί.
- Σας συμβουλεύουμε να μην τοποθετείτε περισσότερα φρέσκα τρόφιμα κάθε φορά στην κατάψυξη την ημέρα (βλ. πίνακα με τεχνικές προδιαγραφές).
- Για να διατηρήσετε τη βέλτιστη ποιότητα των κατεψυγμένων τροφίμων, οργανώστε ξανά τα τρόφιμα που βρίσκονται στη μέση της κατάψυξης, έτσι ώστε να μην αγγίζουν τα προϊόντα που δεν έχουν ακόμη καταψυχθεί.
- Συνιστάται να μετακινείτε τα ήδη κατεψυγμένα προϊόντα στη μία πλευρά και να τοποθετείτε τα φρέσκα προϊόντα που πρόκειται να καταψυχθούν στην αντίθετη πλευρά, όσο το δυνατόν πιο κοντά στα πίσω και πλαϊνά τοιχώματα.

- Για την κατάψυξη προϊόντων, χρησιμοποιήστε το σημείο που επισημαίνεται .
- Λάβετε υπόψη ότι η θερμοκρασία στην κατάψυξη επηρεάζεται από διάφορους παράγοντες, όπως η θερμοκρασία περιβάλλοντος και η ποσότητα των τροφίμων στον θάλαμο, η συχνότητα ανοίγματος της πόρτας, η ποσότητα πάγου στην κατάψυξη και η ρύθμιση του θερμοστάτη.
- Εάν δεν μπορείτε να ανοίξετε την πόρτα του καταψύκτη αμέσως μετά το κλείσιμο, αφήστε 1-2 λεπτά για να αντισταθμιστεί η αρνητική πίεση και προσπαθήστε ξανά να ανοίξετε την πόρτα.

Ο χρόνος αποθήκευσης των κατεψυγμένων προϊόντων εξαρτάται από την ποιότητά τους πριν από την κατάψυξη όταν είναι φρέσκα, και από τη θερμοκρασία αποθήκευσης. Συνιστώνται οι ακόλουθες περιόδους αποθήκευσης όταν διατηρείται η θερμοκρασία -18 °C ή χαμηλότερη:

Προϊόντα	Μήνες
Βοδινό κρέας	6-8
Μοσχαρίσιο	3-6
Εντόσθια όρνιθας	1-2
Χοιρινό	3-6
Πουλερικά	6-8
Αυγά	3-6
Ψάρι	3-6
Λαχανικά	10-12
Καρπός	10-12

Μην αποθηκεύετε κατεψυγμένα τρόφιμα σε θάλαμο ταχείας ψύξης. Σε αυτόν τον θάλαμο μπορούν να παρασκευαστούν και να αποθηκευτούν παγάκια.

Σημείωση: Εάν η συσκευή δεν διαθέτει θάλαμο κατάψυξης (), δεν είναι κατάλληλο για την κατάψυξη τροφίμων.

* Ισχύει για συσκευές με θάλαμο κατάψυξης στο κάτω μέρος της συσκευής.

** Ισχύει για συσκευές με θάλαμο κατάψυξης

*** Δεν ισχύει για συσκευές με σήμανση καταψύκτη

ΑΠΟΤΕΛΕΣΜΑΤΙΚΗ ΧΡΗΣΗ ΤΟΥ ΨΥΓΕΙΟΥ

Πρακτικές καθημερινές συμβουλές

- Μην τοποθετείτε ψυγεία ή καταψύκτες δίπλα σε καλοριφέρ, θερμάστρες, σόμπες ή σε άμεσο ηλιακό φως.
- Βεβαιωθείτε ότι οι αεραγωγοί δεν είναι καλυμμένοι και καθαρίστε τη σκόνη από αυτές μία ή δύο φορές το χρόνο.
- Επιλέξτε τη σωστή θερμοκρασία: 6 έως 8°C στο ψυγείο σας και -18 °C στην κατάψυξή σας είναι επαρκείς.
- Στις διακοπές, ανεβάστε τη θερμοκρασία στο ψυγείο σας.
- Ανοίξτε το ψυγείο ή τον καταψύκτη σας μόνο όταν χρειάζεται. Βοηθάει αν γνωρίζετε τι τροφή περιέχει το καθένα και πού βρίσκεται. Επιστρέψτε το φαγητό στο ψυγείο ή στην κατάψυξη όσο το δυνατόν συντομότερα αφού το χρησιμοποιήσετε για να μην ζεσταθεί πολύ.
- Σκουπίζετε τακτικά το εσωτερικό του ψυγείου σας με ένα πανί εμποτισμένο με ήπιο απορρυπαντικό. Οι συσκευές που δεν ξεπαγώνουν μόνοι τους θα απαιτούν τακτική απόψυξη. Μην αφήνετε να σχηματιστούν στρώματα παγετού με πάχος μεγαλύτερο από 10 mm.
- Διατηρήστε τη τσιμούχα γύρω από την πόρτα καθαρή, διαφορετικά δεν θα κλείσει σωστά. Πάντα να αντικαθιστάτε τις σπασμένες τσιμούχες.

Κατανοώντας τα αστέρια

Η θερμοκρασία είναι τουλάχιστον -6 °C. επαρκής για την αποθήκευση κατεψυγμένων τροφίμων για περίπου μία εβδομάδα. Τα συρτάρια ή τα διαμερίσματα με ένα αστέρι αποτελούσαν ένα χαρακτηριστικό (κυρίως) φθηνότερων ψυγείων.

Το φαγητό μπορεί να αποθηκευτεί στους -12 °C ή χαμηλότερα για 1-2 εβδομάδες χωρίς να χάσει τη γεύση του. Δεν είναι κατάλληλο για κατάψυξη τροφίμων.

Αυτή η βαθμολογία χρησιμοποιείται κυρίως για την αποθήκευση τροφίμων σε θερμοκρασία -18 °C ή χαμηλότερη. Μπορεί επίσης να χρησιμοποιηθεί για την κατάψυξη έως και 1 κιλό φρέσκων τροφίμων.

Αυτή η συσκευή είναι κατάλληλη για αποθήκευση τροφίμων σε θερμοκρασία -18 °C ή χαμηλότερη και κατάψυξη μεγαλύτερων ποσοτήτων φρέσκων τροφίμων.

Πρακτικές συμβουλές

Λόγω της φυσικής κυκλοφορίας του αέρα στη συσκευή, υπάρχουν διαφορετικές ζώνες θερμοκρασίας στον θάλαμο του ψυγείου.

- Η πιο κρύα περιοχή είναι ακριβώς πάνω από τα συρτάρια λαχανικών. Χρησιμοποιήστε αυτήν την περιοχή για όλα τα ευαίσθητα και ευπαθή τρόφιμα, π.χ.
 - Ψάρια, κρέας, πουλερικά
 - Λουκανικά προϊόντα, έτοιμα φαγητά
 - Πιάτα ή αρτοσκευάσματα που περιέχουν αυγά ή κρέμα
 - Φρέσκο ζυμάρι, μείγματα κέικ
 - Προσκευασμένα λαχανικά και άλλα φρέσκα τρόφιμα με ετικέτα που αναφέρει ότι πρέπει να διατηρούνται σε θερμοκρασία περίπου 4 °C.
- Η πιο ζεστή περιοχή βρίσκεται στο επάνω τμήμα της πόρτας. Χρησιμοποιήστε αυτό για την αποθήκευση βουτύρου και τυριού.

Τρόφιμα που δεν πρέπει να φυλάσσονται σε ψυγείο

- Δεν είναι όλα τα τρόφιμα κατάλληλα για αποθήκευση στο ψυγείο, ιδιαίτερα:
 - Φρούτα και λαχανικά που είναι ευαίσθητα στο κρύο, όπως οι μανιτάρια, το αβοκάντο, η παπάγια, τα φρούτα του πάθους, οι μελιτζάνες, οι πιπεριές, οι ντομάτες και τα αγγούρια.
 - Φρούτο που δεν είναι ακόμη ώριμο
 - Πατάτες

Προειδοποίηση:

Παράδειγμα αποθήκευσης των τροφίμων - δείτε παρακάτω

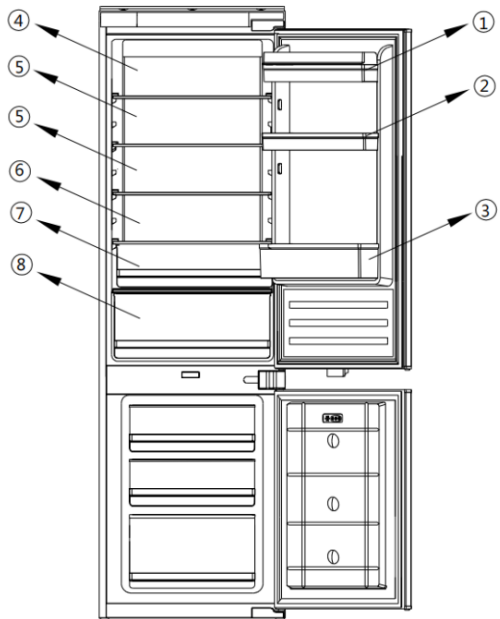
Για να επιτύχετε την αποτελεσματικότερη συντήρηση των τροφίμων για τον μεγαλύτερο δυνατό χρόνο και για να αποφύγετε τη σπατάλη φαγητού, τοποθετήστε τα προϊόντα όπως φαίνεται στην Εικόνα 12. Επιπλέον, αυτή η εικόνα απεικονίζει τη διάταξη των συρταριών, των καλαθιών και των ραφιών, η οποία επιτρέπει την πιο αποτελεσματική χρήση ενέργειας.

Οι βέλτιστες συνθήκες θερμοκρασίας και αποθήκευσης θα επεκτείνουν τη διάρκεια ζωής του προϊόντος και θα βελτιστοποιήσουν την κατανάλωση ηλεκτρικής ενέργειας. Το βέλτιστο εύρος θερμοκρασίας αποθήκευσης πρέπει να αναγράφεται στη συσκευασία του τροφίμου.

Το τμήμα του ψυγείου είναι για βραχυπρόθεσμη αποθήκευση τροφίμων. Αν και μπορούν να διατηρηθούν χαμηλές θερμοκρασίες, δεν συνιστάται η παρατεταμένη αποθήκευση τροφίμων. Καθώς ο κρύος αέρας κυκλοφορεί μέσα στο ψυγείο, η θερμοκρασία μπορεί να ποικίλλει μεταξύ των διαφορετικών τμημάτων. Ως εκ τούτου, τα τρόφιμα θα πρέπει να αποθηκεύονται σε διαφορετικά τμήματα ανάλογα με τον τύπο.

1. Βούτυρο, τυριά κ.λπ.
2. Τρόφιμα σε βάζα και μπουκάλια
3. Τα ποτά, π.χ. γάλα
4. Μαγειρεμένο φαγητό
5. Γιαούρτια, κονσέρβες κ.λπ.
6. Μπουκάλια 75cl ή έτοιμα γεύματα κ.λπ.
7. Φρούτα και λαχανικά
8. Φρέσκο κρέας και ψάρι/φρούτα και λαχανικά

Τα ράφια του ψυγείου μπορούν να μετακινηθούν σύμφωνα με τις απαιτήσεις αποθήκευσης στο τμήμα του ψυγείου. Για να μετακινήσετε το ράφι, σηκώστε το πίσω τμήμα και, στη συνέχεια, τραβήξτε το προς τα έξω. Η πιο εξοικονόμηση ενέργειας διαμόρφωση απαιτεί συρτάρια, κουτί τροφίμων και ράφια να τοποθετούνται στο προϊόν, ανατρέξτε στις παραπάνω εικόνες.



ΑΠΟΨΥΞΗ, ΠΛΥΣΗ ΚΑΙ ΣΥΝΤΗΡΗΣΗ

Ποτέ μην καθαρίζετε το περιβλήμα ή τα πλαστικά μέρη του προϊόντος χρησιμοποιώντας διαλύτες ή ισχυρά, λιπαντικά απορρυπαντικά (π.χ. σκόνες πλυσίματος ή κρέμες). Χρησιμοποιείτε μόνο ήπια υγρά απορρυπαντικά και μαλακά πανιά. Μην χρησιμοποιείτε σφουγγάρι.

Απόψυξη του ψυγείου***

- Ο παγετός κατακάθεται στο πίσω τοίχωμα του θαλάμου του ψυγείου. Αφαιρείται αυτόματα. Κατά τη διάρκεια της απόψυξης, το συμπύκνωμα, το οποίο περιέχει ρύπους, μπορεί να φράξει το άνοιγμα στο εσωτερικό. Σε περίπτωση που συμβεί, ξεβουλώστε προσεκτικά το άνοιγμα με το βύσμα καθαρισμού.
- Η συσκευή λειτουργεί σε κύκλους: ψύχεται (μετά ο παγετός πέφτει στο πίσω μέρος τοίχου) και ξεπαγώνει (το νερό ρέει κάτω από τον πίσω τοίχο)
- Αποσυνδέστε τη συσκευή από το ρεύμα πριν την καθαρίσετε, αφαιρώντας το φις από την πρίζα ή σβήνοντας την ασφάλεια. Αποτρέψτε τη διείσδυση νερού στον πίνακα ελέγχου ή στο φως.
- Μην χρησιμοποιείτε αερολύματα απόψυξης. Μπορεί να προκαλέσουν το σχηματισμό εκρηκτικού μείγματος ή να περιέχουν διαλύτες που μπορεί να βλάψουν τα πλαστικά εξαρτήματα της συσκευής και ακόμη και να είναι επιβλαβείς για την υγεία.
- Βεβαιωθείτε ότι το νερό που χρησιμοποιείται για τον καθαρισμό δεν ρέει στο δοχείο εξάτμισης μέσω του ανοίγματος εκκένωσης.
- Ολόκληρη η συσκευή, εκτός από τη φλάντζα της πόρτας, πρέπει να καθαρίζεται με ήπιο καθαριστικό. Η φλάντζα της πόρτας πρέπει να καθαριστεί με νερό και να στεγνώσει.
- Πλύνετε όλα τα αξεσουάρ (δοχεία λαχανικών, ράφια πόρτας, γυάλινα ράφια κ.λπ.).

Απόψυξη της κατάψυξης**

- Συνιστάται να συνδυάσετε την απόψυξη της συσκευής με το πλύσιμο της.
- Η υπερβολική συσσώρευση πάγου στις περιοχές κατάψυξης μειώνει την ικανότητα κατάψυξης της συσκευής και αυξάνει την κατανάλωση ενέργειας.
- Ξεπαγώνετε τη συσκευή τουλάχιστον μία ή δύο φορές το χρόνο. Σε περίπτωση μεγαλύτερης συσσώρευσης πάγου, η απόψυξη πρέπει να γίνεται πιο συχνά.
- Εάν υπάρχει φαγητό στην κατάψυξη, ρυθμίστε το κουμπί στο μέγιστο. Θέση περίπου 4 ώρες πριν από την προγραμματισμένη απόψυξη. Αυτό θα εξασφαλίσει τη δυνατότητα αποθήκευσης των τροφίμων σε θερμοκρασία περιβάλλοντος για μεγαλύτερο χρονικό διάστημα.
- Αφού βγάλετε το φαγητό από την κατάψυξη, το βάζετε σε ένα δοχείο, το τυλίγετε με πολλές στρώσεις χαρτί, μια κουβέρτα και το αποθηκεύετε σε δροσερό μέρος.
- Η λειτουργία απόψυξης πρέπει να διαρκεί όσο το δυνατόν συντομότερα. Η μακροχρόνια αποθήκευση των τροφίμων σε θερμοκρασία περιβάλλοντος μειώνει τη διάρκεια ζωής τους.

Ξεπαγώστε το θάλαμο κατάψυξης που ακολουθούν τα βήματα:**

- Ενεργοποιήστε τη συσκευή χρησιμοποιώντας τον πίνακα ελέγχου και βγάλτε το φις από την πρίζα..
- Ανοίξτε την πόρτα και αφαιρέστε τα τρόφιμα από την κατάψυξη.
- Ανάλογα με το μοντέλο, τραβήξτε έξω το σωλήνα αποστράγγισης που βρίσκεται στο κάτω μέρος του θαλάμου κατάψυξης και τοποθετήστε ένα κατάλληλο δοχείο από κάτω.
- Αφίστε την πόρτα ανοιχτή, αυτό θα επιταχύνει τη διαδικασία απόψυξης. Επιπλέον, μπορεί να τοποθετηθεί μια κατσαρόλα με ζεστό νερό (όχι βραστό) μέσα στον θάλαμο κατάψυξης.
- Πλύνετε το εσωτερικό του καταψύκτη και σκουπίστε το.
- Ενεργοποιήστε τη συσκευή σύμφωνα με το σχετικό σημείο του γχειριδίου.

Αυτόματη απόψυξη ψυγείου****

Ο θάλαμος του ψυγείου είναι εξοπλισμένος με λειτουργία αυτόματης απόψυξης. Ωστόσο, ο παγετός μπορεί να εγκατασταθεί στο πίσω τοίχωμα του θαλάμου του ψυγείου. Αυτό συμβαίνει συνήθως, όταν μεγάλες ποσότητες φρέσκων τροφίμων αποθηκεύονται στο ψυγείο.

Αυτόματη απόψυξη κατάψυξης*****

Ο θάλαμος κατάψυξης έχει εξοπλιστεί με λειτουργία αυτόματης απόψυξης (χωρίς παγετό). Τα τρόφιμα καταψύχονται στον ψυχρό αέρα κυκλοφορίας και η υγρασία από τον θάλαμο κατάψυξης απορρίπτεται έξω. Ως αποτέλεσμα, δεν παράγεται πάγος και παγετός στην κατάψυξη και τα προϊόντα δεν παγώνουν το ένα πάνω στο άλλο.

Πλύσιμο των θαλάμων του ψυγείου και του καταψύκτη με το χέρι****

Συνιστάται να πλένετε τους θαλάμους του ψυγείου και της κατάψυξης τουλάχιστον μία φορά το χρόνο. Αυτό αποτρέπει το σχηματισμό βακτηρίων και την άσχημη οσμή. Απενεργοποιήστε τη συσκευή, αφαιρέστε τα τρόφιμα από τους θαλάμους και πλύντε τα με νερό με ήπιο απορρυπαντικό. Στη συνέχεια, σκουπίστε τους θαλάμους με ένα πανί.

Βγάξω και βάζω στα ράφια*****

Σύρετε το ράφι προς τα έξω και, στη συνέχεια, σύρετέ το μέσα όσο το δυνατόν περισσότερο, ώστε ο σφιγκτήρας του να μπορεί να χωρέσει στην αυλάκωση οδηγού.

Βγάζοντας και τοποθετώντας το ράφι της πόρτας*****

Σηκώστε το ράφι της πόρτας, αφαιρέστε το και τοποθετήστε το ξανά από πάνω στην επιθυμητή θέση.

ΠΡΟΕΙΔΟΠΟΙΗΣΗ! Δεν πρέπει να βάζετε σε καμία περίπτωση ηλεκτρική θερμάστρα, ανεμιστήρα ή πιστολάκι μαλλιών στην κατάψυξη.

** Ισχύει για συσκευές με θάλαμο κατάψυξης Δεν ισχύει για συσκευές με σύστημα χωρίς παγετό.

*** Ισχύει για συσκευές με θάλαμο ψυγείου Δεν ισχύει για συσκευές με σύστημα χωρίς παγετό.

**** Ισχύει για συσκευές με σύστημα χωρίς παγετό.

***** Δεν ισχύει για καταψύκτες

ΑΝΤΙΜΕΤΩΠΙΣΗ ΠΡΟΒΛΗΜΑΤΩΝ

Προβλήματα	Πιθανές αιτίες	Θεραπείες
Η συσκευή δεν λειτουργεί	Το ηλεκτρικό κύκλωμα έχει διακοπεί	<ul style="list-style-type: none"> - ελέγξτε εάν το φως έχει τοποθετηθεί σωστά στην πρίζα - ελέγξτε εάν το καλώδιο τροφοδοσίας της συσκευής δεν έχει υποστεί ζημιά - ελέγξτε αν υπάρχει τάση στην πρίζα, συνδέοντας μια άλλη συσκευή, π.χ. μια νυχτερινή λάμπα - ελέγξτε εάν η συσκευή είναι ενεργοποιημένη ρυθμίζοντας το mostat σε θέση πάνω από 0.
Ο φωτισμός στο εσωτερικό του θαλάμου δεν λειτουργεί	Ο λαμπτήρας είναι χαλαρός ή λιωμένος (μόνο συσκευές με λαμπτήρα τύπου Lightning)	- Τοποθετήστε σωστά τον λαμπτήρα ή αντικαταστήστε τον (δείτε την ενότητα παραπάνω «Αντικατάσταση του εσωτερικού λαμπτήρα»)
Η συσκευή λειτουργεί συνεχώς	<p>Λανθασμένη ρύθμιση του κουμπιού ρύθμισης</p> <p>Βλέπω. «Η θερμοκρασία στο εσωτερικό της συσκευής δεν είναι αρκετά χαμηλή για περιγραφή άλλων πιθανών αιτιών»</p>	<p>- επαναφέρετε το κουμπί σε χαμηλότερη θέση</p> <p>Βλέπω. «Η θερμοκρασία στο εσωτερικό της συσκευής δεν είναι αρκετά χαμηλή για περιγραφή άλλων πιθανών θεραπειών»</p>
Το νερό συγκεντρώνεται στο κάτω μέρος της συσκευής	<p>Το άνοιγμα εκκένωσης νερού είναι βουλωμένο (ανάλογα με το μοντέλο)</p> <p>Η εσωτερική κυκλοφορία του αέρα παρεμποδίζεται</p>	<p>- Καθαρίστε το άνοιγμα εκκένωσης (δείτε το εγχειρίδιο λειτουργίας – κεφάλαιο με τίτλο «Απόψυξη του ψυγείου»)</p> <p>- Τοποθετήστε τα τρόφιμα και τα δοχεία με τέτοιο τρόπο ώστε να μην αγγίζουν το πίσω τοίχωμα του ψυγείου</p>
Η συσκευή παράγει ασυνήθιστο θόρυβο	<p>Λανθασμένη ισοπέδωση της συσκευής</p> <p>Η συσκευή αγγίζει έπιπλα και/ή άλλα αντικείμενα</p>	<p>- ισοπεδώστε σωστά τη συσκευή</p> <p>- Τοποθετήστε τη συσκευή σε θέση που εξασφαλίζει τα κατάλληλα κενά γύρω από αυτήν</p>

Προβλήματα	Πιθανές αιτίες	Θεραπείες
	Λανθασμένη ρύθμιση του κουμπιού ρύθμισης	- επαναφέρετε το κουμπί σε υψηλότερη θέση
	Η θερμοκρασία περιβάλλοντος είναι υψηλότερη ή χαμηλότερη από το εύρος του κλίματος από τον πίνακα με τις τεχνικές προδιαγραφές	- η συσκευή είναι προσαρμοσμένη για λειτουργία σε κλίματα από πίνακα με τεχνικές προδιαγραφές.
	Η συσκευή βρίσκεται σε ηλιόλουστο μέρος ή κοντά σε πηγές θερμότητας	- μετακινήστε τη συσκευή σε άλλο μέρος. Τηρήστε τις οδηγίες που περιέχονται στο εγχειρίδιο
	Πάρα πολύ ζεστό φαγητό φορτωμένο κάθε φορά	- Περιμένετε 72 ώρες μέχρι το φαγητό να κρυώσει (παγώσει) και να επιτευχθεί η απαιτούμενη θερμοκρασία μέσα στον θάλαμο
Η θερμοκρασία στο εσωτερικό της συσκευής δεν είναι αρκετά χαμηλή ή πολύ υψηλή	Η εσωτερική κυκλοφορία του αέρα παρεμποδίζεται	- Τοποθετήστε τα τρόφιμα και τα δοχεία με τέτοιο τρόπο ώστε να μην αγγίζουν το πίσω τοίχωμα του ψυγείου
	Η κυκλοφορία του αέρα στο πίσω μέρος της συσκευής παρεμποδίζεται	- μετακινήστε τη συσκευή ελάχ. 30 mm μακριά από τον τοίχο
	Η πόρτα του ψυγείου/καταψύκτη ανοίγει πολύ συχνά ή/και παραμένει ανοιχτή για πολλή ώρα	- μειώστε τη συχνότητα ανοίγματος της πόρτας ή/και μειώστε το χρόνο που η πόρτα παραμένει ανοιχτή
	Η πόρτα δεν κλείνει τελείως	- Τοποθετήστε τα τρόφιμα και τα δοχεία έτσι ώστε να μην παρεμβαίνουν στο κλείσιμο της πόρτας
	Ο συμπιεστής ενεργοποιείται πολύ σπάνια	- ελέγξτε εάν η θερμοκρασία περιβάλλοντος δεν είναι χαμηλότερη από την κλάση του κλίματος
	Η φλάντζα της πόρτας έχει εισαχθεί	- πιέστε τη φλάντζα προς τα μέσα

Κατά την κανονική χρήση του ψυγείου ακούγονται ορισμένοι ήχοι, οι οποίοι δεν επηρεάζουν τη σωστή λειτουργία του.

Ήχοι που μπορούν εύκολα να αποφευχθούν:

- θόρυβος που προκαλείται από τη συσκευή που δεν είναι οριζόντιος - ρυθμίστε τη θέση με τα ρυθμιζόμενα μπροστινά πόδια περιστροφής. Εναλλακτικά, τοποθετήστε μαξιλαράκια από μαλακό υλικό κάτω από τους πίσω κυλίνδρους, ειδικά όταν η συσκευή είναι τοποθετημένη σε πλακάκια.
- αγγίζοντας το διπλανό έπιπλο - απομακρύνετε το ψυγείο.
- τρίξιμο των συρταριών ή των ραφιών - βγάλτε και ξαναβάλτε το συρτάρι ή το ράφι.
- ήχοι από τσουγκρίσματα μπουκαλιών - απομακρύνετε τα μπουκάλια.

Οι ήχοι που ακούγονται κατά την κανονική χρήση οφείλονται κυρίως στη λειτουργία του θερμοστάτη, του συμπιεστή (ενεργοποίηση) και του συστήματος ψύξης (θερμική διαστολή και συστολή του ψυγείου που προκαλείται από τη ροή του ψυκτικού παράγοντα).

ΟΔΗΓΙΕΣ ΕΓΚΑΤΑΣΤΑΣΗΣ

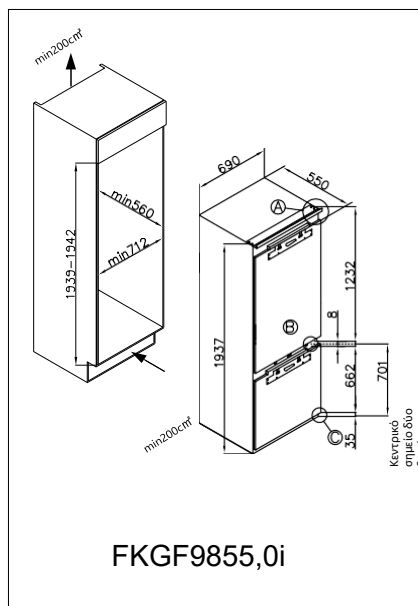
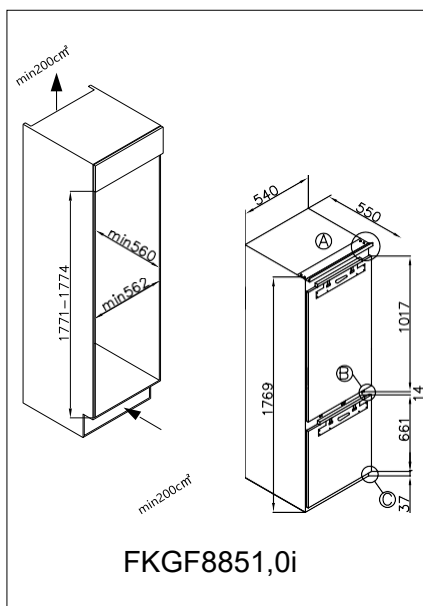
Προετοιμασία εγκατάστασης

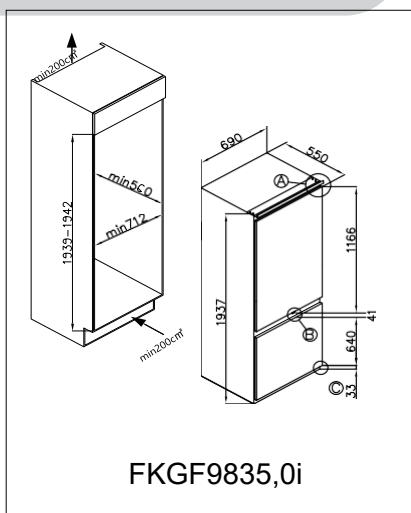
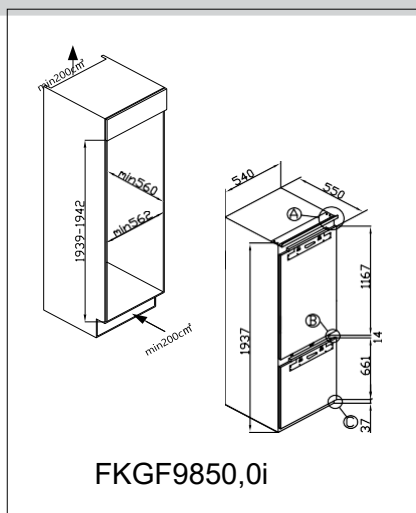
Αυτή η συσκευή δεν πρέπει ποτέ να εγκαθίσταται κοντά σε πηγές θερμότητας, π.χ. θερμαντικά στοιχεία ή κουζίνες, ούτε σε υγρούς χώρους.

Ζητήστε τη βοήθεια ενός άλλου ατόμου, ή δύο, κατά την εγκατάσταση αυτής της συσκευής. Αυτή η συσκευή μπορεί να έχει αιχμηρές άκρες. Φοράτε επαρκή ΜΑΠ για την εργασία και το περιβάλλον.

- Για να βεβαιωθείτε ότι η συσκευή είναι επίπεδη, θα πρέπει να χρησιμοποιήσετε τα ρυθμιζόμενα καθ' ύψος πόδια στο μπροστινό μέρος της συσκευής.
- Το σύστημα ψύξης στο πίσω μέρος της συσκευής δεν πρέπει να αγγίζει το πίσω τοίχωμα. Όσο μεγαλύτερο είναι το χάσμα, τόσο το καλύτερο.
- Η συσκευή πρέπει να εγκατασταθεί με επαρκή αερισμό. Βεβαιωθείτε ότι υπάρχει διάκενο πάνω από τη συσκευή για τη διαφυγή του αέρα και ότι υπάρχει χώρος μεταξύ του πίσω μέρους της συσκευής και του τοίχου.

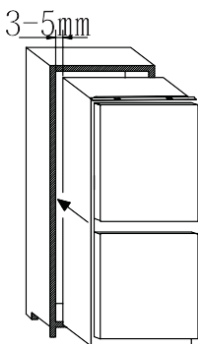
Σχέδιο εγκατάστασης



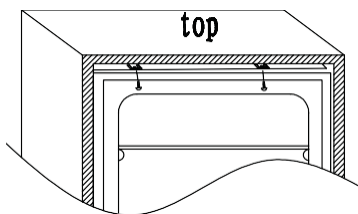


Οδηγίες εγκατάστασης (συρόμενος μεντεσέ)

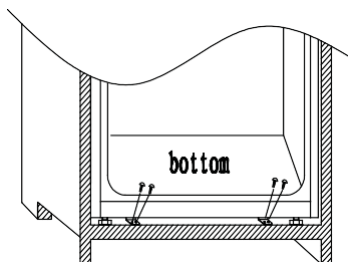
1) Τοποθετήστε τη συσκευή στα ξύλινα έπιπλα, τοποθετώντας την στην αντίθετη θέση από τους μεντεσέδες και βεβαιωθείτε ότι υπάρχει απόσταση 3-5 mm.



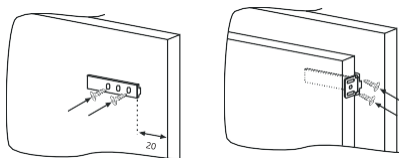
2) Μετά εξασφαλίζοντας ο αγκώνας μεταξύ συσκευή θύρα και στήλη θύρα, έπειτα βίδα το πάνω μέρος της συσκευής στο ντουλάπι.



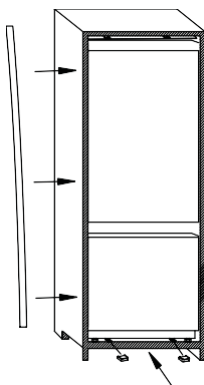
3) Βιδώστε το κάτω μέρος της συσκευής.



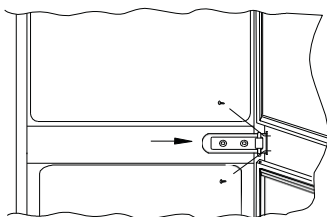
6) Στερεώστε το ρυθμιστικό και τη βάση του ολισθητήρα στην ξύλινη πόρτα και την πόρτα της συσκευής



4) Τοποθετήστε τη τσιμούχα στη συσκευή, κόψτε το υπερβολικό μέρος εάν χρειάζεται. Τοποθετήστε τα κάτω μέρη με πλαστικά καλύμματα.

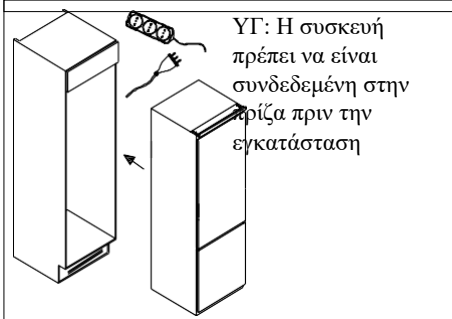


5) Χρησιμοποιήστε ένα σταυροκατσάβιδο για να χαλαρώσετε τον πείρο σύνδεσης κάτω από τον δεξιό μεσαίο μεντεσέ και ρυθμίστε να βιδώσετε στον δεξιό τοίχο του ντουλαπιού.

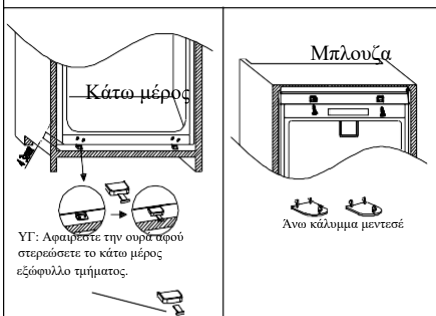


Οδηγίες εγκατάστασης (FIX μεντεσέ)

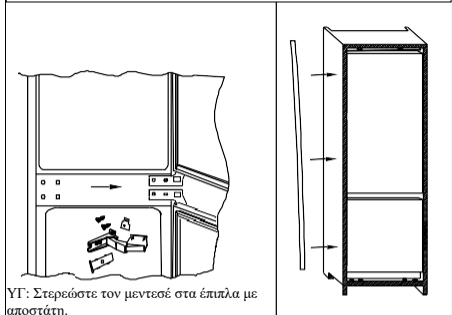
1. Σπρώξτε τη συσκευή μέσα στα ξύλινα επίπλα, η συσκευή θα πρέπει να προσεγγίσει καλύτερα τα επίπλα στην αριστερή πλευρά.



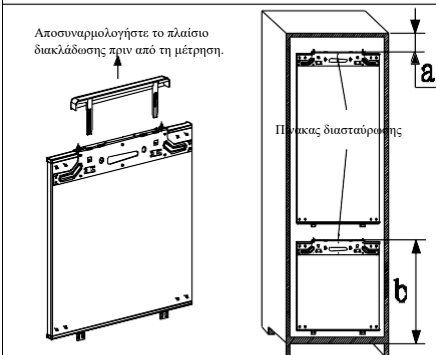
2. Προσαρμόστε τη θέση της συσκευής, βιδώστε το επάνω και το κάτω μέρος του προϊόντος στα επίπλα



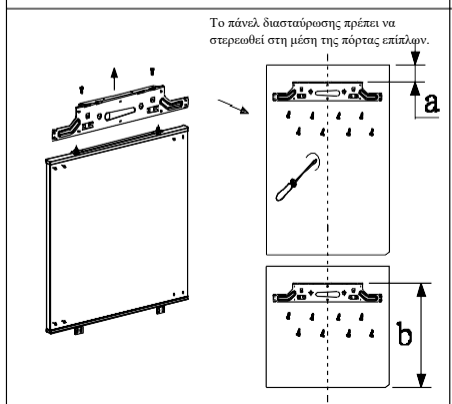
3. Στερεώστε τον μεντεσέ στα επίπλα με βίδα, στερεώστε τη διακοσμητική λωρίδα στην αριστερή πλευρά του προϊόντος.



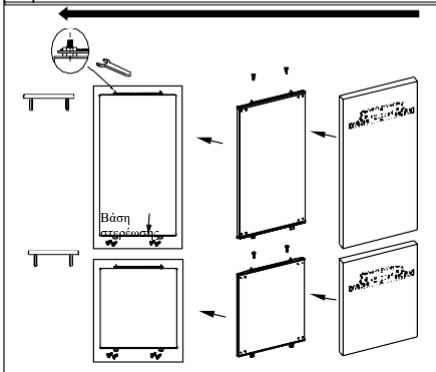
4. Μετρήστε τη διάσταση στα α και β.



5. Στερεώστε το πάνελ σύνδεσης στην πόρτα επίπλων.



6. Στερεώστε την πόρτα της συσκευής στην πόρτα των επίπλων.



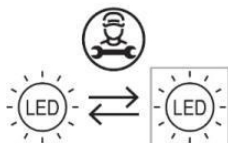
Contenuto

LINEE GUIDA RIGUARDANTI LA SICUREZZA D'USO	200
CONDIZIONI DI INSTALLAZIONE E FUNZIONAMENTO DELL'APPARECCHIO ...	206
DISIMBALLAGGIO	207
SMALTIMENTO VECCHIO APPARECCHIO.....	207
CONTROLLI.....	208
FUNZIONAMENTO E FUNZIONI.....	209
USO EFFICIENTE DEL FRIGORIFERO	212
SBRINAMENTO, LAVAGGIO E MANUTENZIONE.....	213
RISOLUZIONE DEI PROBLEMI	215
ISTRUZIONI PER L'INSTALLAZIONE	217

LINEE GUIDA RIGUARDANTI LA SICUREZZA D'USO

- L'apparecchio è destinato esclusivamente all'uso domestico.
- Il produttore si riserva il diritto di apportare modifiche che non pregiudicano il funzionamento dell'apparecchio.
- Alcune disposizioni di questo manuale utente sono unificate per la refrigerazione di prodotti di diverso tipo (per frigorifero, frigorifero-congelatore o congelatore)
- Il Costruttore non potrà essere ritenuto responsabile per danni derivanti dalla mancata osservanza delle istruzioni contenute nel presente manuale.
- Conservare questo manuale per riferimento futuro o per trasmetterlo all'utente successivo.
- Questo apparecchio non è destinato all'uso da parte di persone (inclusi i bambini) con capacità fisiche o mentali limitate e persone che non hanno esperienza o familiarità con l'apparecchio.
- Non permettere ai bambini di utilizzare l'apparecchio. Non permettere loro di giocare con l'apparecchio. Non devono arrampicarsi all'interno dei cassetti e dondolarsi sulle ante.
- L'apparecchio funziona correttamente alla temperatura ambiente (vedere la scheda prodotto). Non utilizzarlo in cantina, cottage estivo non riscaldato durante l'autunno e l'inverno.
- Quando si posiziona, si sposta o si solleva l'apparecchio, non afferrarlo per le maniglie della porta, non tirare il condensatore nella parte posteriore del frigorifero e non toccare il gruppo compressore.
- Durante il trasporto, lo spostamento o il posizionamento del frigo-congelatore non inclinarlo di oltre 40° rispetto alla posizione verticale. Qualora si verificasse una situazione del genere, l'apparecchio dovrà essere acceso dopo minimo 2 ore dalla sua ricollocazione nella giusta posizione.
- Estrarre la spina dalla presa di corrente prima di ogni attività di manutenzione. Non tirare il cavo, ma afferrare il corpo della spina.
- Il rumore "crack" che l'apparecchio può emettere è causato dall'espansione e dalla contrazione delle parti a seguito delle variazioni di temperatura.
- Per motivi di sicurezza non riparare da soli l'apparecchio. Riparazioni effettuate da persone non in possesso delle qualifiche richieste possono comportare gravi pericoli per l'utilizzatore dell'apparecchio.

- Aerare la stanza in cui è posizionato l'apparecchio per alcuni minuti (la dimensione della stanza per un prodotto contenente isobutano/R600a deve essere di almeno 4 m^3) per evitare danni al sistema di raffreddamento.
- Non ricongelare prodotti parzialmente scongelati.
- Non conservare bevande in bottiglia e lattina, soprattutto bevande gassate, nella camera del congelatore. Le lattine e le bottiglie potrebbero esplodere.
- Non mettere in bocca prodotti congelati, estratti direttamente dal congelatore (lecca lecca, cubetti di ghiaccio, ecc.), la loro bassa temperatura può provocare gravi congelamenti.
- Assicurarsi di non danneggiare il sistema di raffreddamento forando i tubi del refrigerante nell'evaporatore o rompendo i tubi. Il refrigerante è infiammabile. Se il refrigerante entra in contatto con gli occhi, sciacquarli con acqua pulita e chiamare immediatamente assistenza medica.
- Se il cavo di alimentazione si rompe, deve essere sostituito con uno nuovo in un'officina specializzata.
- Questo apparecchio è destinato alla conservazione degli alimenti, non utilizzarlo per altri scopi.
- Durante lo svolgimento di attività, quali pulizia, manutenzione o trasloco, l'apparecchio deve essere completamente scollegato dalla rete elettrica (estraendo la spina dalla presa)
- Questo apparecchio può essere utilizzato da bambini di età pari o superiore a 8 anni o da persone con handicap fisici, mentali o sensoriali, o da persone inesperte o che non hanno familiarità con l'apparecchio, a condizione che siano supervisionati o abbiano ricevuto istruzioni su come utilizzare in sicurezza l'apparecchio. L'apparecchio e hanno familiarità con i rischi associati al suo utilizzo. Assicurarsi che i bambini non giochino con l'apparecchio. La pulizia e la manutenzione dell'apparecchio non devono essere eseguite da bambini a meno che non abbiano almeno 8 anni e siano supervisionati da una persona competente.
- Per ottenere più spazio nel congelatore è possibile rimuovere i cassetti e posizionare gli alimenti direttamente sui ripiani. Ciò non ha alcun effetto sulle proprietà meccaniche del prodotto e sulle prestazioni di raffreddamento. La capacità dichiarata del congelatore è stata calcolata con i cassetti rimossi.
- Questo prodotto contiene una sorgente luminosa, sostituibile (solo LED) da un professionista.





ATTENZIONE: rischio di incendio/materiali infiammabili

- I bambini dai 3 agli 8 anni possono caricare e scaricare gli apparecchi di refrigerazione.

Per evitare la contaminazione degli alimenti si prega di rispettare le seguenti istruzioni:

- L'apertura prolungata della porta può causare un notevole aumento della temperatura nei vani dell'apparecchiatura.
- Pulire regolarmente le superfici che possono entrare in contatto con gli alimenti e i sistemi di drenaggio accessibili.
- Conservare la carne e il pesce crudi in appositi contenitori nel frigorifero, in modo che non vengano a contatto o gocciolino su altri alimenti.
- Gli scomparti per alimenti surgelati a due stelle sono adatti per conservare alimenti precongelati, conservare o preparare gelati e produrre cubetti di ghiaccio.
- Gli scomparti a una, due e tre stelle non sono adatti al congelamento di alimenti freschi.

	Scomparti TIPO	Bersaglio temperatura di conservazione[O C]	Cibo adeguato
1	Frigido	+2≤+8	Uova, cibi cotti, cibi confezionati, frutta e verdura, latticini, dolci, bevande e altri alimenti non sono adatti al congelamento.
2	Congelatore	≤-18	Frutti di mare (pesce, gamberetti, crostacei), prodotti acquatici d'acqua dolce e prodotti a base di carne (consigliati per 3 mesi, maggiore è il tempo di conservazione, peggiore è il gusto e il valore nutrizionale), adatto per alimenti freschi congelati.
3	Congelatore	≤-18	I frutti di mare (pesce, gamberetti, crostacei), i prodotti acquatici d'acqua dolce e i prodotti a base di carne (consigliati per 3 mesi, maggiore è il tempo di conservazione, peggiore sarà il gusto e il valore nutrizionale) non sono adatti per gli alimenti freschi congelati.
4	Congelatore	≤-12	Frutti di mare (pesce, gamberetti, crostacei), prodotti acquatici d'acqua dolce e prodotti a base di carne (consigliati per 2 mesi, maggiore è il tempo di conservazione, peggiore sarà il gusto e il valore nutritivo), non sono adatti per alimenti freschi congelati

5	Congelatore	≤ -6	I frutti di mare (pesce, gamberetti, crostacei), i prodotti acquatici d'acqua dolce e i prodotti a base di carne (consigliati per 1 mese, maggiore è il tempo di conservazione, peggiore sarà il gusto e il valore nutrizionale) non sono adatti per alimenti freschi congelati.
6	Scomparto a 0 stelle	$-6 \leq 0$	Maiale fresco, manzo, pesce, pollo, alcuni alimenti trasformati confezionati, ecc. (Si consiglia di consumare entro lo stesso giorno, preferibilmente non più di 3 giorni). Alimenti trasformati parzialmente incapsulati (alimenti non congelabili)
7	Freddo	$2 \leq +3$	Maiale, manzo, pollo, prodotti acquatici d'acqua dolce freschi/congelati, ecc. (7 giorni sotto 0°C e sopra 0°C è consigliato per il consumo entro quel giorno, preferibilmente non più di 2 giorni). Frutti di mare (meno di 0 per 15 giorni, non è consigliabile conservare a temperatura superiore a 0°C)
8	Cibo fresco	$0 \leq +4$	Maiale fresco, manzo, pesce, pollo, cibi cotti, ecc. (Si consiglia di consumare entro lo stesso giorno, preferibilmente non più di 3 giorni)
9	Vino	$+5 \leq +20$	vino rosso, vino bianco, spumante, ecc.

- Nota: conservare alimenti diversi a seconda degli scomparti o della temperatura di conservazione target dei prodotti acquistati.
- Se l'apparecchio di refrigerazione viene lasciato vuoto per lunghi periodi, spegnerlo, sbrinarlo, pulirlo, asciugarlo e lasciare la porta aperta per evitare la formazione di muffe all'interno dell'apparecchio.
- Pulizia dell'erogatore dell'acqua (speciale per i prodotti dell'erogatore dell'acqua): pulire i serbatoi dell'acqua se non sono stati utilizzati per 48 ore; lavare l'impianto idrico collegato alla rete idrica se non è stata prelevata acqua per 5 giorni.
- Ai sensi del Regolamento (UE) 2019/2019 della Commissione, il periodo minimo di disponibilità dei pezzi di ricambio necessari per riparare l'apparecchio è di 7 o 10 anni a seconda del tipo e dello scopo del pezzo di ricambio.
- L'elenco dei pezzi di ricambio e la procedura di ordinazione sono disponibili sui siti web del produttore, dell'importatore o di un rappresentante autorizzato.
- Per ulteriori informazioni sul prodotto, fare riferimento al database dei prodotti EPREL dell'UE all'indirizzo <https://eprel.ec.eu-ropa.eu>. Per ulteriori informazioni, utilizza il tuo dispositivo mobile per scansionare il codice QR sull'etichetta energetica o inserisci il modello del prodotto elencato sull'etichetta energetica nel motore di ricerca EPREL <https://eprel.ec.europa.eu/>

CONDIZIONI DI INSTALLAZIONE E FUNZIONAMENTO DELL'APPARECCHIO

Questo apparecchio di refrigerazione è destinato all'uso come apparecchio da incasso.

Installazione prima del primo utilizzo dell'apparecchio

- Estrarre il prodotto dalla confezione, rimuovere lo scotch che protegge la porta e l'apparecchiatura. Eventuali macchie adesive rimanenti possono essere rimosse con un detergente delicato agente di lavaggio.
- Non gettare gli elementi in polistirolo dell'imballo. Se è necessario trasportare il frigo-congelatore, imballarlo negli elementi in polistirolo e nella pellicola oltre a proteggerlo con nastro adesivo
- Pulire la superficie interna del frigorifero/congelatore e gli elementi dell'apparecchiatura con un detersivo disciolto in acqua tiepida, quindi asciugare.
- Posizionare il frigo-congelatore su una superficie piana, piana e stabile, in un locale asciutto, ventilato e ombreggiato, lontano da fonti di calore quali: forno, piano cottura, riscaldamento centralizzato radiatori, tubi del riscaldamento centrale, impianti di acqua calda, ecc.
- Sulla superficie esterna del prodotto può essere presente una pellicola protettiva, tale pellicola deve essere rimossa.
- Assicurarsi che l'apparecchio sia posizionato in posizione orizzontale avvitando le 2 gambe anteriori regolabili.
- Assicurarsi che la distanza tra il lato dell'elettrodomestico (sul lato delle cerniere della porta) e la parete sia sufficiente per garantire che la porta si apra liberamente.
- Garantire un'adeguata ventilazione della stanza e una libera circolazione dell'aria da tutti i lati dell'apparecchio.

Distanze minime dalle fonti di calore

- dal gas elettrico e altri forni - 30 mm,
- da forni a petrolio o carbone - 300 mm,
- dai forni da incasso - 50 mm

Qualora non fosse possibile garantire le distanze sopra indicate, prevedere un idoneo pannello isolante.

Avvertimento:

- La parete posteriore del frigorifero, in particolare, il condensatore e gli altri elementi del sistema di raffreddamento non devono entrare in contatto con altri elementi che potrebbero danneggiarli (es. tubi del riscaldamento centralizzato e tubi di alimentazione dell'acqua).
- È vietato riaggiustare o modificare qualsiasi parte dell'unità. È fondamentale non danneggiare il tubo capillare visibile nella cavità del compressore. Il tubo non deve essere piegato, raddrizzato o avvolto.
- Se il tubo capillare viene danneggiato dall'utente la garanzia decade.
- In alcuni modelli la maniglia è inserita nell'apparecchio, è necessario avvitare con il proprio cacciavite,

Collegamento alla rete

- Prima del collegamento, si consiglia di impostare la manopola di controllo della temperatura su "OFF" o su un'altra posizione che scolleghi l'apparecchio dall'alimentazione (Vedi pagina con la descrizione del controllo).

- Questo apparecchio deve essere collegato alla presa di alimentazione CA 220-240 V 50 Hz. La presa deve essere montata correttamente e deve essere dotata di canale di terra e di fusibile da 10A.
- È un requisito legale che l'apparecchio sia adeguatamente collegato a terra. Il produttore non sarà ritenuto responsabile per eventuali danni o lesioni che potrebbero derivarne dal mancato adempimento di tale obbligo.
- Non utilizzare adattatori, prese multiple e prolunghe a due fili. Se è necessario l'utilizzo della prolunga, questa deve essere dotata di anello di protezione e presa singola e deve avere il certificato di sicurezza VDE/GS.
- Se si utilizza una prolunga (provvista di anello di protezione e certificato di sicurezza), la sua presa deve essere posizionata a distanza di sicurezza, lontano dai lavelli, e non deve trovarsi in un luogo dove possa essere allagata da acqua o acque di scarico.
- Per le specifiche dettagliate** vedere la targhetta sulla parte inferiore della parete interna dell'apparecchio**.

Scollegamento della rete

Assicurarsi che l'apparecchio possa essere facilmente scollegato dalla rete elettrica, sia estraendo la spina dalla presa di rete, sia spegnendo l'interruttore bipolare.

Gamma climatica

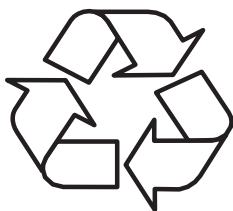
Le informazioni sul range climatico dell'apparecchio sono riportate sulla targhetta dati o sul cartone.

Classe climatica		Temperatura ambiente consentita
SN	Temperato esteso	Questo apparecchio di refrigerazione è destinato all'uso a una temperatura ambiente compresa tra 10°C e 32°C
N	Temperato	Questo apparecchio di refrigerazione è destinato all'uso a una temperatura ambiente compresa tra 16°C e 32°C
SAN	Subtropicale	Questo apparecchio di refrigerazione è destinato all'uso a una temperatura ambiente compresa tra 16 °C e 38 °C
T	Tropicale	Questo apparecchio di refrigerazione è destinato all'uso a una temperatura ambiente compresa tra 16 °C e 43 °C

*Solo apparecchi da libera installazione

** Secondo il modello

DISIMBALLAGGIO



Durante il trasporto è stato utilizzato un imballaggio protettivo per proteggere l'apparecchio da eventuali danni. Dopo aver disimballato, smaltire tutti gli elementi dell'imballaggio in modo tale da non causare danni all'ambiente.

Tutti i materiali utilizzati per l'imballaggio dell'apparecchio sono ecologici; sono

Sono riciclabili al 100% e sono contrassegnati con l'apposito simbolo.

Importante! I materiali dell'imballaggio (sacchetti, polietilene, polistirolo, ecc.) devono essere tenuti lontano dalla portata dei bambini durante il disimballaggio.

SMALTIMENTO VECCHIO APPARECCHIO



In conformità alla Direttiva Europea 2012/19/UE e alla legislazione locale relativa ai beni elettrici ed elettronici usati, questo apparecchio è contrassegnato dal simbolo del contenitore dei rifiuti barrato. Questa marcatura indica che l'apparecchio non deve essere smaltito insieme agli altri rifiuti domestici dopo l'uso.

L'utente è tenuto a consegnarlo al centro di raccolta rifiuti per la raccolta dei beni elettrici ed elettronici usati. I raccoglitori, compresi i punti di raccolta locali, i negozi e i dipartimenti delle autorità locali, forniscono programmi di riciclaggio.

La corretta gestione dei beni elettrici ed elettronici usati aiuta a evitare rischi per l'ambiente e la salute derivanti dalla presenza di componenti pericolosi e dallo stoccaggio e dal trattamento inappropriati di tali beni.

CONTROLLI



1. Alla prima accensione, l'apparecchio funziona sempre alle impostazioni: 5°C per il frigorifero, 0°C per My Zone e -18°C per il congelatore. Se si desidera regolare manualmente la temperatura o le funzioni, premere il pulsante per effettuare le operazioni. Intervalli di temperatura della zona di adattamento da -3 °C a 3 °C.
2. Regolazione della temperatura del frigorifero: premere il pulsante ④ sulla parte sinistra del pannello di controllo per ottenere temperature diverse da 2°C a 8°C.
3. Regolazione della temperatura del congelatore: premere il pulsante ⑤ sulla parte destra del pannello di controllo per ottenere temperature diverse da -15°C a -25°C.
4. Funzione di regolazione del cassetto My Zone: questo pulsante ① controlla la temperatura. Premendo questo pulsante la cifra passerà da -3° a +3°. Questa funzione può essere attivata/disattivata premendo continuamente per tre secondi.
5. Funzione di raffreddamento rapido –Premere il pulsante ②, la luce del pulsante si accende e la funzione di raffreddamento rapido viene attivata, il frigorifero inizia a funzionare automaticamente all'impostazione della temperatura di 2°C e si spegne dopo 24 ore, la luce del simbolo si spegne.
6. Funzione vacanza–Premere il pulsante ③, la luce del pulsante si accende, la funzione vacanza viene attivata e l'intero apparecchio inizia a funzionare automaticamente con le impostazioni: frigorifero a 17°C e congelatore a -18°C.
7. Funzione Eco – Premere il pulsante ⑥ sul pannello di controllo, la funzione eco viene attivata e il pulsante si illumina, lo scomparto frigorifero funziona con l'impostazione 5°C e lo scomparto congelatore funziona con l'impostazione -18°C. La zona di adattamento funziona con l'impostazione 3°C.
8. Funzione congelamento rapido – Premere il pulsante ⑦, la luce del pulsante si accende e il congelatore inizia a funzionare con la funzione di congelamento rapido, impostazione della temperatura -25°C. Dopo 24 ore, la funzione di congelamento rapido si chiude automaticamente.
9. Premere il pulsante ⑧ per 3 secondi per spegnere l'apparecchio e il pulsante si illumina, l'alimentazione viene interrotta. Le lampade interne si eliminano, il compressore smette di funzionare. Premere il pulsante ⑧ per 3 secondi per accendere l'apparecchio, il simbolo si illumina e l'alimentazione viene nuovamente collegata.

Ulteriori informazioni sulla temperatura

- La temperatura all'interno dell'apparecchio è influenzata da molti fattori. Il modo in cui si imposta il quadrante di controllo della temperatura dipende dalla temperatura ambiente, dall'esposizione al sole, dalla frequenza con cui si apre la porta e dalla quantità di cibo conservato. Nella maggior parte dei casi, l'impostazione centrale del quadrante è ottimale.
- Non mettere il cibo nel frigorifero prima che abbia raggiunto la temperatura operativa, che richiede almeno 4 ore.
- Non modificare le impostazioni della temperatura a causa del cambiamento della stagione dell'anno. L'aumento della temperatura ambiente verrà rilevato dal sensore ed il compressore verrà acceso automaticamente per un periodo di tempo più lungo in modo da mantenere la temperatura impostata all'interno delle camere.
- Leggeri sbalzi di temperatura sono del tutto normali e possono verificarsi, ad esempio, durante la conservazione di grandi quantità di prodotti freschi nel frigorifero, o quando la porta rimane aperta per un periodo di tempo prolungato. Ciò non influisce sullo stato degli alimenti conservati. e la temperatura tornerà rapidamente al valore impostato.

Codice di errore

Questo apparecchio è dotato della funzione di visualizzazione guasti e allarme. Una volta che i sensori si sono guastati, vengono visualizzati degli allarmi sul display della temperatura, l'apparecchio continua a raffreddarsi ma è necessario chiamare un tecnico dell'assistenza professionale per controllare l'apparecchio.

F2 – Sensore della zona adattata

F3 – Sensore frigorifero appartamento

F4 – Sensore vano congelatore

F5 – Sensore di sbrinamento

2E – Guasto al ventilatore/motore del congelatore

CE– Errore di comunicazione tra pannello principale e pannello display. Gli errori sopra indicati vengono visualizzati solo sul display, senza voce

Allarme di sovratemperatura nel congelatore: dopo che la temperatura del congelatore raggiunge la temperatura impostata, successivamente, se la temperatura sale a >-1 °C, si attiverà l'allarme, accompagnato dal lampeggio della cifra della temperatura del congelatore. Premere qualsiasi pulsante per annullare l'allarme vocale. Il flash rimarrà finché la temperatura non sarà <-1 °C.

PS: la scheda principale si trova nel vano del compressore

FUNZIONAMENTO E FUNZIONI

Conservazione degli alimenti nel frigorifero-congelatore

- I prodotti dovranno essere posti su piatti, in contenitori o confezionati in pellicola per alimenti. Distribuirli uniformemente sugli scaffali.
- Se il cibo entra in contatto con la parete posteriore, i prodotti potrebbero ghiacciarsi o bagnarsi.
- Non mettere i piatti con cibi caldi nel frigorifero
- I prodotti che assorbono facilmente i sapori come burro, latte, formaggio bianco e i prodotti dal sapore intenso, come pesce, carne affumicata, formaggi a pasta dura devono essere collocati sugli scaffali, confezionati in pellicola alimentare o in contenitori ermetici.
- La conservazione di verdure contenenti notevoli quantità di acqua provocherà il deposito di condensa sui contenitori delle verdure, ciò non pregiudica il corretto funzionamento del frigorifero.
- Prima di riporre le verdure in frigorifero, asciugatele bene.
- L'umidità eccessiva riduce la durata di conservazione delle verdure, in particolare delle verdure a foglia.
- Non lavare le verdure prima di riporle in frigorifero. Il lavaggio toglie la protezione naturale, quindi è meglio lavare le verdure direttamente prima del consumo.
- Si consiglia di riporre i prodotti nei cassetti congelatore 1, 2, 3* fino alla naturale capacità di carico.**

1. Prodotti confezionati
2. Mensola
3. Capacità di carico naturale

- È consentito impilare i prodotti sui ripiani del congelatore.*
- È accettabile posizionare i prodotti oltre la capacità di carico naturale di 20-30 mm.**
- Per aumentare la capacità di carico della cella freezer e consentire l'impilamento dei prodotti sulle griglie dell'evaporatore del freezer fino alla massima altezza è possibile rimuovere i cassetti 1 e 2.*

Congelamento degli alimenti**


- Praticamente tutti i prodotti alimentari, ad eccezione delle verdure consumate crude, come la lattuga, possono essere congelati.
- Devono essere congelati solo prodotti alimentari di altissima qualità, suddivisi in piccole porzioni monouso.
- I prodotti devono essere imballati con materiali inodori, resistenti alla penetrazione dell'aria e dell'umidità e non sensibili ai grassi. Sacchetti di plastica, fogli di polietilene e alluminio sono i migliori materiali di imballaggio.
- L'imballaggio deve essere stretto e aderire ai prodotti congelati. Non utilizzare contenitori di vetro.
- Conservare gli alimenti freschi e caldi a temperatura ambiente lontano dai prodotti già congelati.
- Si consiglia di non inserire nel congelatore più alimenti freschi alla volta al giorno (vedere tabella delle specifiche tecniche).
- Per mantenere una qualità ottimale degli alimenti congelati, riorganizzare gli alimenti che si trovano al centro del congelatore, in modo che non tocchino i prodotti non ancora congelati.
- Si consiglia di spostare da un lato i prodotti già congelati e di posizionare i prodotti freschi da congelare sul lato opposto, il più vicino possibile alle pareti posteriori e laterali.

- Per congelare i prodotti, utilizzare lo spazio contrassegnato .
- Tieni presente che la temperatura nel congelatore è influenzata da diversi fattori, tra cui la temperatura ambiente e la quantità di prodotti alimentari nella camera, la frequenza di apertura della porta, la quantità di brina nel congelatore e l'impostazione del termostato.
- Se non è possibile aprire la porta del congelatore subito dopo averla chiusa, attendere 1-2 minuti affinché la pressione negativa venga compensata, quindi riprovare ad aprire la porta.

Il tempo di conservazione dei prodotti surgelati dipende dalla loro qualità prima del congelamento quando freschi e dalla temperatura di conservazione. Si consigliano i seguenti periodi di conservazione quando viene mantenuta la temperatura di -18°C o inferiore:

Prodotti	Mesi
Manzo	6-8
Vitello	3-6
Frattaglie	1-2
Maiale	3-6
Pollame	6-8
Uova	3-6
Pescare	3-6
Verdure	10-12
Frutta	10-12

Non conservare gli alimenti congelati nella camera di raffreddamento rapido. In questa camera è possibile preparare e conservare i cubetti di ghiaccio.

Nota: Se l'apparecchio non dispone di un vano congelatore (), non è adatto al congelamento degli alimenti.

* Applicabile agli apparecchi dotati di vano congelatore nella parte inferiore dell'apparecchio.

** Applicabile agli apparecchi dotati di vano congelatore

*** Non applicabile agli apparecchi dotati di vano congelatore contrassegnato

USO EFFICIENTE DEL FRIGORIFERO

Consigli pratici per tutti i giorni

- Non posizionare frigoriferi o congelatori accanto a radiatori, stufe, stufe o alla luce diretta del sole.
- Assicurarsi che le prese d'aria non siano coperte e pulirle dalla polvere una o due volte l'anno.
- Scegli la temperatura giusta: da 6 a 8°C nel frigorifero e -18°C nel congelatore sono sufficienti.
- Quando sei in vacanza, alza la temperatura del tuo frigorifero.
- Apri il frigorifero o il congelatore solo quando necessario. È utile sapere quale cibo contiene ciascuno e dove si trova. Riponete il cibo nel frigorifero o nel congelatore il più presto possibile dopo averlo utilizzato, in modo che non si scaldi troppo.
- Pulisci regolarmente l'interno del frigorifero con un panno imbevuto di un detergente delicato. Gli apparecchi che non si sbrinano automaticamente necessitano di uno sbrinamento regolare. Evitare la formazione di strati di brina più spessi di 10 mm.
- Mantenere pulita la guarnizione attorno alla porta, altrimenti non si chiuderà correttamente. Sostituire sempre le guarnizioni rotte.

Capire le stelle

La temperatura è almeno -6°C; sufficiente per conservare gli alimenti congelati per circa una settimana. I cassetti o gli scomparti contrassegnati con una stella erano una caratteristica dei frigoriferi (per lo più) più economici.

Il cibo può essere conservato a -12°C o meno per 1-2 settimane senza perdere il suo sapore. Non adatto per congelare gli alimenti.

Questa classificazione viene utilizzata principalmente per conservare gli alimenti a -18°C o a temperature inferiori. Può essere utilizzato anche per congelare fino a 1 chilogrammo di alimenti freschi.

Questo apparecchio è adatto per conservare alimenti a una temperatura pari o inferiore a -18°C e congelamento di grandi quantità di alimenti freschi.

Consigli pratici

A causa della circolazione naturale dell'aria all'interno dell'apparecchio, nel vano frigorifero si trovano diverse zone di temperatura.

- La zona più fredda è direttamente sopra i cassetti della verdura. Utilizzare quest'area per tutti gli alimenti delicati e altamente deperibili, ad esempio:
 - Pesce, carne, pollame
 - Insaccati, piatti pronti
 - Piatti o prodotti da forno contenenti uova o panna
 - Impasto fresco, impasti per torte
 - Verdura preconfezionata e altri alimenti freschi con un'etichetta che indica che devono essere conservati a una temperatura di circa 4 °C.
- La zona più calda è nella parte superiore della porta. Usalo per conservare burro e formaggio.

Alimenti che non devono essere conservati in frigorifero

- Non tutti gli alimenti sono adatti alla conservazione in frigorifero, in particolare:
 - Frutta e verdura sensibili al freddo, come banane, avocado, papaya, frutto della passione, melanzane, peperoni, pomodori e cetrioli.
 - Frutto non ancora maturo
 - Patate

Avvertimento:

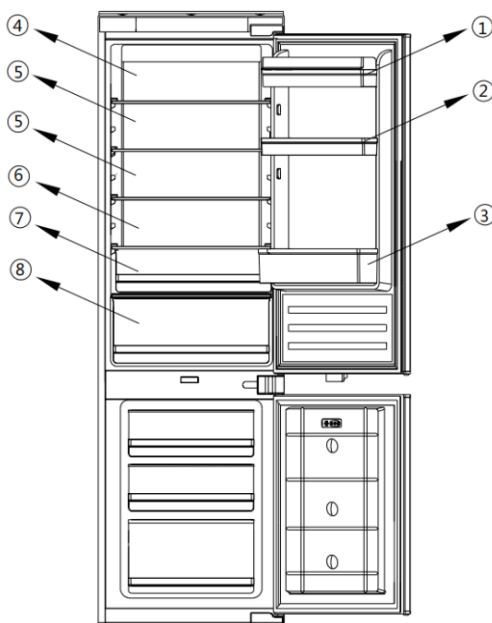
Esempio di conservazione degli alimenti - vedere sotto

Per ottenere la conservazione degli alimenti più efficace e per il tempo più lungo possibile ed evitare sprechi di cibo, posizionare i prodotti come mostrato nella Figura 12. Inoltre, questa figura illustra la disposizione di cassetti, cestelli e ripiani, che consente l'uso più efficiente di energia.

Condizioni ottimali di temperatura e conservazione prolungheranno la durata di conservazione del prodotto e ottimizzeranno il consumo di elettricità. L'intervallo di temperatura di conservazione ottimale deve essere indicato sulla confezione del prodotto alimentare.

Il vano frigorifero serve per la conservazione degli alimenti a breve termine. Sebbene sia possibile mantenere basse temperature, non sono consigliati periodi prolungati di conservazione degli alimenti. Poiché l'aria fredda circola all'interno del frigorifero, la temperatura può variare tra le diverse sezioni. Pertanto, gli alimenti dovrebbero essere conservati in sezioni diverse a seconda della tipologia.

1. Burro, formaggi ecc.
2. Alimenti in barattoli e bottiglie
3. Bevande, ad es. latte
4. Cibo cucinato
5. Yogurt, conserve, ecc.
6. Bottiglie da 75cl o piatti pronti ecc.
7. Frutta e verdura
8. Carne e pesce freschi/frutta e verdura



I ripiani del frigorifero possono essere spostati in base alle esigenze di conservazione all'interno del vano frigorifero. Per spostare il ripiano sollevare la sezione posteriore e poi tirarla verso l'esterno. La configurazione a maggior risparmio energetico richiede che cassetti, contenitore per alimenti e ripiani siano posizionati nel prodotto, fare riferimento alle immagini sopra.

SBRINAMENTO, LAVAGGIO E MANUTENZIONE

Non pulire mai l'involucro o le parti in plastica del prodotto utilizzando solventi o detersivi aggressivi e abrasivi (ad esempio detersivi o creme)! Utilizzare solo detersivi liquidi delicati e panni morbidi. Non utilizzare spugne.

Sbrinamento del frigorifero***

- Sulla parete posteriore del vano frigorifero si deposita la brina. Viene rimosso automaticamente. Durante lo sbrinamento la condensa, che contiene impurità, può ostruire l'apertura di passaggio. Se ciò dovesse verificarsi, sturare con attenzione l'apertura con il tappo di pulizia.
- L'apparecchio funziona a cicli: refrigera (poi la brina si deposita sul retro parete) e sbrina (l'acqua scorre lungo la parete posteriore)
- Prima di pulirlo scollegare l'apparecchio dalla rete elettrica, staccando la spina dalla presa di corrente o spegnendo il fusibile. Evitare che l'acqua penetri nel pannello di controllo o nella luce.
- Non utilizzare aerosol sbrinanti. Potrebbero provocare la formazione di miscele esplosive o contenere solventi che potrebbero danneggiare i componenti in plastica dell'apparecchio e risultare dannosi per la salute.
- Assicurarsi che l'acqua utilizzata per la pulizia non defluisca nel contenitore di evaporazione attraverso l'apertura di scarico.
- L'intero apparecchio, ad eccezione della guarnizione della porta, deve essere pulito con un detersivo delicato. La guarnizione della porta deve essere pulita con acqua e asciugata.
- Lavare tutti gli accessori (contenitori per verdure, ripiani della porta, ripiani in vetro, ecc.).

Sbrinamento del congelatore**

- Si consiglia di abbinare lo sbrinamento dell'apparecchio al lavaggio.
- Un eccessivo accumulo di ghiaccio nelle zone di congelamento compromette la capacità di congelamento dell'apparecchio e aumenta il consumo di energia.
- Sbrinare l'apparecchio almeno una o due volte l'anno. In caso di maggiore formazione di ghiaccio è necessario effettuare lo sbrinamento con maggiore frequenza.
- Se nel congelatore è presente del cibo, posizionare la manopola al massimo, posizione circa 4 ore prima dello sbrinamento previsto. Ciò garantirà la possibilità di conservare gli alimenti a temperatura ambiente per un tempo più lungo.
- Dopo aver tolto il cibo dal congelatore, mettetelo in un contenitore, avvolgetelo con più strati di carta, una coperta e conservatelo in un luogo fresco.
- L'operazione di sbrinamento dovrebbe durare il più breve possibile. La lunga conservazione degli alimenti a temperatura ambiente ne riduce la durata di conservazione.

Sbrinare la camera del congelatore seguendo i passaggi:**

- Spegnere l'apparecchio tramite il pannello di controllo ed estrarre la spina dalla presa.
- Aprire la porta e rimuovere il cibo dal congelatore.
- A seconda del modello, estrarre il tubo di scarico situato sul fondo del vano congelatore e posizionarvi sotto un recipiente adatto.
- Lasciare la porta aperta per accelerare il processo di scongelamento. Inoltre, all'interno del vano congelatore può essere posizionata una pentola con acqua calda (non bollente).
- Lavare l'interno del congelatore e asciugarlo.
- Accendere l'apparecchio come indicato nel relativo punto del manuale.

Sbrinamento automatico del frigorifero****

La camera del frigorifero è stata dotata di una funzione di sbrinamento automatico. Tuttavia, sulla parete posteriore del vano frigorifero può depositarsi della brina. Ciò accade di solito quando nel frigorifero vengono conservate grandi quantità di prodotti alimentari freschi.

Sbrinamento automatico del congelatore****

La camera congelatore è stata dotata di una funzione di sbrinamento automatico (no-frost). Gli alimenti vengono congelati nella circolazione dell'aria raffreddata e l'umidità della camera del congelatore viene scaricata all'esterno. Di conseguenza, nel congelatore non si formano né ghiaccio né brina e i prodotti non si congelano uno sull'altro.

Lavaggio manuale del vano frigorifero e congelatore****

Si consiglia di lavare le camere frigo e freezer almeno una volta all'anno. Ciò impedisce la formazione di batteri e cattivi odori. Spegnerne l'apparecchio, rimuovere gli alimenti dalle camere e lavarli con acqua e un detergente delicato. Quindi, asciugare le camere con un panno.

Estrarre e riporre negli scaffali*****

Estrarre il ripiano, quindi farlo scorrere il più possibile in modo che il morsetto possa adattarsi alla scanalatura della guida.

Estrarre e riporre il ripiano della porta*****

Sollevarlo il ripiano della porta, rimuoverlo e ricollocarlo dall'alto nella posizione desiderata.

AVVERTIMENTO! Non è assolutamente consentito inserire nel congelatore una stufa elettrica, una ventola di riscaldamento o un asciugacapelli.

** Applicabile agli apparecchi dotati di vano congelatore.
Non applicabile agli apparecchi dotati di sistema Frost-free.

*** Applicabile agli apparecchi dotati di vano frigorifero. Non applicabile agli apparecchi dotati di sistema Frost-free.

**** Applicabile agli apparecchi dotati di Sistema Frost-free.

***** Non si applica ai congelatori

RISOLUZIONE DEI PROBLEMI

I problemi	Cause possibili	Rimedi
L'apparecchio non funziona	Il circuito elettrico è interrotto	<ul style="list-style-type: none"> - verificare se la spina è inserita correttamente nella presa - verificare che il cavo di alimentazione dell'apparecchio non sia danneggiato - verificare se c'è tensione nella presa, collegando un altro apparecchio, ad es. una lampada da notte - verificare se l'apparecchio è acceso impostando il termostato mostat su una posizione superiore a 0.
L'illuminazione all'interno della camera non funziona	La lampadina è allentata o fusa (solo apparecchi con illuminazione a lampadina)	<ul style="list-style-type: none"> - montare correttamente la lampada o sostituirla (vedere paragrafo precedente "Sostituzione lampada interna")
L'apparecchio funziona continuamente	<p>Impostazione errata della manopola di regolazione</p> <p>Vedere. "La temperatura all'interno dell'apparecchio non è sufficientemente bassa da poter descrivere altre possibili cause"</p>	<ul style="list-style-type: none"> - riportare la manopola in una posizione più bassa Vedere. "La temperatura all'interno dell'apparecchio non è sufficientemente bassa da consentire la descrizione di altri possibili rimedi"
L'acqua si raccoglie nella parte inferiore dell'apparecchio	<p>L'apertura di scarico dell'acqua è ostruita (a seconda del modello)</p> <p>Circolazione dell'aria interna ostruita</p>	<ul style="list-style-type: none"> - pulire l'apertura di scarico (vedere il manuale d'uso – capitolo intitolato "Sbrinamento del frigo") - posizionare gli alimenti ed i contenitori in modo tale che non tocchino la parete posteriore del frigorifero
L'apparecchio genera un rumore insolito	<p>Livellamento errato dell'apparecchio</p> <p>L'apparecchio tocca mobili e/o altri oggetti</p>	<ul style="list-style-type: none"> - livellare adeguatamente l'apparecchio - posizionare l'apparecchio in un luogo che garantisca uno spazio libero attorno ad esso adeguato

I problemi	Cause possibili	Rimedi
La temperatura all'interno dell'apparecchio non è sufficientemente bassa o troppo alta	Impostazione errata della manopola di regolazione	- riportare la manopola in una posizione più alta
	La temperatura ambiente è superiore o inferiore all'intervallo climatico indicato nella tabella con le specifiche tecniche	- l'apparecchio è adatto al funzionamento nella fascia climatica indicata nella tabella con le specifiche tecniche.
	L'apparecchio è posizionato in un luogo soleggiato o vicino a fonti di calore	- spostare l'apparecchio in un altro luogo. Rispettare le linee guida contenute nel manuale
	Sono stati caricati troppi alimenti caldi alla volta	- attendere 72 ore affinché il cibo si raffreddi (congela) e raggiunga la temperatura richiesta all'interno della camera
	Circolazione dell'aria interna ostruita	- posizionare gli alimenti ed i contenitori in modo tale che non tocchino la parete posteriore del frigorifero
	La circolazione dell'aria sul retro dell'apparecchio è ostruita	- spostare l'apparecchio min. 30 mm di distanza dal muro
	La porta del frigorifero/congelatore viene aperta troppo spesso e/o rimane aperta troppo a lungo	- ridurre la frequenza di apertura della porta e/o accorciare il tempo in cui la porta rimane aperta
	La porta non si chiude completamente	- posizionare gli alimenti ed i contenitori in modo che non interferiscano con la porta chiusa
Il compressore viene acceso troppo raramente	- verificare che la temperatura ambiente non sia inferiore alla classe climatica	
	<u>Guarnizione della porta inserita in</u>	<u>- premere la guarnizione</u>

Durante il normale utilizzo del frigorifero si possono udire alcuni suoni che non ne pregiudicano il corretto funzionamento.

Suoni che possono essere facilmente prevenuti:

- rumore causato dall'apparecchio non in piano - regolare la posizione con i piedini anteriori ribaltabili regolabili. In alternativa, posizionare dei cuscinetti in materiale morbido sotto i rulli posteriori, soprattutto quando l'apparecchio è posizionato su piastrelle.
- toccando il mobile adiacente - allontanare il frigorifero.
- scricchiolio dei cassetti o dei ripiani - togliere e rimettere il cassetto o il ripiano.
- suoni di tintinnio di bottiglie: allontanare le bottiglie.

I rumori uditi durante il normale utilizzo sono dovuti principalmente al funzionamento del termostato, del compressore (accensione) e del sistema di raffreddamento (espansione e contrazione termica del radiatore causata dal flusso dell'agente refrigerante).

ISTRUZIONI PER L'INSTALLAZIONE

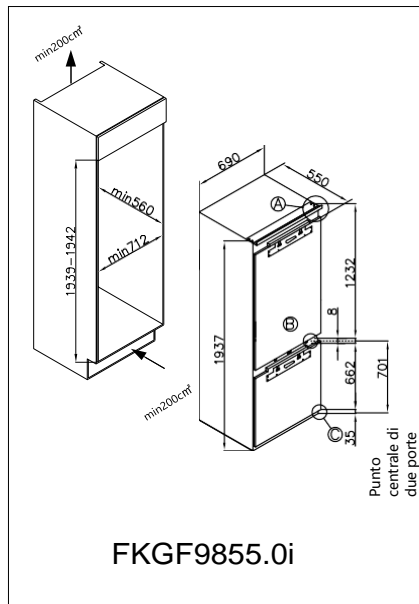
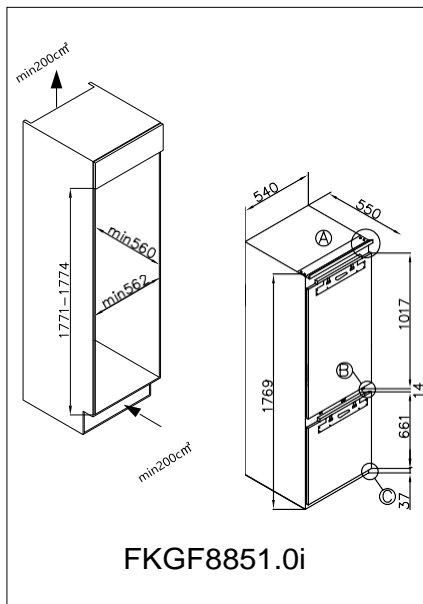
Preparazione dell'installazione

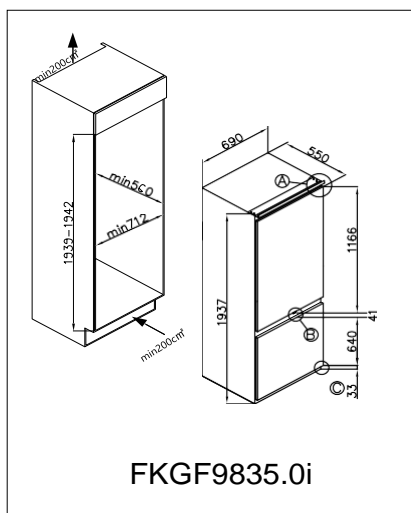
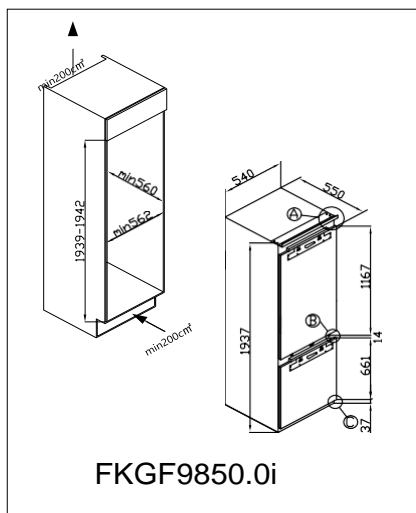
Questo apparecchio non deve mai essere installato vicino a fonti di calore, ad es. elementi riscaldanti o fornelli, né in luoghi umidi.

Chiedere l'aiuto di un'altra persona, o due, durante l'installazione di questo apparecchio. Questo apparecchio potrebbe avere bordi taglienti. Indossare DPI adeguati al compito e all'ambiente.

- Per garantire che l'apparecchio sia in piano, è necessario utilizzare i piedini regolabili in altezza nella parte anteriore dell'apparecchio.
- Il sistema di raffreddamento sul retro dell'apparecchio non deve toccare la parete posteriore. Maggiore è il divario, meglio è.
- L'apparecchio deve essere installato con una ventilazione adeguata. Assicurarsi che ci sia spazio sopra l'apparecchio per consentire all'aria di fuoriuscire e che ci sia spazio tra la parte posteriore dell'apparecchio e la parete.

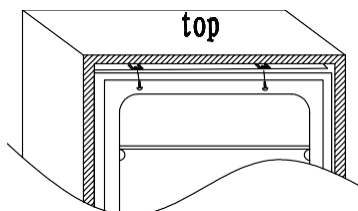
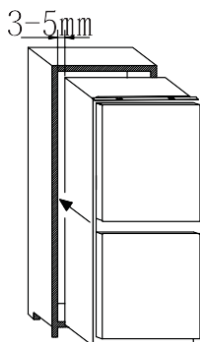
Disegno di installazione



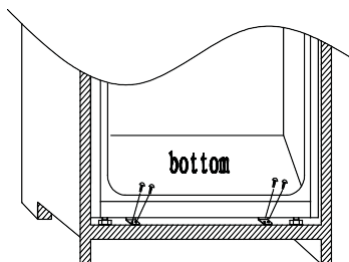


Istruzioni di installazione (cerniera scorrevole)

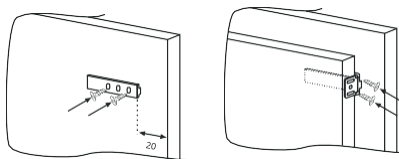
- 1) Inserire l'apparecchio nel mobile in legno, posizionandolo sul lato opposto delle cerniere, e garantire una distanza di 3-5 mm.
- 2) Dopo garantendo IL corrispondenza tra apparecchio porta E colonna porta, Poi vite la parte superiore dell'apparecchio al mobile.



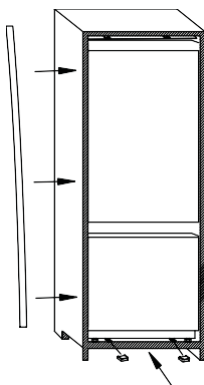
- 3) Avvitare la parte inferiore dell'apparecchio.



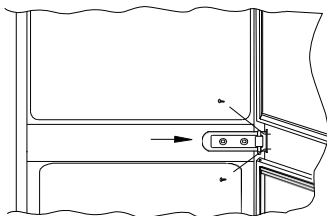
- 6) Fissare il cursore e la base del cursore sulla porta in legno e sulla porta dell'apparecchio



- 4) Montare la guarnizione sull'apparecchio, tagliare la parte eccedente se necessario. Montare le parti inferiori con coperture in plastica.

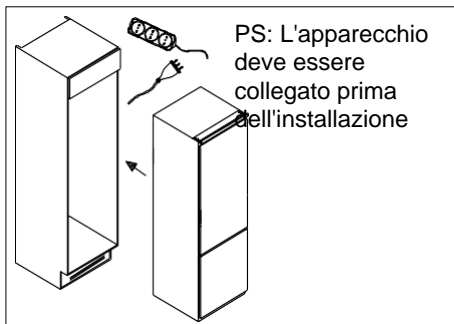


- 5) Usa un cacciavite a croce per allentare il perno di collegamento sotto la cerniera centrale destra e regolalo per avvitarlo sulla parete destra del mobile.

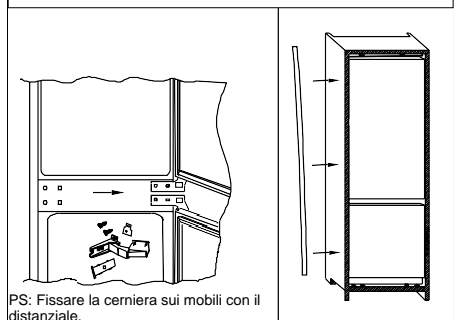


Istruzioni di installazione (cerniera FISSA)

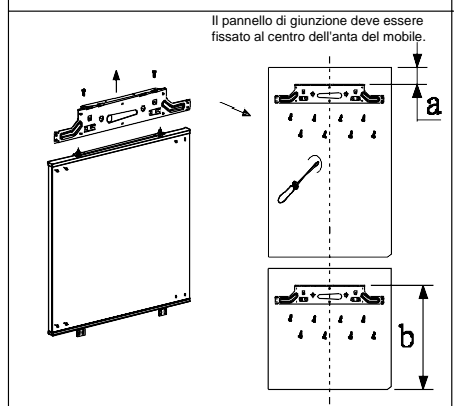
1. Spingere l'apparecchio nel mobile in legno, è meglio avvicinarlo al lato sinistro del mobile.



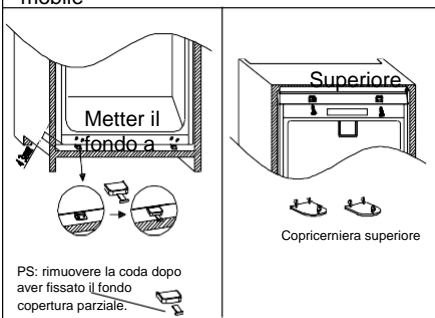
3. Fissare la cerniera sul mobile tramite vite, attaccare la striscia decorativa sul lato sinistro del prodotto.



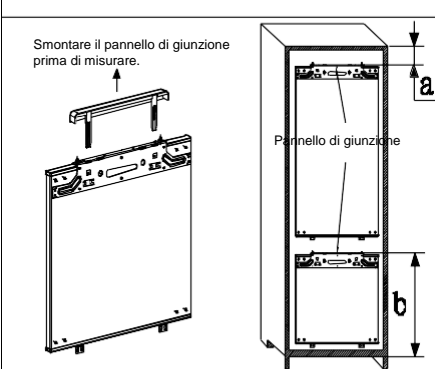
5. Fissare il pannello di giunzione sull'anta del mobile.



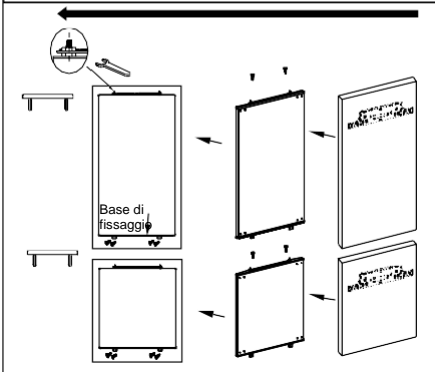
2. Regolare la posizione dell'apparecchio, avvitare la parte superiore e inferiore del prodotto sul mobile.



4. Misurare la dimensione su aeb.



6. Fissare la porta dell'apparecchio alla porta del mobile.



FKGF9850.0i

FKGF9855.0i

FKGF9835.0i

FKGF8851.0i

Küppersbusch

Küppersbusch Hausgeräte GmbH

Im Welterbe 2, D-45141 Essen

Telefon: (0209) 401-0

www.home-kueppersbusch.com

